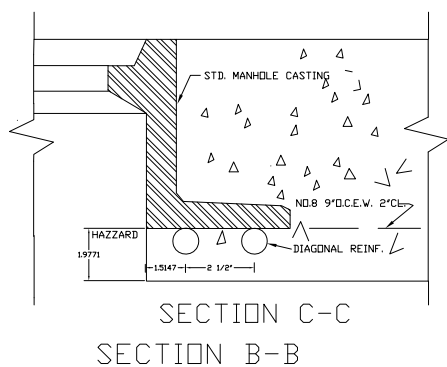
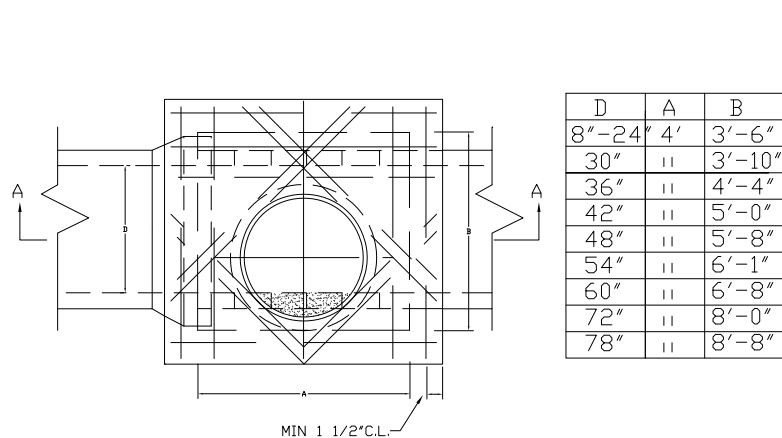


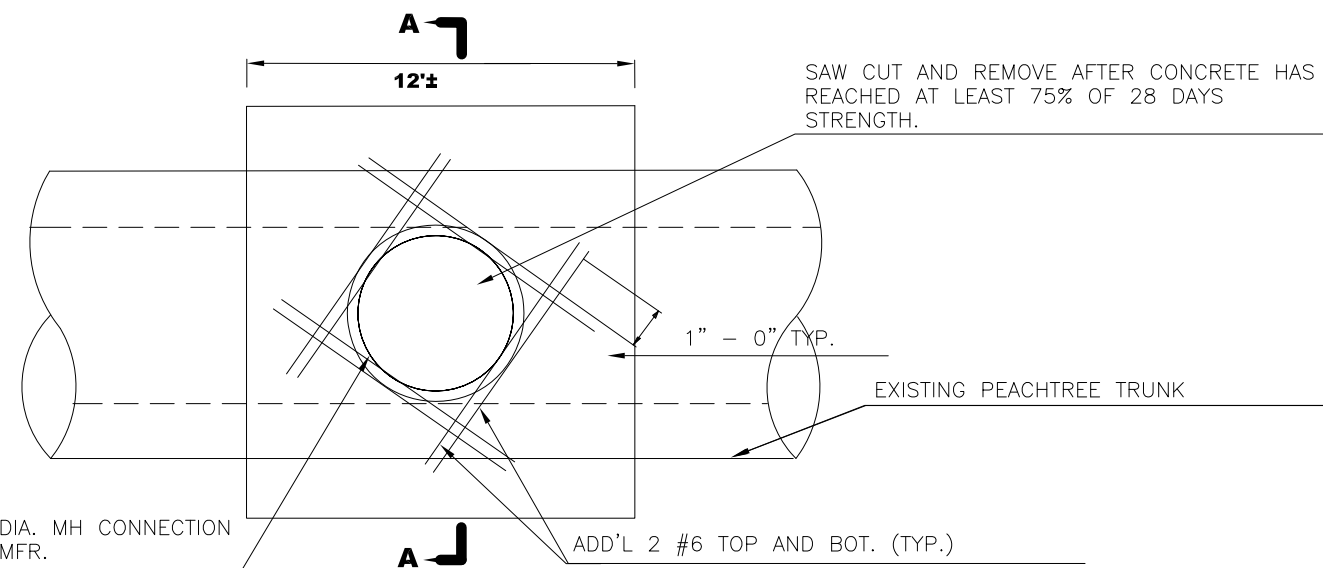
SECTION DETAIL

STANDARD PRECAST	
MANHOLE	1
N.T.S.	GC-1

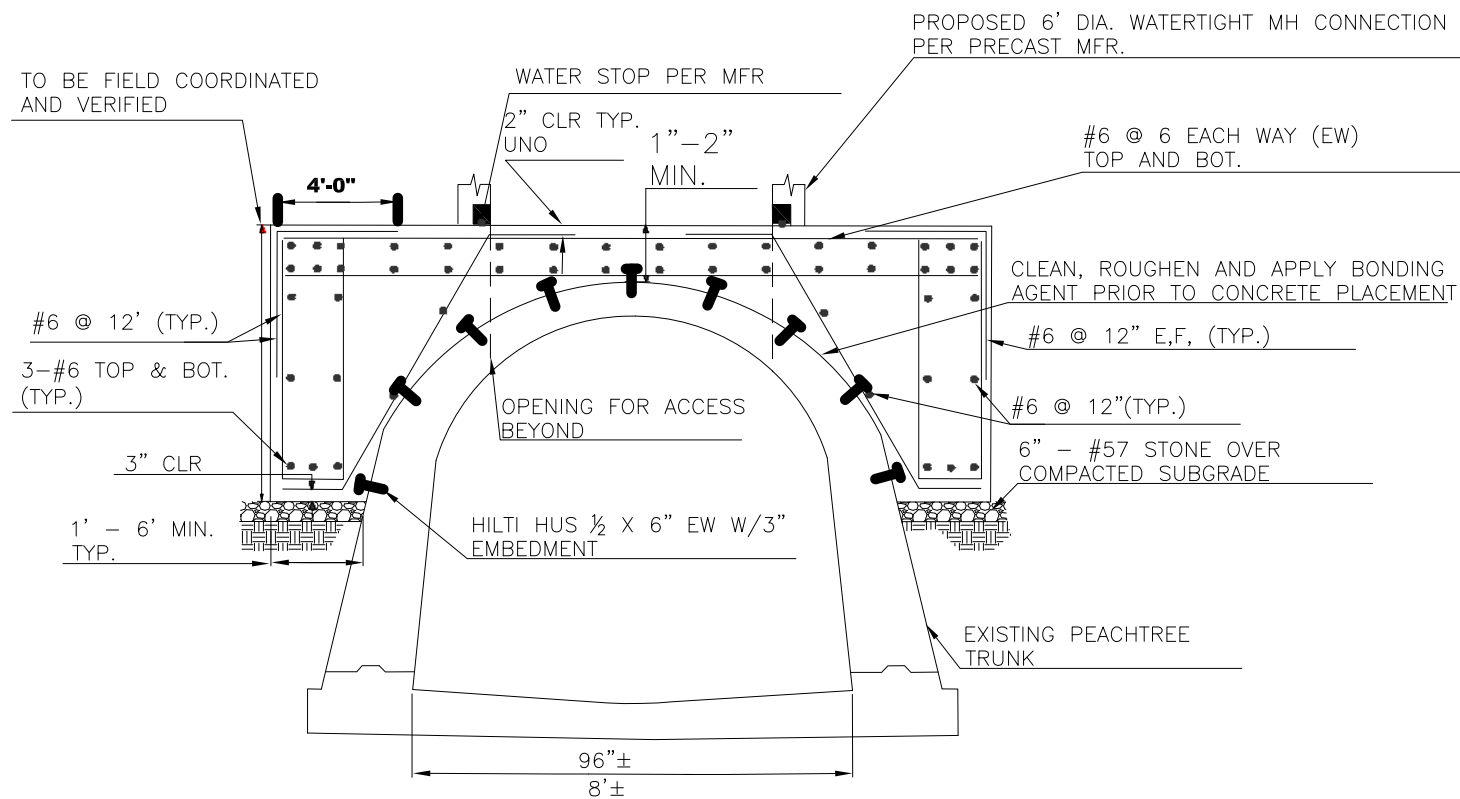
NOTE: PLACEMENT & DESIGN OF STEEL REINFORCEMENT IN RISER UNITS, CONE SECTIONS, GRADE RINGS AND JOINTS SHALL BE IN COMPLIANCE WITH A.S.T.M. C478 UNLESS OTHERWISE NOTED.



STANDARD SHALLOW MANHOLE FOR NON-VEHICULAR TRAFFIC	
N.T.S.	2
	GC-1



PLAN VIEW  
N.T.S.



SECTION A-A  
N.T.S.

BASE FOR ACCESS MANHOLE	3
N.T.S.	GC-1

REV	DATE	BY	DESCRIPTION
3	6-6-12	EW	REVISED ALL DETAILS
2	2-9-09	EW	REVISED DETAILS 3-6
1	1-27-09	EW	MODIFIED DETAIL 5

SCALE	N.T.S.
WARNING	IF THIS BAR DOES NOT EQUAL 1" THEN DRAWING IS NOT TO SCALE

DESIGNED	
DRAWN	
CHECKED	



CITY OF ATLANTA

PEACHTREE CREEK TRUNK STABILIZATION

SUPPLEMENTAL DETAILS - 1

SHEET

GC-1