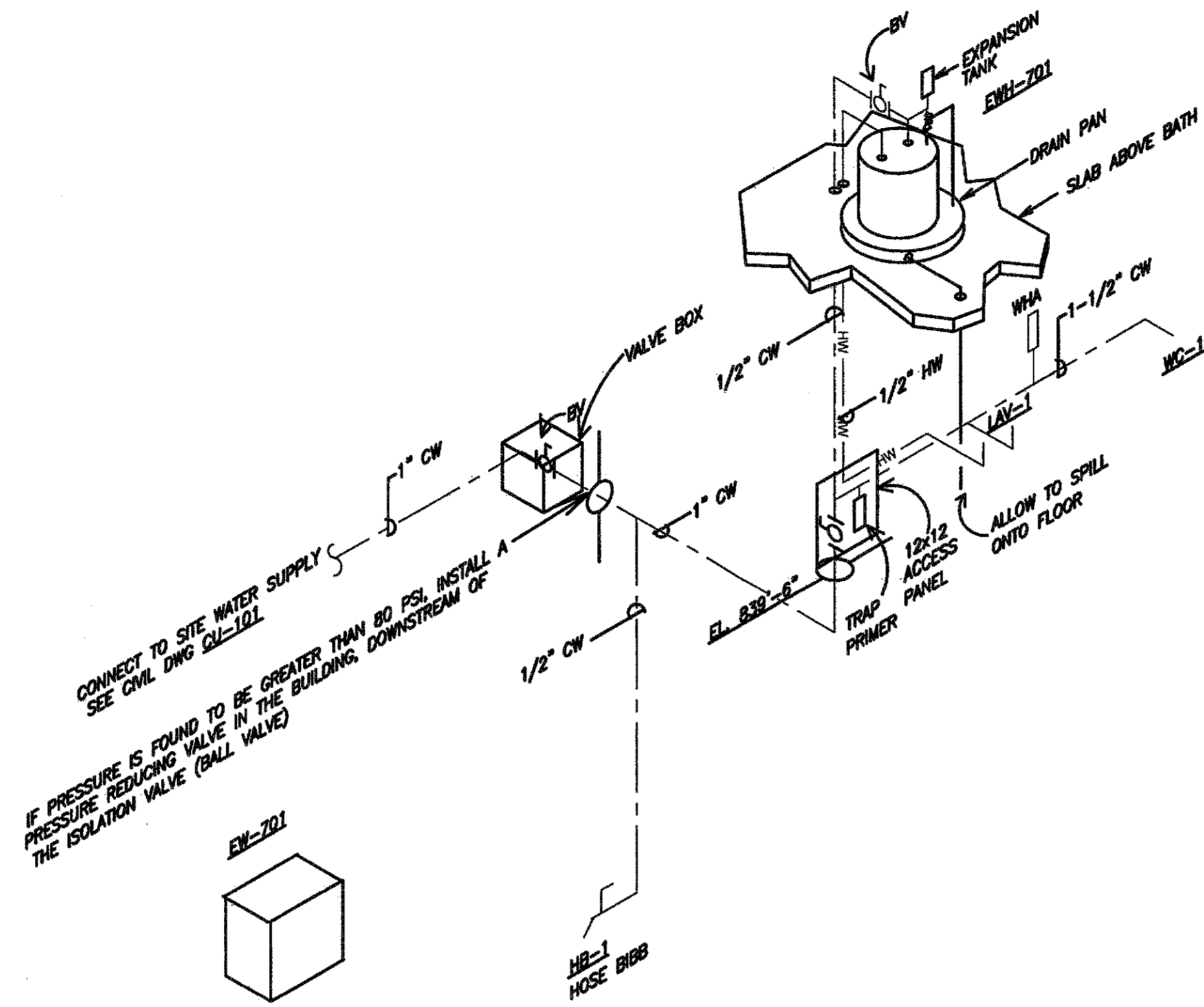


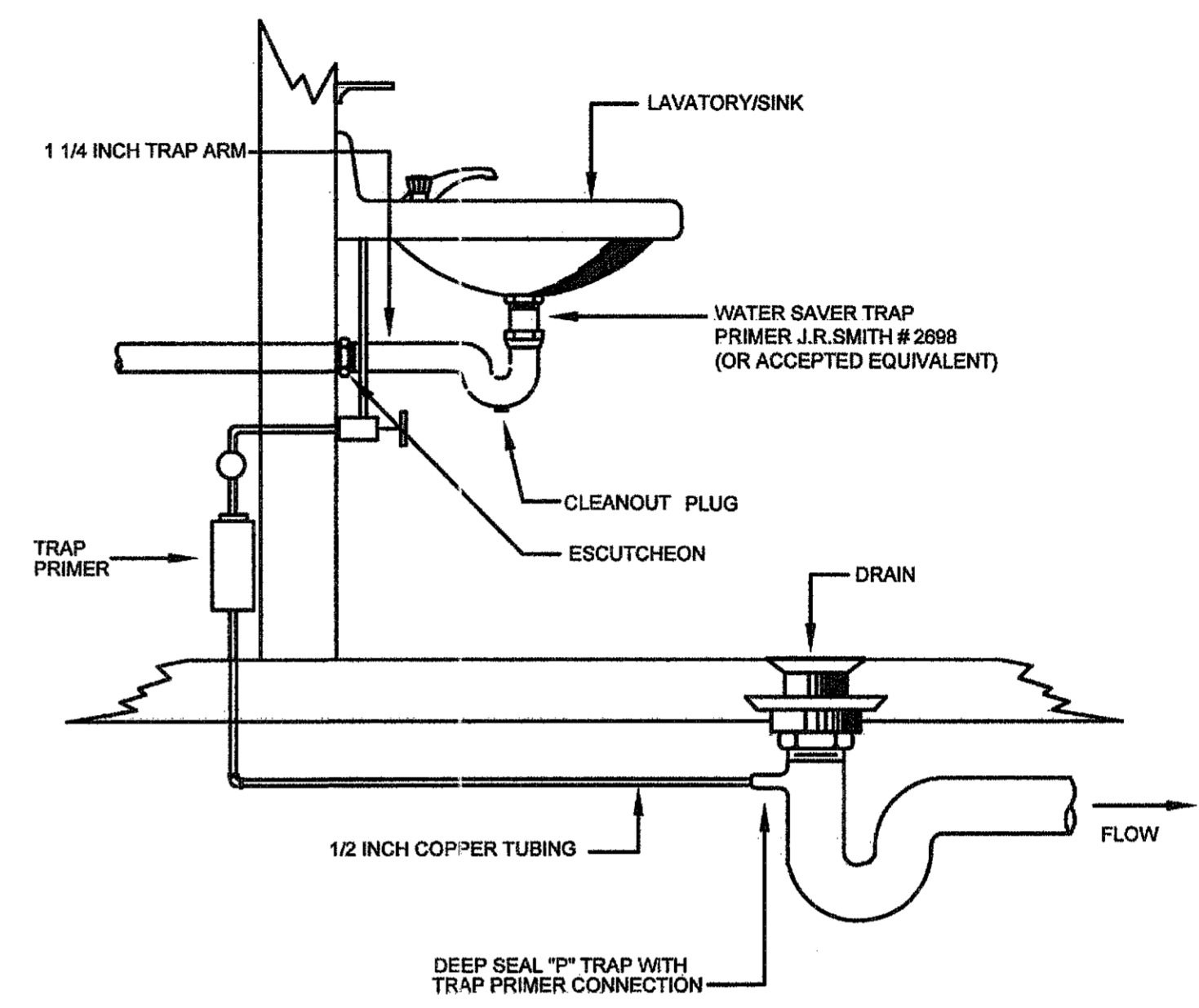
GENERAL PLUMBING NOTES

- ANCHOR EXPOSED VERTICAL WATER PIPES TO WALLS WITH HOT-DIPPED GALVANIZED UN-STRUT CHANNELS AND CUSHIONED SHOULDER BOLT CLAMP.
- INSTALL HORIZONTAL EXPOSED PIPES AS CLOSE TO THE CEILING AS POSSIBLE.
- HORIZONTAL WATER PIPING TO BE SLOPED TOWARD DRAIN VALVES.
- STORM WATER SYSTEM IS HANDLED WITH A GUTTER DOWN SPOUT SYSTEM. SEE ARCHITECTURAL DRAWINGS.
- THE DRAWINGS ARE GENERALLY INDICATIVE OF THE WORK TO BE INSTALLED AND DO NOT INDICATE ALL OFFSETS, FITTINGS AND SIMILAR DETAILS WHICH MAY BE REQUIRED. THE CONTRACTOR SHALL CAREFULLY INVESTIGATE THE STRUCTURAL AND FINISH CONDITIONS AFFECTING ALL WORK AND ARRANGE ALL HIS WORK ACCORDINGLY. FINISHING SUCH OFFSETS, FITTINGS, VALVES AND OTHER SIMILAR DETAILS AS MAY BE REQUIRED.
- CONTRACTOR SHALL BE RESPONSIBLE UNDER THIS SPECIFICATION FOR THE PROPER COORDINATION OF ALL WORK WITH THE RELATED WORK OF OTHER TRADES, CRAFTS, CONTRACTORS, SUBCONTRACTORS, ETC. EMPLOYED ON THE PROJECT, TO INSURE A COMPLETE, NEAT AND WORKMANLIKE INSTALLATION.
- THOROUGHLY READ SPECIFICATIONS BEFORE STARTING WORK OR ORDERING MATERIALS.
- DO NOT INSTALL PIPING ABOVE ELECTRICAL PANELS OR THROUGH ELECTRICAL OR DATA ROOMS.
- FLOOR DRAINS SHALL HAVE DEEP SEAL P-TRAPS.
- SEWER/WASTE PIPE (3" & LARGER) TO BE INSTALLED AT 1% (18" PER FT.) SLOPE, MINIMUM.
- VERIFY LOCATIONS & SIZES OF EXISTING SITE UTILITIES BEFORE COMMENCING WORK.
- PROVIDE AND INSTALL THERMOSTATIC MIXING VALVE WITH TEMPERATURE GAUGE NEAR WATER HEATER. SET VALVE OUTLET TEMPERATURE AT 110 DEGREES F.
- PLUMBING SYSTEM VENTS THROUGH ROOF TO BE TEN FEET (MINIMUM) FROM HVAC FRESH AIR INTAKES (OR ROOF TOP UNITS).
- PAINT EXPOSED PIPING TO MATCH SURROUNDINGS. COORDINATE EXACT REQUIREMENTS WITH SPECIFICATION AND/OR ARCHITECT.
- MANUFACTURER'S AND MODEL NUMBERS FOR PLUMBING EQUIPMENT ARE BASIS OF DESIGN. APPROVED EQUIVALENTS ARE PERMITTED.
- ALL DOMESTIC WATER SHUT-OFF VALVES TO BE INSTALLED FOR EASY ACCESS IN ALL SITUATIONS.
- COORDINATE ALL PLUMBING PIPING IN WALLS WITH THE STRUCTURAL DRAWINGS. SOME EXTERIOR AND INTERIOR WALLS MAY HAVE STRUCTURAL BRACING.
- EXTERIOR CLEAN-OUTS SHALL BE FLUSH WITH CONCRETE.
- ALL FLOOR DRAINS SHALL HAVE SQUARE TYPE STRAINERS.
- COORDINATE ALL BELOW SLAB PIPING WITH THE STRUCTURAL BEAMS AND FOOTING. DO NOT INSTALL PIPING UNTIL COORDINATED WITH STRUCTURAL DRAWINGS.
- COORDINATE ALL PLUMBING EQUIPMENT/FIXTURE REQUIREMENTS WITH THE CASEWORK DRAWINGS.

TAG	EQUIPMENT MFG./MODEL	CAPACITY	KW	VOLT	PHASE	MAX AMP	LOCATION
EWH-701	A.O. SMITH / DEL-6	6	1.5	120	1	12.5	JET MIX BLDG, ABOVE BATH



1 JET MIX PUMP STATION POTABLE WATER RISER DIAGRAM
P7-101 SCALE: NTS

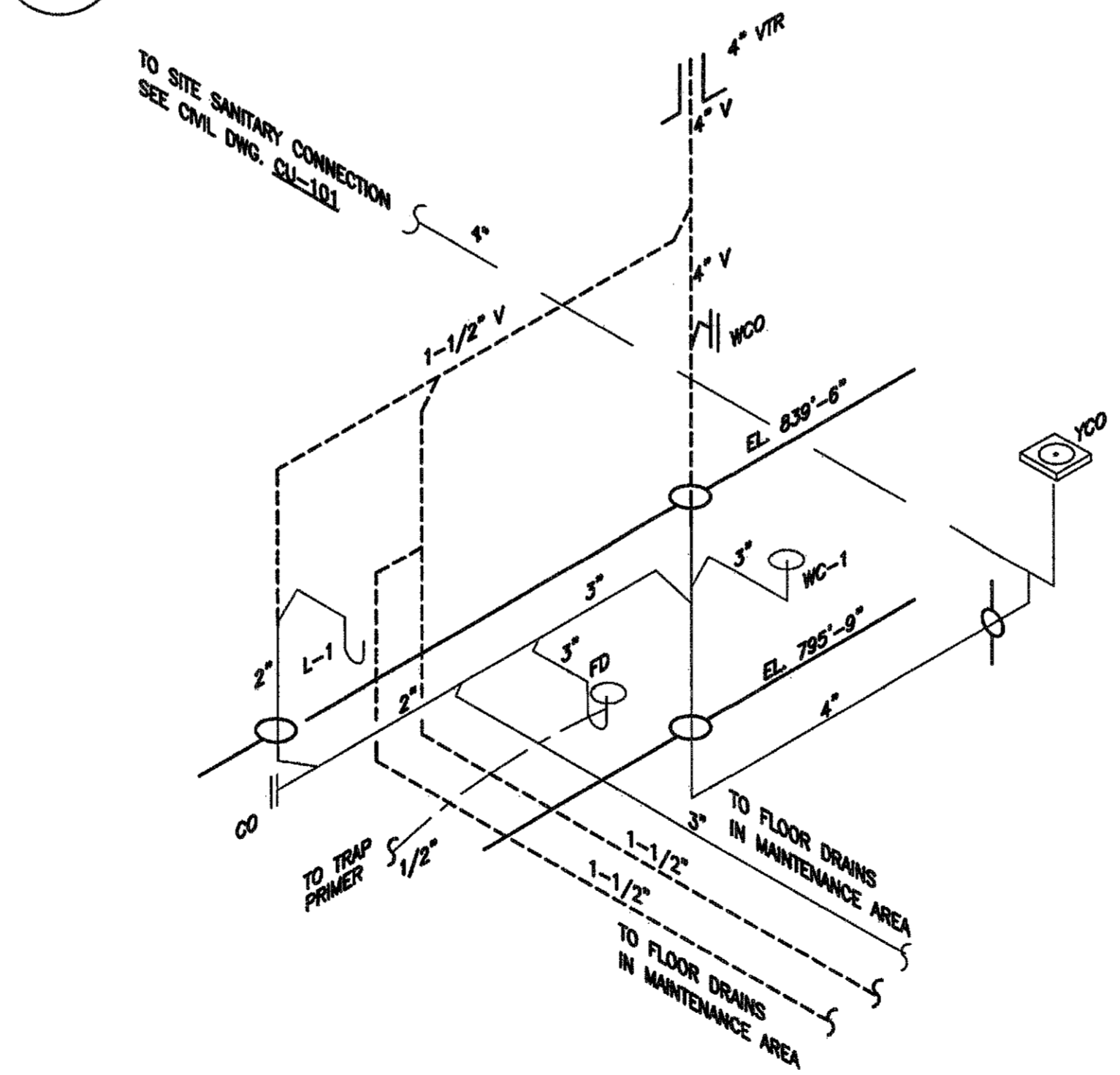


2 LAVATORY TRAP PRIMER DETAIL
P0-001 SCALE: NTS

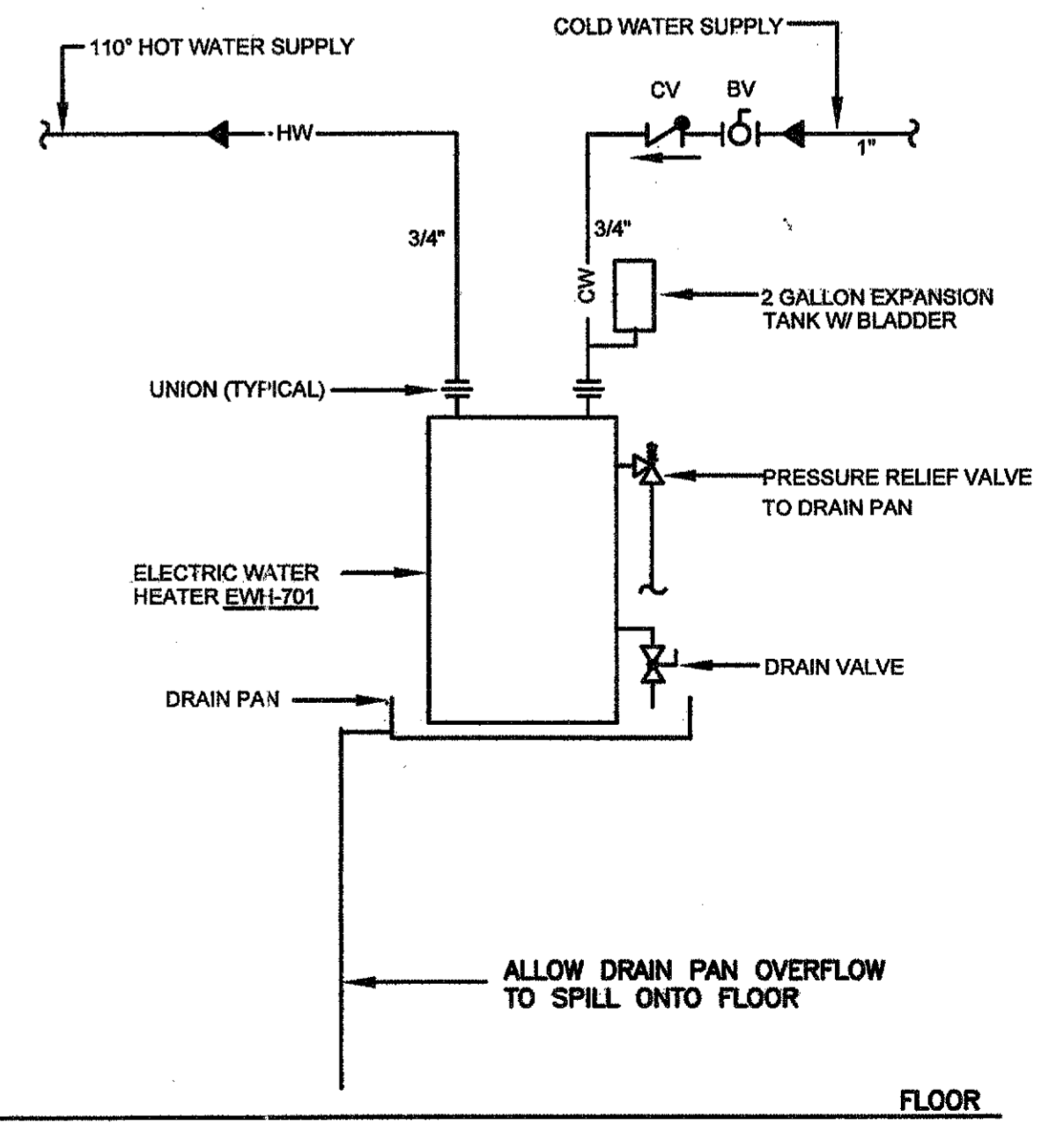
ABBREVIATIONS	ABBREVIATIONS
AFF	ABOVE FINISHED FLOOR
AIC	ABOVE CEILING/SLAB
B/S	BELOW SLAB
BFF	BELOW FINISHED FLOOR/SLAB
CO	CLEANOUT
CV	CHECK VALVE
CW	COLD WATER
DN	PIPE DOWN
DF	DRINKING FOUNTAIN
ET	EXPANSION TANK
EWH	ELECTRIC WATER HEATER
FCO	FLOOR CLEANOUT
FD	FLOOR DRAIN
FS	FLOOR SINK
GCO	GRADE CLEANOUT
GV	GATE VALVE
HC	BARRIER-FREE/ADA
HD	HUB DRAIN
HW	HOT WATER
KW	KILOWATT
KV	KITCHEN VENT
KW	KITCHEN WASTE
LAV	LAVATORY
WH	WALL HYDRANT
RH	ROOF HYDRANT
SA	SHOCK ARRESTER
SAN	SANITARY SEWER
T.P.	TRAP PRIMER
UR	URNAL
V	VENT
VTR	VENT THRU ROOF
W	WASTE
WB	WASH BASIN
WC	WATER CLOSET
WCO	WALL CLEANOUT

ABBREVIATIONS	ABBREVIATIONS
EW	EYE-WASH STATION
FT	FOOT/FEET
B/S	BELOW SLAB
HB	HOSE BIBB
HW	HOT WATER
MFG	MANUFACTURER
MAX	MAXIMUM
PRV	PRESSURE REDUCING VALVE
BLDG	BUILDING
NTS	NOT TO SCALE
WHA	WATER HAMMER ARRESTOR

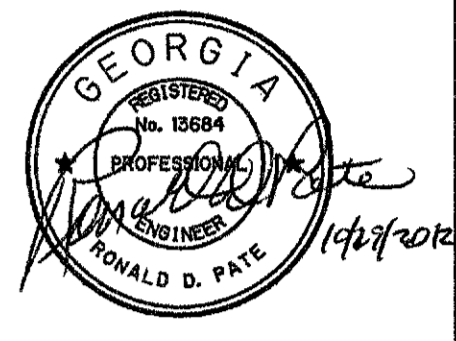
PLUMBING SYMBOLS and LEGEND	
— HW —	DOMESTIC COLD WATER
— HW —	HOT WATER (140°F)
— V —	VENT
— SAN —	SANITARY PIPE BELOW SLAB
— SAN —	SANITARY PIPE ABOVE SLAB
— KW —	KITCHEN GREASE WASTE PIPE BELOW SLAB
— W —	WASTE PIPE BELOW SLAB
— KV —	KITCHEN VENT
—	PIPE TURNING DOWN
—	PIPE TURNING UP
—	BALL VALVE, BV
—	CHECK VALVE, CV
—	HOSE BIBB, HB
—	FLOOR DRAIN W/ TRAP PRIMER, FD
—	FLOOR CLEANOUT
—	WALL CLEANOUT/END OF LINE CLEANOUT, CO
—	GRADE CLEANOUT
—	WATER HAMMER ARRESTOR (WHA)
—	DIRECTION OF FLOW (WATER)
—	DIRECTION OF SLOPE (SEWER)
—	PLUMBING FIXTURE NUMBER
—	HOT WATER MIXING VALVE
—	PRESSURE REDUCING VALVE (PRV)
—	BACKFLOW PREVENTER (BFP)
—	NON-FREEZE WALL HYDRANT (W.H.)
—	ROOF HYDRANT



3 JET MIX PUMP STATION SANITARY RISER DIAGRAM
P7-101 SCALE: NTS



4 ELECTRIC WATER HEATER EWH-701 DETAIL
P0-001 SCALE: NTS



PEACHTREE CREEK SOUTH FORK
RELIEF STORAGE AND PUMPING STATION

CITY OF ATLANTA
DEPARTMENT OF WATERSHED MANAGEMENT

REV	DATE	DESCRIPTION
0	10/26/12	100 PERCENT BID PACKAGE

THIS LINE IS ONE INCH LONG WHEN PLOTTED FULL SCALE

THIS DRAWING MUST BE USED IN CONJUNCTION WITH THE APPLICABLE GOVERNING TECHNICAL SPECIFICATIONS AND OTHER CONTRACT DOCUMENTS.

PROJECT NO: FC-6260
DATE: OCTOBER 2012

RESP PROF: RP
DESIGNER: DC
CHECKER: TB

SHEET TITLE
PLUMBING
00 - GENERAL
NOTES, SYMBOLS,
SCHEDULES AND RISERS

SHEET NO. P0-001 REV. 0