

1 2 3 4 5 6 7 8

F

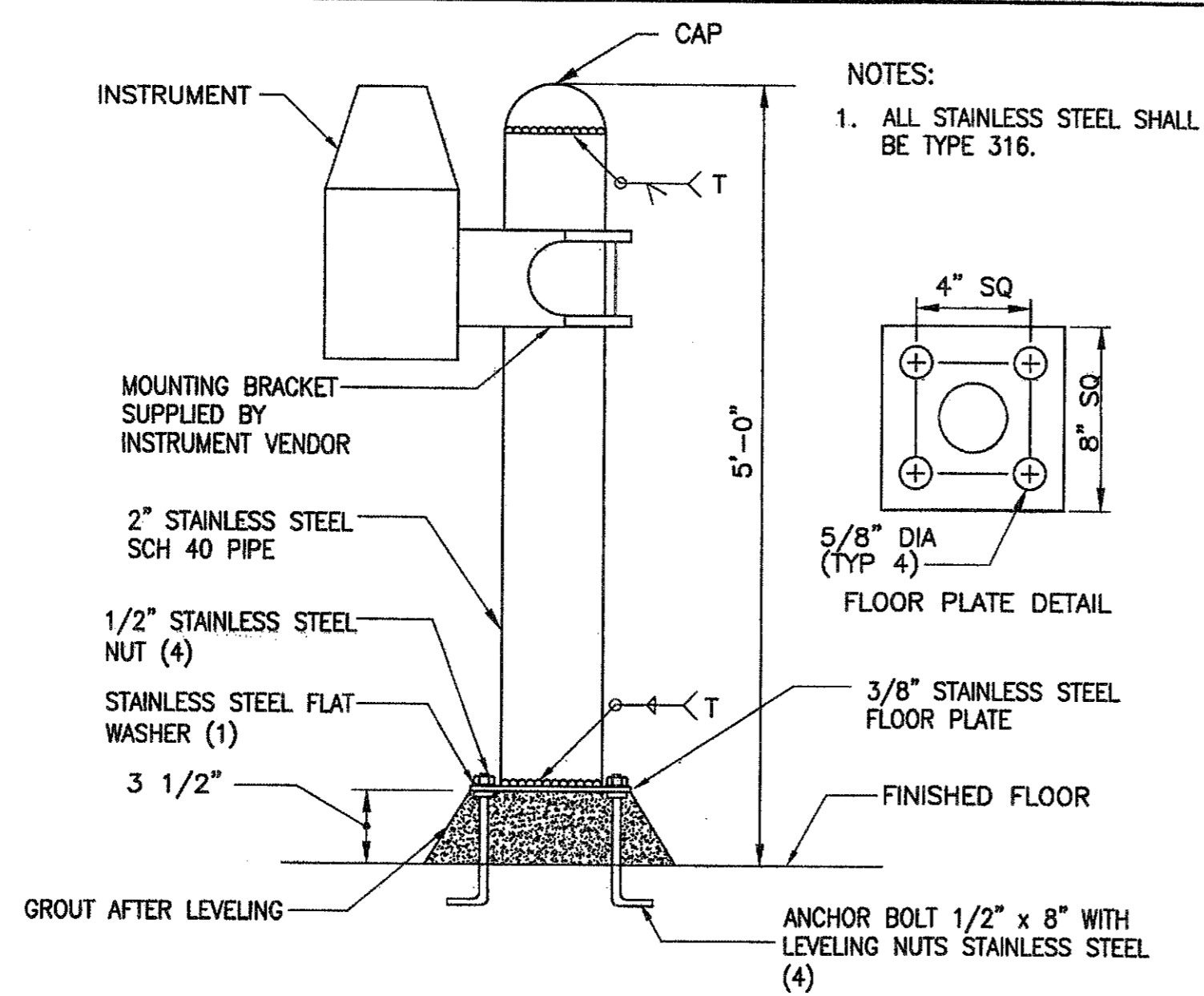
E

D

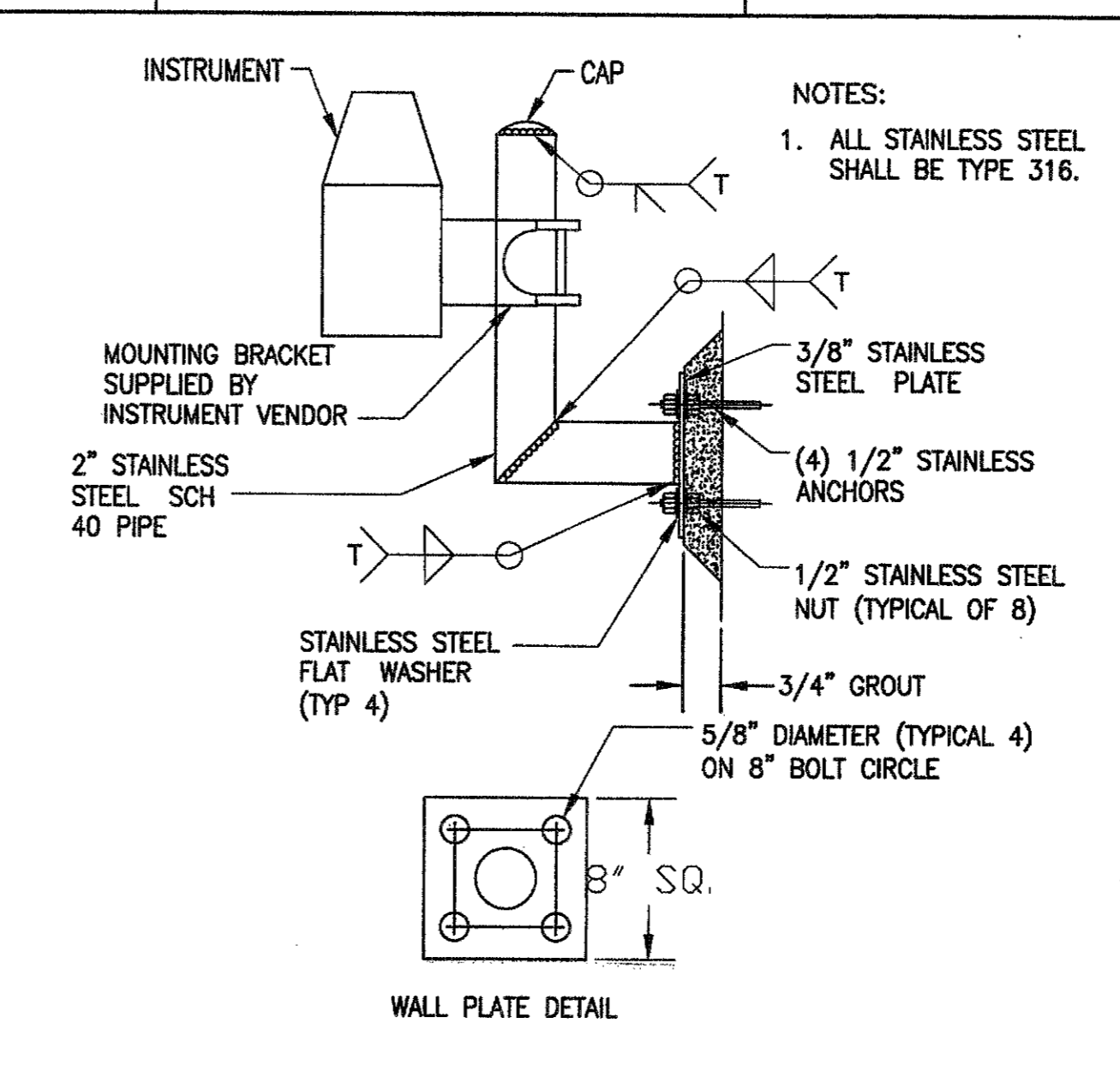
C

B

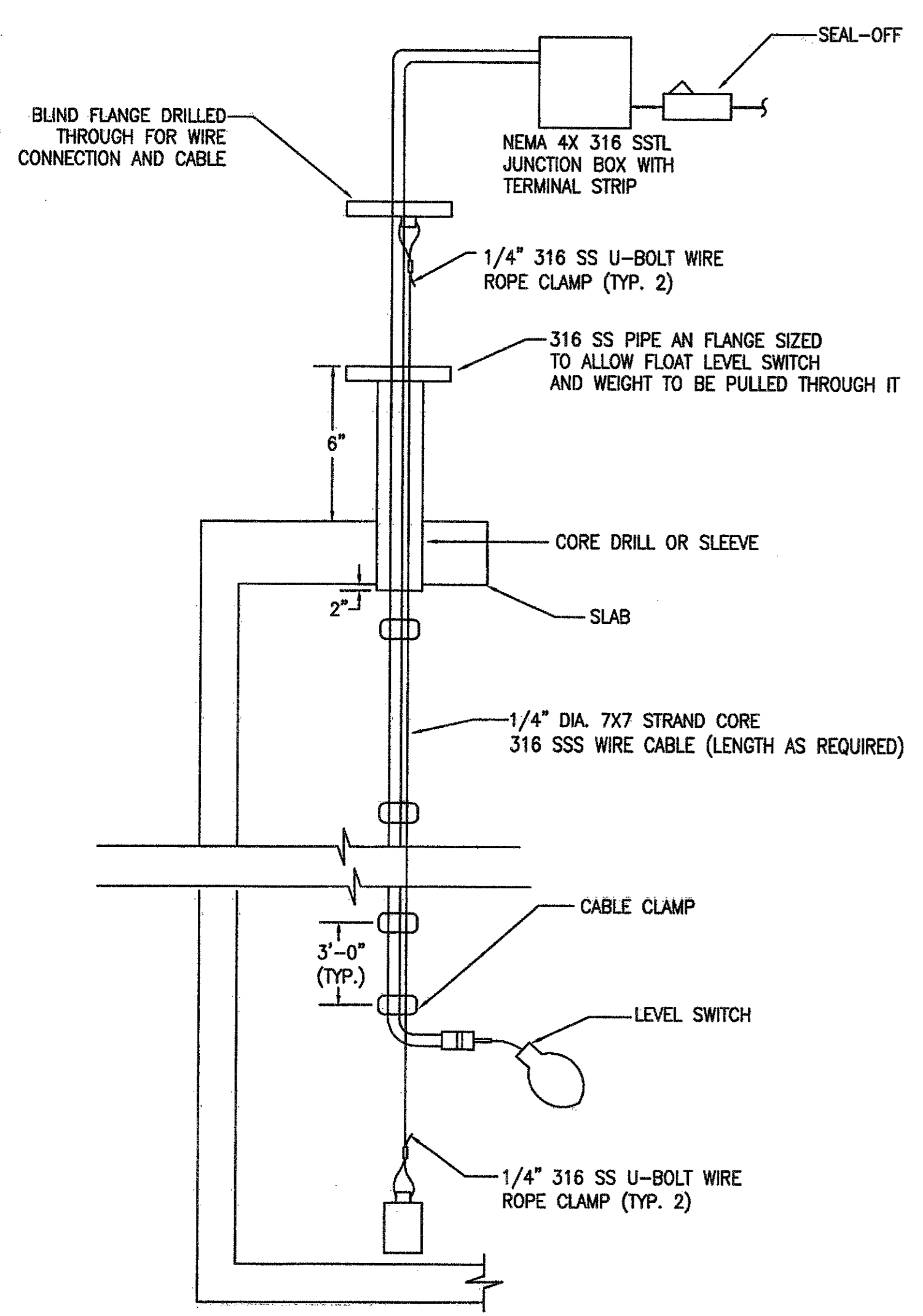
A



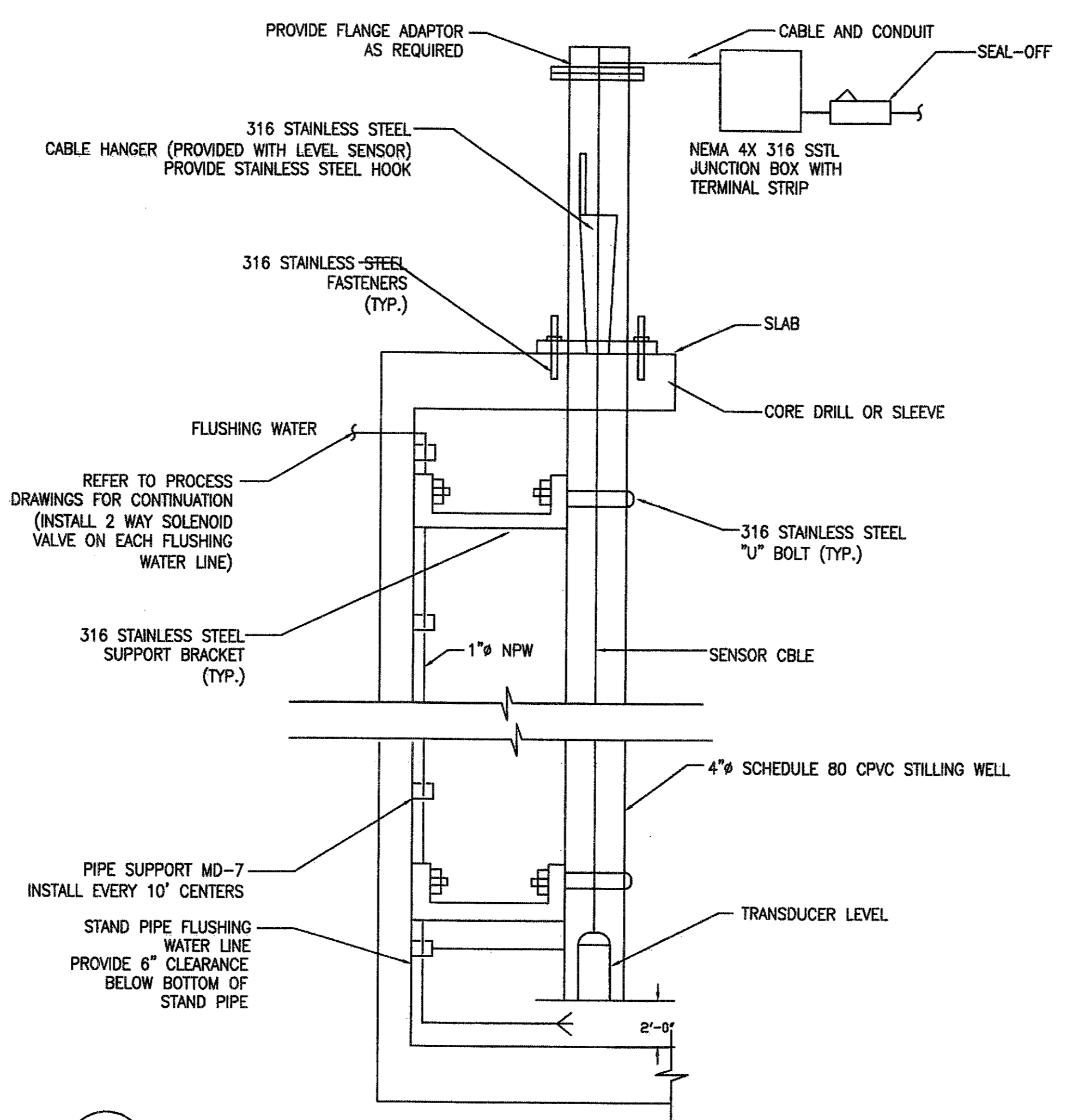
1 INSTRUMENT MOUNTING - FLOOR SUPPORT
1-601 SCALE: NONE



2 INSTRUMENT MOUNTING - WALL SUPPORT
1-601 SCALE: NONE

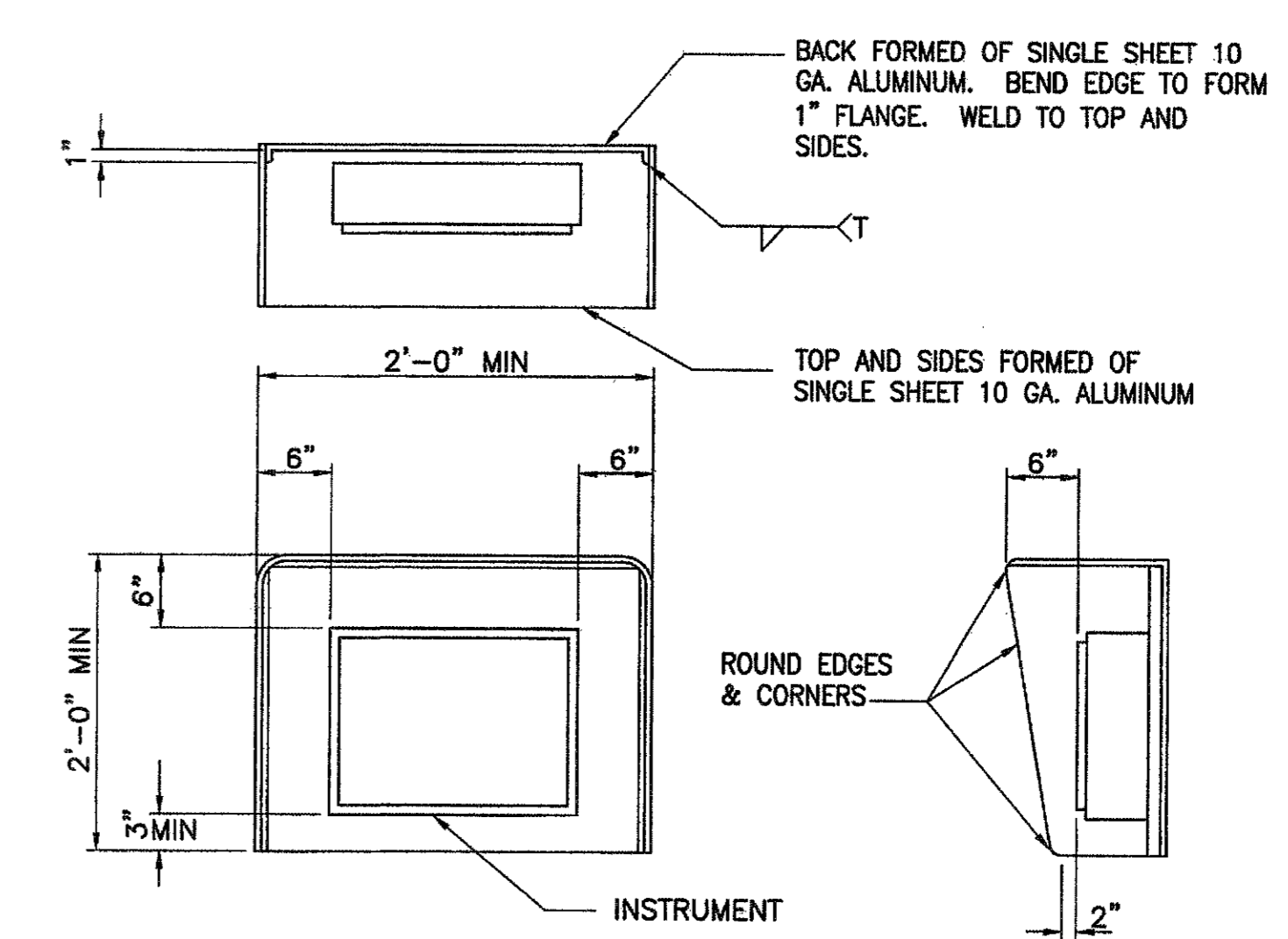


3 WETWELL FLOAT TYPE LEVEL SWITCH INSTALLATION
10-601 SCALE: NONE



4 SUSPENDED HYDROSTATIC LEVEL INSTRUMENT WETWELL INSTALLATION
10-601 SCALE: NONE

- GENERAL NOTES**
1. FLUSHING WATER LINES FOR THE HYDROSTATIC LEVEL TRANSMITTER WITH AUTOMATIC FLUSHING AT EACH STAND PIPE.
 2. SUPPORT STAND PIPE APPROXIMATELY EVERY 10 FEET VERTICALLY.
 3. DRILL STAND PIPE TO PROVIDE EQUALIZATION HOLES ON ALTERNATING SIDES EVERY FOOT VERTICALLY SO AS NOT TO CONFLICT WITH STAND PIPE SUPPORT BRACKETS.



- NOTES:**
1. ALL EXPOSED EDGES TO BE GRIND SMOOTH AND BURR FREE.
 2. MOUNT RAIN HOOD BETWEEN INSTRUMENT AND STANCHION. USE STAINLESS STEEL BOLTS AND INSULATING WASHERS AND SLEEVES.

5 SUN / RAIN HOOD
1-601 SCALE: NONE

Hatch Group



PEACHTREE CREEK SOUTH FORK
RELIEF STORAGE AND PUMPING STATION

CITY OF ATLANTA
DEPARTMENT OF WATERSHED MANAGEMENT

REV	DATE	DESCRIPTION
6	10/28/12	100 PERCENT BID PACKAGE
5		
4		
3		
2		
1		

THIS LINE LONG WHEN PLOTTED FULL SCALE
THIS DRAWING MUST BE USED IN CONJUNCTION WITH THE APPLICABLE OR GOVERNING TECHNICAL SPECIFICATIONS AND OTHER CONTRACT DOCUMENTS.

PROJECT NO: FC-6260
DATE: OCTOBER 2012
RESP PROF: KCV
DESIGNER: WHP
CHECKER: BLB

SHEET TITLE
INSTRUMENTATION
00 - GENERAL
DETAILS

SHEET NO. 1-601 REV. 0