

F

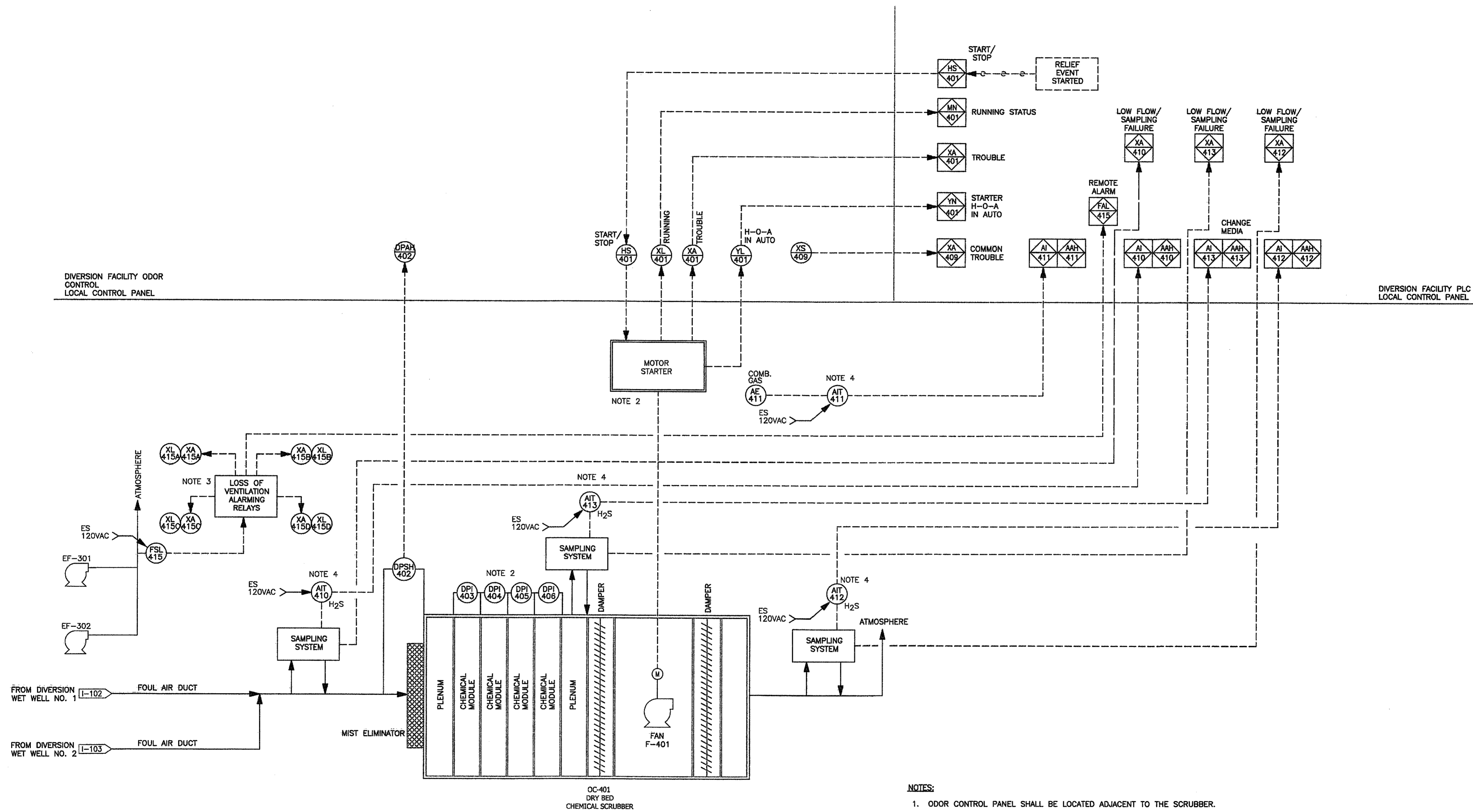
E

D

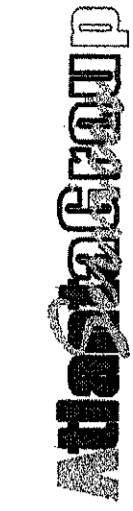
C

B

A



- NOTES:**
- ODOR CONTROL PANEL SHALL BE LOCATED ADJACENT TO THE SCRUBBER.
  - ALL CONTROLS ASSOCIATED WITH ODOR CONTROL SYSTEM FURNISHED BY VENDOR INCLUDING ODOR CONTROL FAN MOTOR STARTER.
  - LOSS OF VENTILATION ALARMING RELAYS ARE LOCATED IN DIVERSION FACILITY ELECTRICAL BUILDING AS PART OF THE PLC LOCAL CONTROL PANEL PLC-101. PROVIDE LOCAL ALARMING PER NFPA 820, CHAPTER 7 VENTILATION. PROVIDE VISUAL AND AUDIBLE ALARMS (STROBE LIGHTS AND HORNS) INSIDE THE VENTILATED AREA AND AT ALL INGRESS/EGRESS POINTS TO THE VENTILATION EQ AREA BEING DECLASSIFIED. DIVERSION LOSS OF VENTILATION ALARMS SHALL ALSO ACTIVATE WHEN EITHER WET WELL'S GAS MONITORING PANEL IS IN ALARM.
  - ALL H<sub>2</sub>S AND COMBUSTIBLE GAS DETECTORS TO BE HOUSED IN A LOCAL GAS MONITORING PANEL "OCGMP-410" THAT SHALL PROVIDE LOCAL INDICATION AND ALARMING AND WILL ALSO BE WIRED TO THE PLANT CONTROL SYSTEM PLC.



PEACHTREE CREEK SOUTH FORK  
RELIEF STORAGE AND PUMPING STATION

CITY OF ATLANTA  
DEPARTMENT OF WATERSHED MANAGEMENT

REV	DATE	DESCRIPTION
0	10/28/12	100 PERCENT BID PACKAGE

THIS LINE IS ONE INCH LONG WHEN PLOTTED FULL SCALE

THIS DRAWING MUST BE USED IN CONJUNCTION WITH THE APPLICABLE OR GOVERNING TECHNICAL SPECIFICATIONS AND OTHER CONTRACT DOCUMENTS.

PROJECT NO: FC-6260  
DATE: OCTOBER 2012

RESP PROF: KCV    DESIGNER: WHP    CHECKER: BLB

SHEET TITLE  
INSTRUMENTATION  
03 - DIVERSION PUMP STATION  
ODOR CONTROL P&ID

SHEET NO. I-106    REV. 0