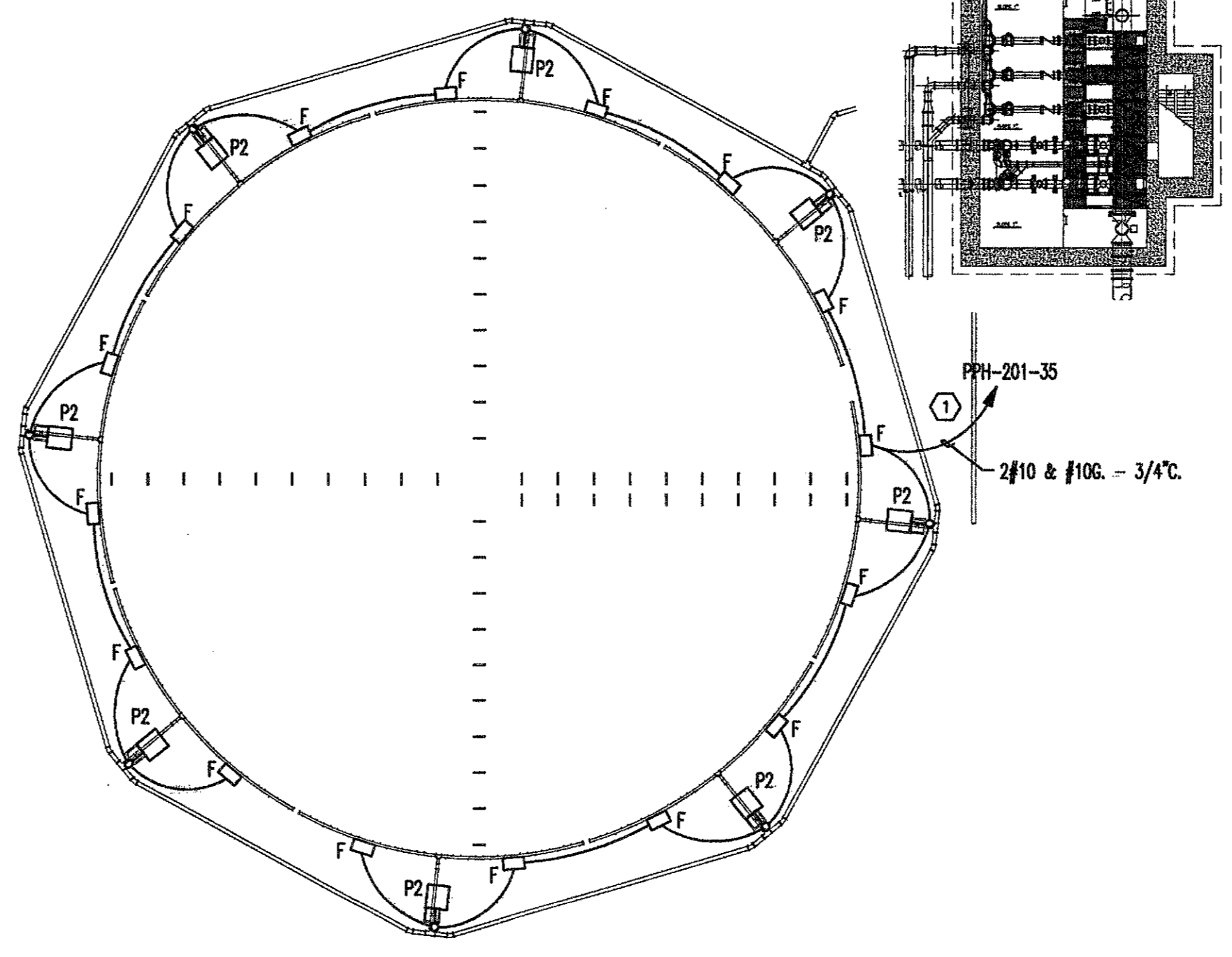
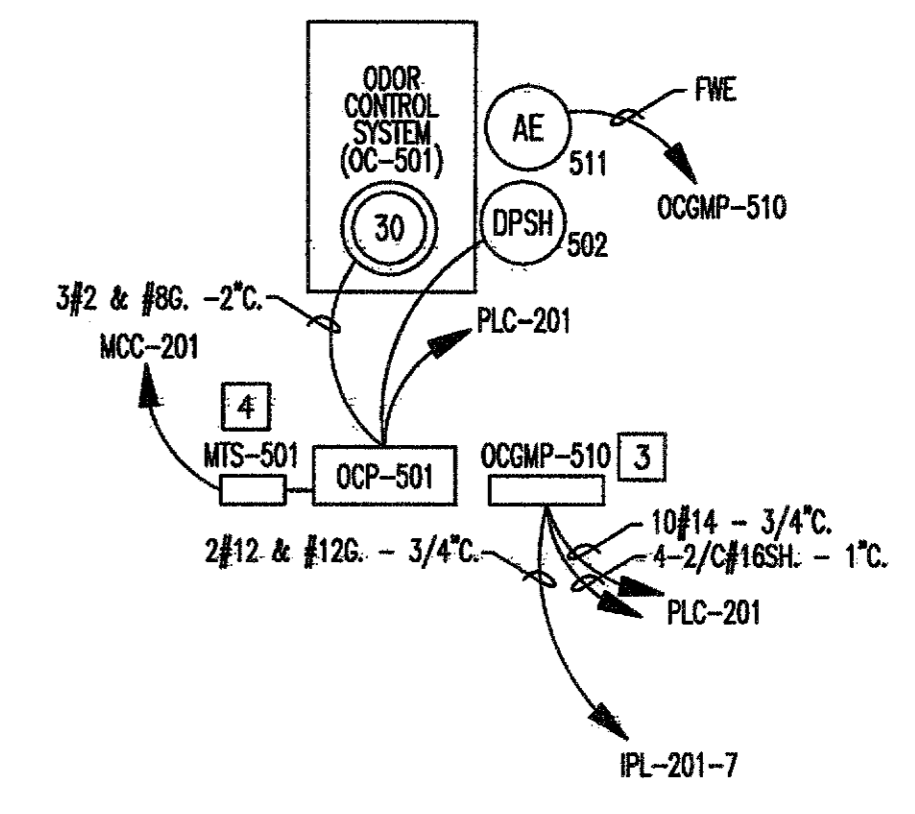


1 ELECTRICAL GROUNDING AND POWER PLAN
E8-101 SCALE: 1/32"=1'-0"



2 ELECTRICAL LIGHTING TANK PLAN
E8-101 SCALE: 1/32"=1'-0"



3 ODOR CONTROL POWER PLAN
E8-101 SCALE: NOT TO SCALE

GROUNDING KEY NOTES:

- 1 GROUND LOOP BURIED 30" BELOW GRADE AND 3' OUTSIDE FOUNDATION.
- 2 GROUNDING RODS SHALL BE SPACED APPROXIMATELY 50' O.C. MAX WITH TOP OF ROD 30" BELOW FINISHED GRADE.

GROUNDING NOTES:

- 1. CONTRACTOR SHALL PROVIDE A PVC SLEEVE AT EACH GROUND CABLE PENETRATING THROUGH CONCRETE SLAB.
- 2. EQUIPMENT BONDING GROUNDING CONDUCTORS SHALL BE PER SPECIFICATION 16450.
- 3. GROUNDING TAP CONDUCTORS TO MAJOR ELECTRICAL EQUIPMENT SHALL BE #4/0 BARE COPPER. GROUNDING LOOP CONDUCTORS SHALL BE EXTENDED TO MAIN WATER PIPE AND TO BUILDING STRUCTURAL STEEL.
- 4. GROUNDING TAP CONDUCTOR TO MINOR EQUIPMENT INCLUDING STEP DOWN TRANSFORMER, VFDs, CONTROL PANELS, ETC. SHALL BE #2/0 BARE COPPER.
- 5. REFER TO SHEET E0-602 FOR GROUNDING INSTALLATION DETAILS AND NOTES.

POWER AND CONTROL KEY NOTES:

- 1 EXACT LOCATION OF MOTORS, DEVICES AND EQUIPMENT TO BE DETERMINED USING VENDOR AND/OR CONSTRUCTORS DRAWINGS. VENDORS DRAWINGS SHALL BE USED AS REQUIRED TO DETERMINE, COORDINATE AND VERIFY ENTRY OF RACEWAYS AND TERMINATION OF CONDUCTORS FOR VENDOR EQUIPMENT.
- 2 SEE CONDUCTORS/CONDUITS SCHEDULE, DWG E7-101, FOR CABLE AND CONDUIT SIZES.
- 3 ODOR CONTROL PANEL OCP-501 AND ODOR CONTROL GAS MONITORING PANEL OCGMP-510 SHALL BE MOUNTED A MINIMUM OF 3'-0" FROM ALL ODOR CONTROL EQUIPMENT.
- 4 480VAC, 3 PHASE, 100A MANUAL TRANSFER SWITCH PROVIDED WITH GROUNDED QUICK DISCONNECT FOR PORTABLE GENERATOR. NEMA 4X. CONTRACTOR TO COORDINATE EXACT QUICK DISCONNECT TYPE WITH OWNER FURNISHED GENERATOR.

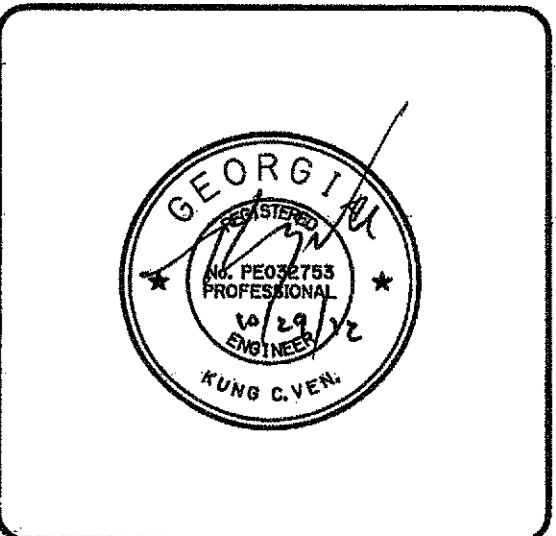
LIGHTING KEY NOTES:

- 1 RUN CIRCUIT VIA LIGHTING CONTACTOR 'LC-201', CONTROLLED VIA PHOTOCELL/TIMELOCK. REFER TO PHOTOCELL/TIMELOCK CONTROL DIAGRAM ON SHEET E0-601 FOR ADDITIONAL INFORMATION.

GENERAL NOTES:

- 1. SEE DRAWING E7-601 FOR PANELBOARD SCHEDULES.
- 2. SEE DRAWINGS E7-103 FOR LOCATION OF MCC AND PANELS.
- 3. CABLE AND CONDUIT SIZES FOR MOTORS AND OTHER DEVICES CONNECTED TO ELECTRICAL EQUIPMENT LIKE MCC'S, VFD'S, RVSS DRIVES ARE SHOWN ON SINGLE LINE DRAWING ONLY (E3-101).
- 4. CONTRACTOR SHALL COORDINATE EXACT LOCATION OF ALL DEVICES PRIOR TO ROUGH-IN.
- 5. BRANCH CIRCUIT CONDUITS MAY ALSO BE EMBEDDED IN CONCRETE SLAB.
MINIMUM SIZE CONDUIT EXPOSED SHALL BE 3/4".
MINIMUM SIZE CONDUIT IN SLAB SHALL BE 1".
- 6. SEE DRAWING E0-003 FOR AREA CLASSIFICATION.
- 7. CONDUIT, BOXES, FITTINGS AND SUPPORTS SHALL BE SUITABLE FOR HAZARDOUS AND/OR CORROSIVE AREAS AS SPECIFIED ON THE AREA CLASSIFICATIONS DRAWING.

32' 16' 0 32'
SCALE: 1/32" = 1'-0"



PEACHTREE CREEK SOUTH FORK
RELIEF STORAGE AND PUMPING STATION
CITY OF ATLANTA
DEPARTMENT OF WATERSHED MANAGEMENT

REV	DATE	REVISION DESCRIPTION
0	10/28/12	100 PERCENT BID PACKAGE

THIS LINE IS ONE INCH LONG WHEN PLOTTED FULL SCALE.
THIS DRAWING MUST BE USED IN CONJUNCTION WITH THE APPLICABLE OR GOVERNING TECHNICAL SPECIFICATIONS AND OTHER CONTRACT DOCUMENTS.
PROJECT NO: FC-6260
DATE: OCTOBER 2012
RESP PROF: KCV DESIGNER: AWP CHECKER: WFR
SHEET TITLE: ELECTRICAL
08 - EQUALIZATION TANK
PLANS
SHEET NO. E8-101 REV. 0