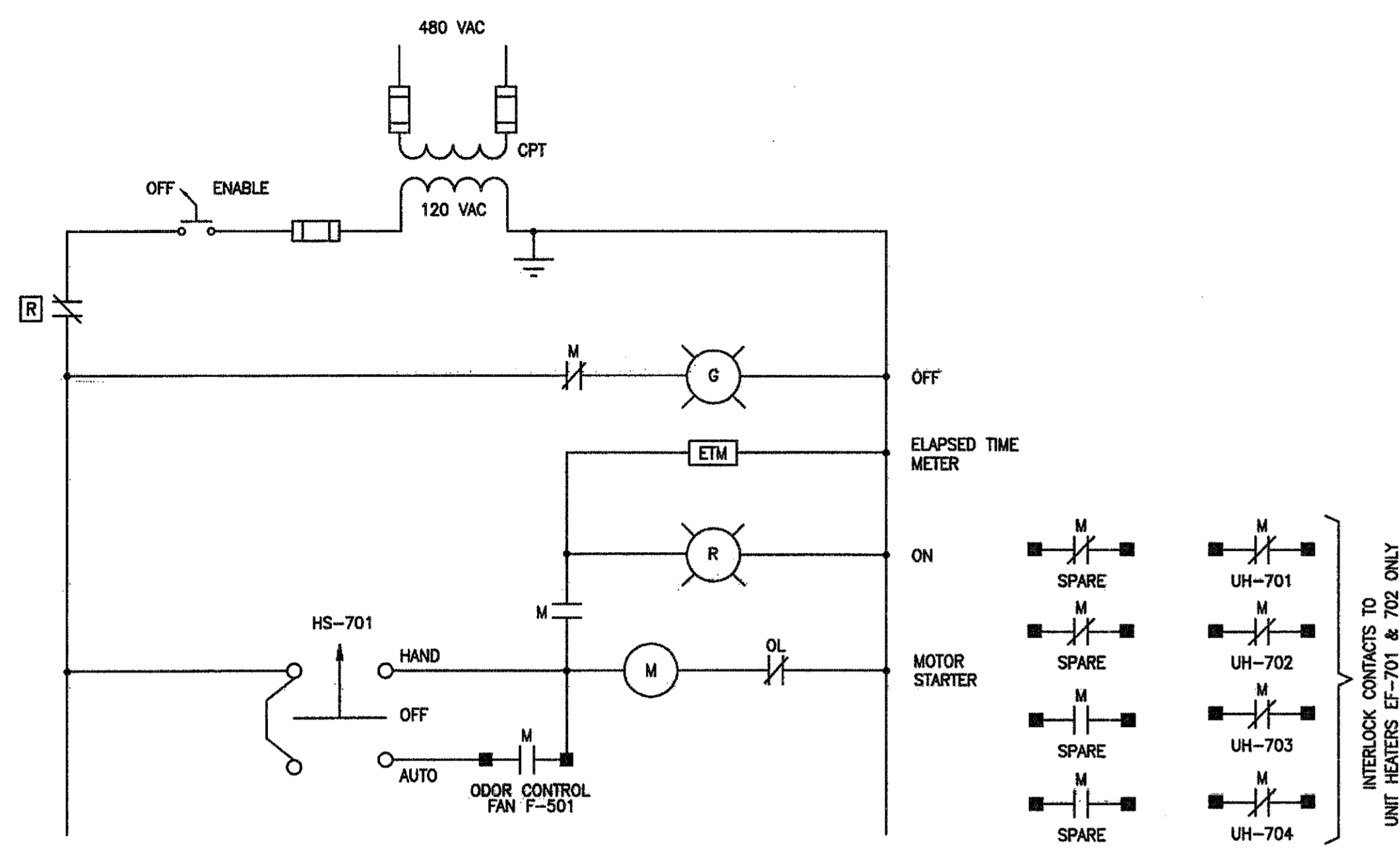


F



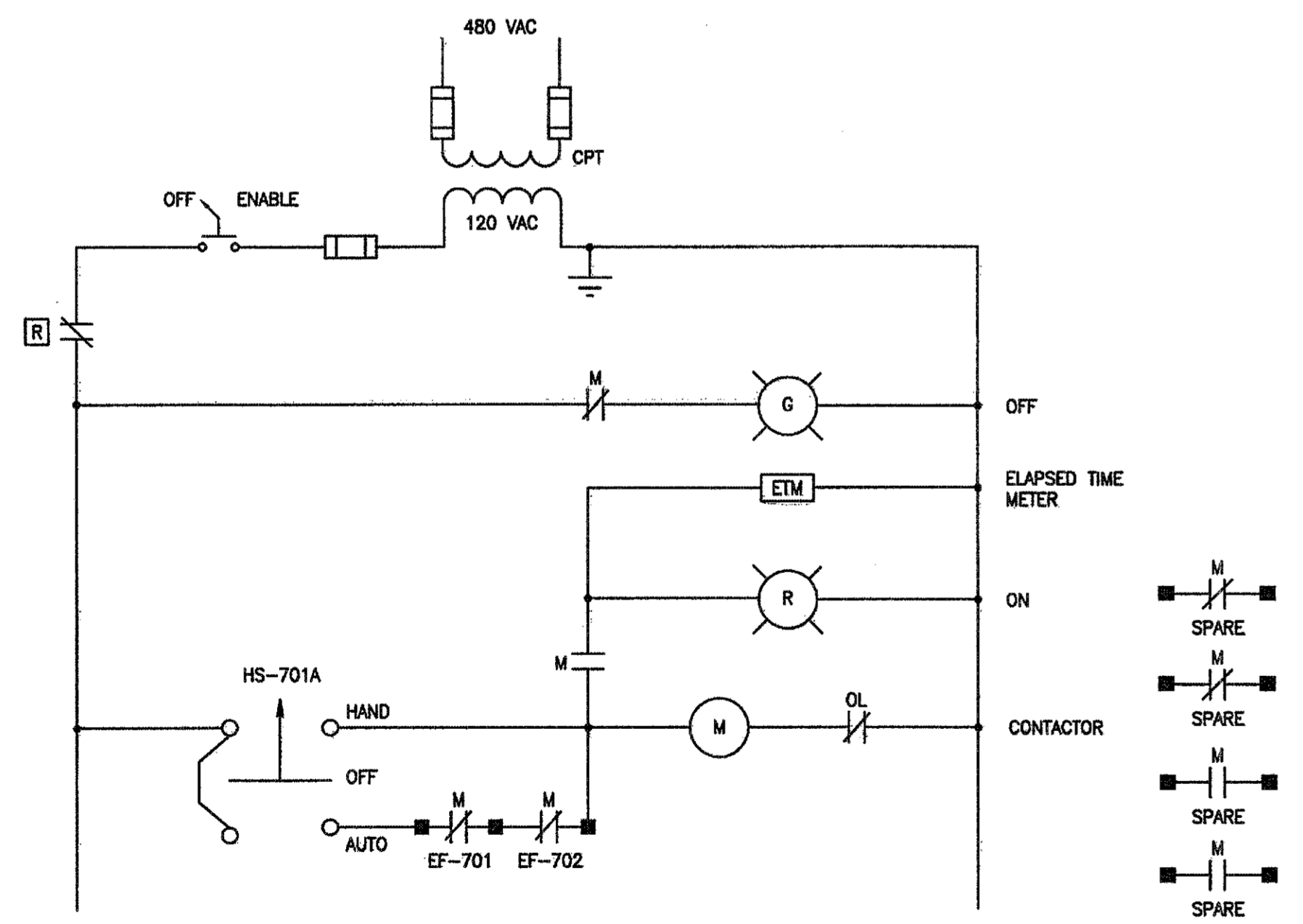
JET MIXING PUMP STATION EXHAUST FANS (EF-701, 702, 704, 705)

THE ELEMENTARY CONTROL DIAGRAM IS SHOWN FOR EF-701. ALL DEVICES ARE LOCATED IN MCC UNLESS NOTED OTHERWISE. THE CONTROL DIAGRAM IS TYPICAL AND APPLICABLE TO THE EQUIPMENT INDICATED IN THE TABLE BELOW.

EQUIPMENT TAG NO.	STARTER AT MCC	SELECTOR SWITCH ON MCC FRONT
EF-701	MCC-201	HS-701
EF-702	MCC-201	HS-702
EF-704	MCC-201	HS-704
EF-705	MCC-201	HS-705

- CONNECTION AT MCC
 - R FIRE ALARM SYSTEM SHUTDOWN RELAY
- REFERENCE DRAWINGS
- H0-603 HVAC FAN SCHEDULE
 - H7-101 JET MIXING PUMP STATION HVAC PLAN
 - E7-101 JET MIXING PUMP STATION SINGLE LINE DIAGRAM
 - E7-102 JET MIXING PUMP STATION ELECTRICAL PLANS

C



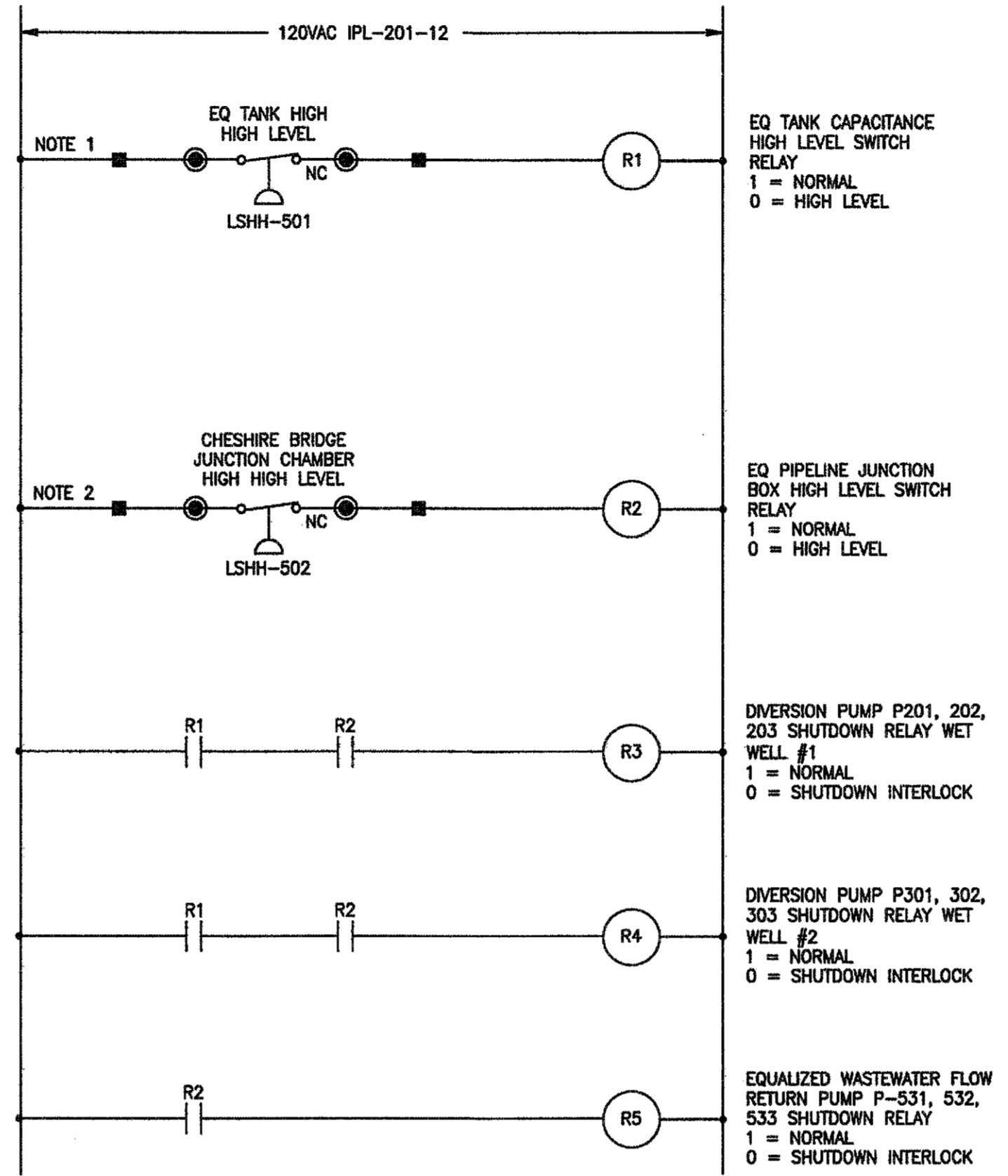
JET MIXING PUMP STATION UNIT HEATERS (UH-701, 702, 703, 704)

THE ELEMENTARY CONTROL DIAGRAM IS SHOWN FOR UH-701. ALL DEVICES ARE LOCATED IN MCC UNLESS NOTED OTHERWISE. THE CONTROL DIAGRAM IS TYPICAL AND APPLICABLE TO THE EQUIPMENT INDICATED IN THE TABLE BELOW.

EQUIPMENT TAG NO.	STARTER AT MCC	SELECTOR SWITCH ON MCC FRONT
UH-701	MCC-201	HS-701A
UH-702	MCC-201	HS-702A
UH-703	MCC-201	HS-703A
UH-704	MCC-201	HS-704A

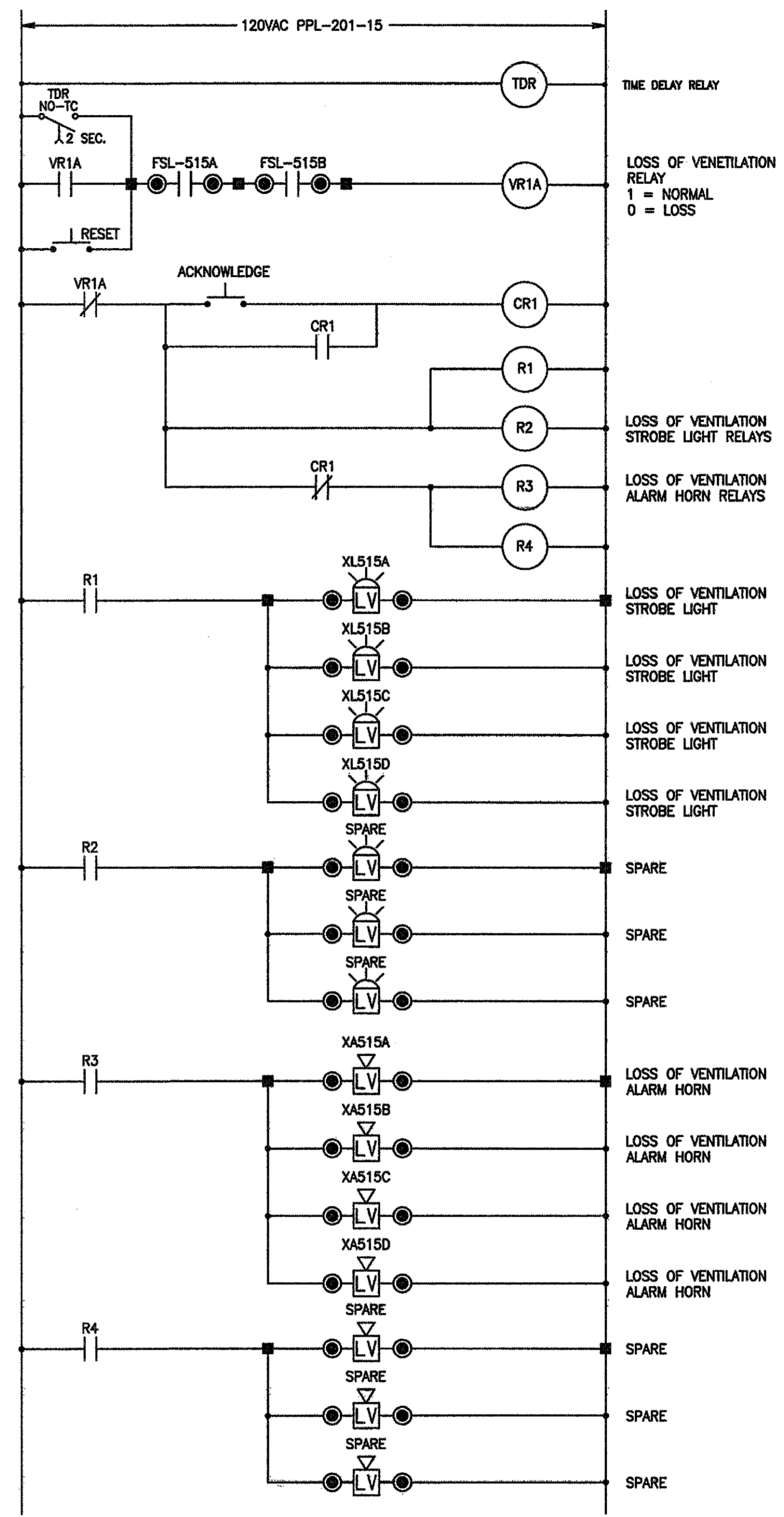
- CONNECTION AT MCC
 - R FIRE ALARM SYSTEM SHUTDOWN RELAY
- REFERENCE DRAWINGS
- H0-603 HVAC FAN SCHEDULE
 - H7-101 JET MIXING PUMP STATION HVAC PLAN
 - E7-101 JET MIXING PUMP STATION SINGLE LINE DIAGRAM
 - E7-102 JET MIXING PUMP STATION ELECTRICAL PLANS

A



EQUALIZATION TANK HIGH LEVEL INTERLOCKING RELAYS
TO BE LOCATED INSIDE EQUALIZATION FACILITY PLC LOCAL CONTROL PANEL PLC-201

- INTERNAL CONNECTION POINT INSIDE RELAY PANEL
CONNECTION TO EXTERNAL/FIELD DEVICE AS NOTED.
- REFERENCE DRAWINGS
- I-102 DIVERSION WET WELL NO. 1 P&ID
 - I-103 DIVERSION WET WELL NO. 2 P&ID
 - I-104 EQUALIZATION TANK P&ID
 - I-105 EQUALIZATION FLOW RETURN PUMP P&ID
 - E7-101 JET MIXING PUMP STATION SINGLE LINE DIAGRAM
 - E7-102 JET MIXING PUMP STATION ELECTRICAL PLANS
- NOTES:
- EQ TANK HIGH LEVEL SWITCH LOCATED ON TOP OF THE EQ TANK AND WIRED TO PLC CABINET IN JET MIXING FACILITY ELECTRICAL ROOM. THIS CAPACITANCE LEVEL SWITCH SHALL HAVE TWO LEVEL SWITCH SETTINGS THAT SHALL OPERATE A DOUBLE POLE (DPDT) SWITCH AT EACH ADJUSTABLE SET POINT. ONE SET OF CONTACTS WIRED DIRECTLY TO THE PLC FOR ALARM. SECOND SET WIRED TO THE RELAY PANEL FOR HIGH LEVEL INTERLOCKING. IF THE LEVEL SWITCH ENCLOSURE IS EXPLOSION PROOF, INTRINSICALLY SAFETY RELAYS WILL NOT BE REQUIRED AT EITHER LOCATION.
 - A FLOAT SWITCH WILL BE LOCATED AT THE CHESHIRE BRIDGE JUNCTION CHAMBER. IT SHALL BE WIRED DIRECTLY TO THE LEVEL INTERLOCKING PANEL. PROVIDE INTRINSICALLY SAFETY BARRIERS AND WIRING.



LOSS OF VENTILATION ALARMING
TO BE LOCATED INSIDE ELECTRICAL ROOM

- NOTES:
- PER CHAPTER 7 OF NFPA, LOSS OF VENTILATION ALARMING (VISUAL AND AUDIBLE) WILL BE PROVIDED FOR ALL AREAS BEING DECLASSIFIED THROUGH VENTILATION. PROVIDE STROBE LIGHTS AND ALARM HORNS INSIDE THE VENTILATED AREA AND AT ALL INGRESS/EGRESS POINTS TO THE VENTILATED AREA.
 - LOSS OF VENTILATION ALARMING RELAYS TO BE LOCATED INSIDE THE EQUALIZATION FACILITY PLC CABINET "PLC-201".



PEACHTREE CREEK SOUTH FORK RELIEF STORAGE AND PUMPING STATION
CITY OF ATLANTA
DEPARTMENT OF WATERSHED MANAGEMENT

REV	DATE	REVISION DESCRIPTION
0	10/28/12	100 PERCENT BID PACKAGE

THIS LINE IS ONE INCH LONG WHEN PLOTTED FULL SCALE
THIS DRAWING MUST BE USED IN CONJUNCTION WITH THE APPLICABLE OR GOVERNING TECHNICAL SPECIFICATIONS AND OTHER CONTRACT DOCUMENTS.

PROJECT NO: FC-6260
DATE: OCTOBER 2012
RESP PROF: KCV
DESIGNER: AWP
CHECKER: BLB

SHEET TITLE
ELECTRICAL
07 - JET MIXING PUMP STATION
ELEMENTARY CONTROL
DIAGRAMS - HVAC &
EQ TANK LEVEL INTERLOCKS