

F

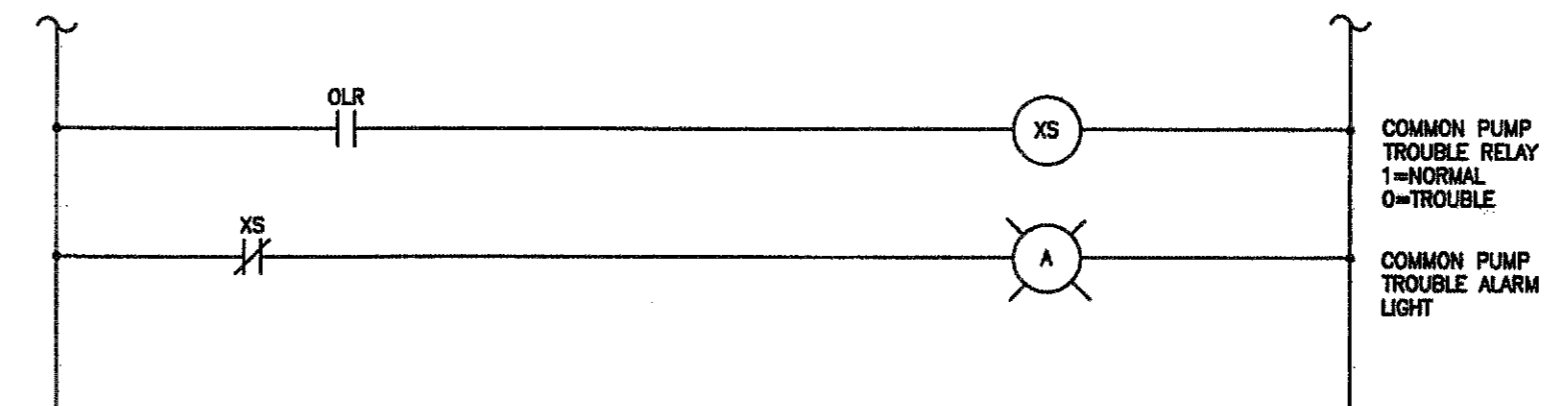
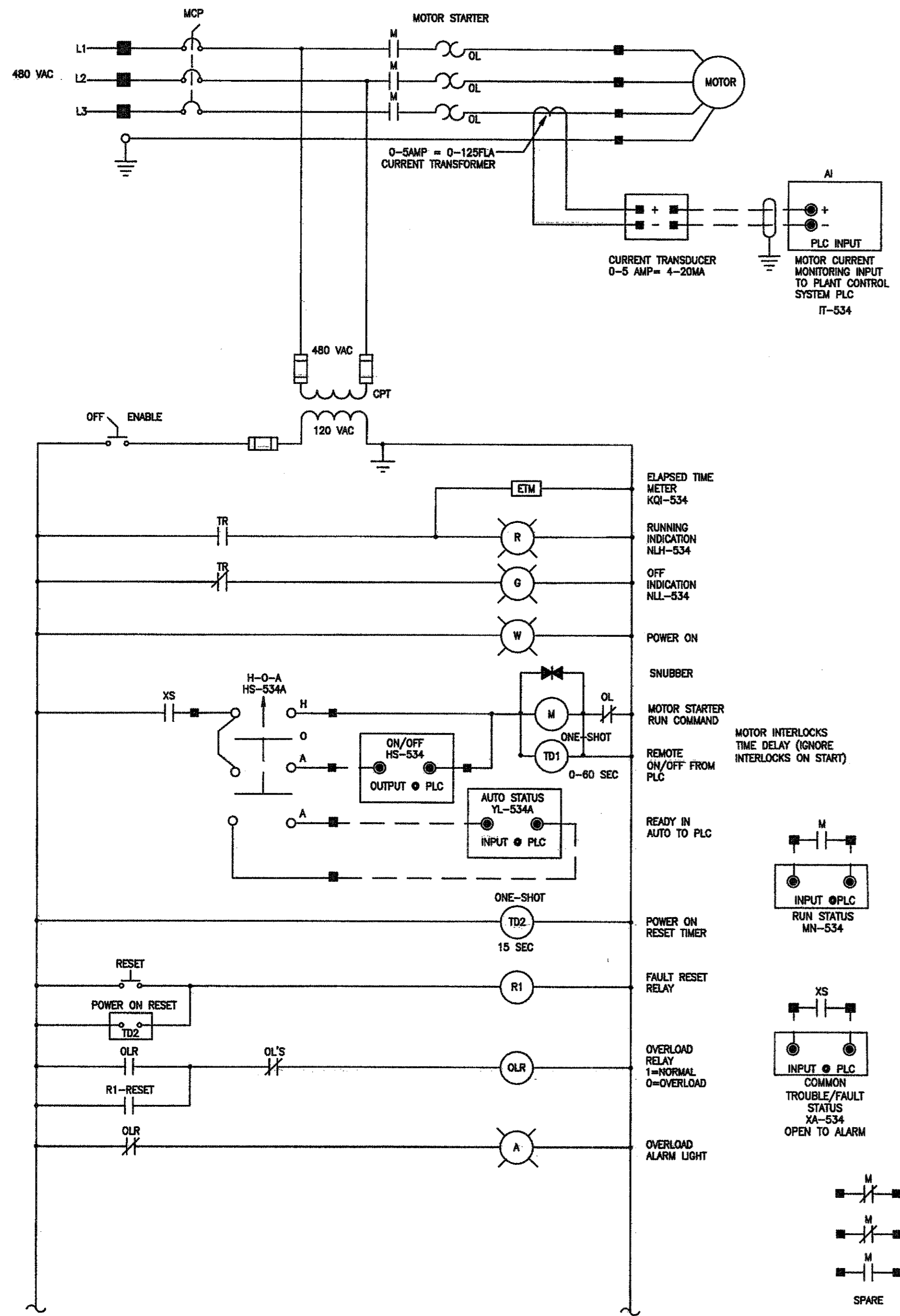
E

D

C

B

A



REFERENCE DRAWINGS:

- I-105 FLOW RETURN SYSTEM P&ID
- E7-101 JET MIXING PUMP STATION SINGLE LINE DIAGRAM
- E7-102 JET MIXING PUMP STATION POWER PLAN
- E7-103 JET MIXING PUMP STATION ELECTRICAL ROOM

NOTES:

1. EQUIPMENT TO BE FURNISHED BY PUMP MANUFACTURER AND INSTALLED IN MOTOR STARTER.
2. UNLESS NOTED OTHERWISE, ALL EQUIPMENT AND DEVICES TAG NUMBERS ON THIS DRAWING SHALL BE PREFIXED WITH XX FOR PUMP STATION PLANT AREA DESIGNATION.

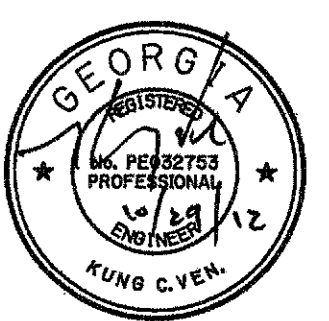
LEGEND

- MAS MONITOR AND STATUS PUMP PROTECTOR
- DCS CONNECTION TO FOXBORO DCS WIRING CABINET
- PLC PLC CONNECTION TO PLC I/O POINT INSIDE LOCAL CONTROL PANEL
- CONNECTION AT FIELD DEVICE AS NOTED
- \* EQUIPMENT OR DEVICE FURNISHED BY PUMP MANUFACTURERS AS NOTED
- CONNECTION AT THE MOTOR STARTER
- RVSS REDUCED VOLTAGE SOLID STATE SOFT STARTER

EQ TANK DRAINAGE PUMPS (P-534, 535) - CONSTANT SPEED

THE ELEMENTARY CONTROL DIAGRAM IS SHOWN FOR P-534. ALL DEVICES ARE LOCATED IN MOTOR STARTER UNLESS NOTED OTHERWISE. EXTERNAL INTERFACES AND WIRING BETWEEN LOCAL CONTROL PANELS, PLC, AND/OR OTHER DEVICES HAVE BEEN SHOWN ONLY. THE INTERNAL INTERFACES AND WIRING INSIDE THE PANELS, PLC, ETC., ARE NOT SHOWN. THE CONTROL DIAGRAM IS TYPICAL AND APPLICABLE TO THE EQUIPMENT INDICATED IN THE TABLE BELOW.

TANK DRAINAGE PUMP TAG NO.	STARTER AT MCC	E-STOP	H-O-A	REMOTE ON/OFF AT PLC	RUN STATUS	READY IN AUTO	FAULT STATUS	MOISTURE/TEMP RELAY TRIP CONTACT	STATOR TEMP SWITCH	MOISTURE PROBE	FIELD TERMINAL BOX	ELAPSED TIME METER	RUNNING INDICATION	OFF INDICATION	E-STOP INPUT @ PLC	FLUSHING WATER SOLENOID	MOTOR CURRENT
EQ TANK DRAINAGE PUMP P-534	MCC-201	NA	HS-534A	HS-534	MN-534	YL-534A	XA-534	NA	NA	NA	NA	KQI-534	NLH-534	NLL-534	NA	NA	IT-534
EQ TANK DRAINAGE PUMP P-535	MCC-201	NA	HS-535A	HS-535	MN-535	YL-535A	XA-535	NA	NA	NA	NA	KQI-535	NLH-535	NLL-535	NA	NA	IT-535



PEACHTREE CREEK SOUTH FORK RELIEF STORAGE AND PUMPING STATION  
 CITY OF ATLANTA  
 DEPARTMENT of WATERSHED MANAGEMENT

REV	DATE	REVISION DESCRIPTION
0	10/28/12	100 PERCENT BID PACKAGE

THIS LINE IS ONE INCH LONG WHEN PLOTTED FULL SCALE  
 THIS DRAWING MUST BE USED IN CONJUNCTION WITH THE APPLICABLE OR GOVERNING TECHNICAL SPECIFICATIONS AND OTHER CONTRACT DOCUMENTS.  
 PROJECT NO: FC-6250  
 DATE: OCTOBER 2012  
 RESP PROF: KCV | DESIGNER: AWP | CHECKER: BLB  
 SHEET TITLE: ELECTRICAL 00 - GENERAL EQ TANK DRAINAGE PUMP ELEMENTARY CONTROL DIGRAM  
 SHEET NO. E7-604 | REV. 0