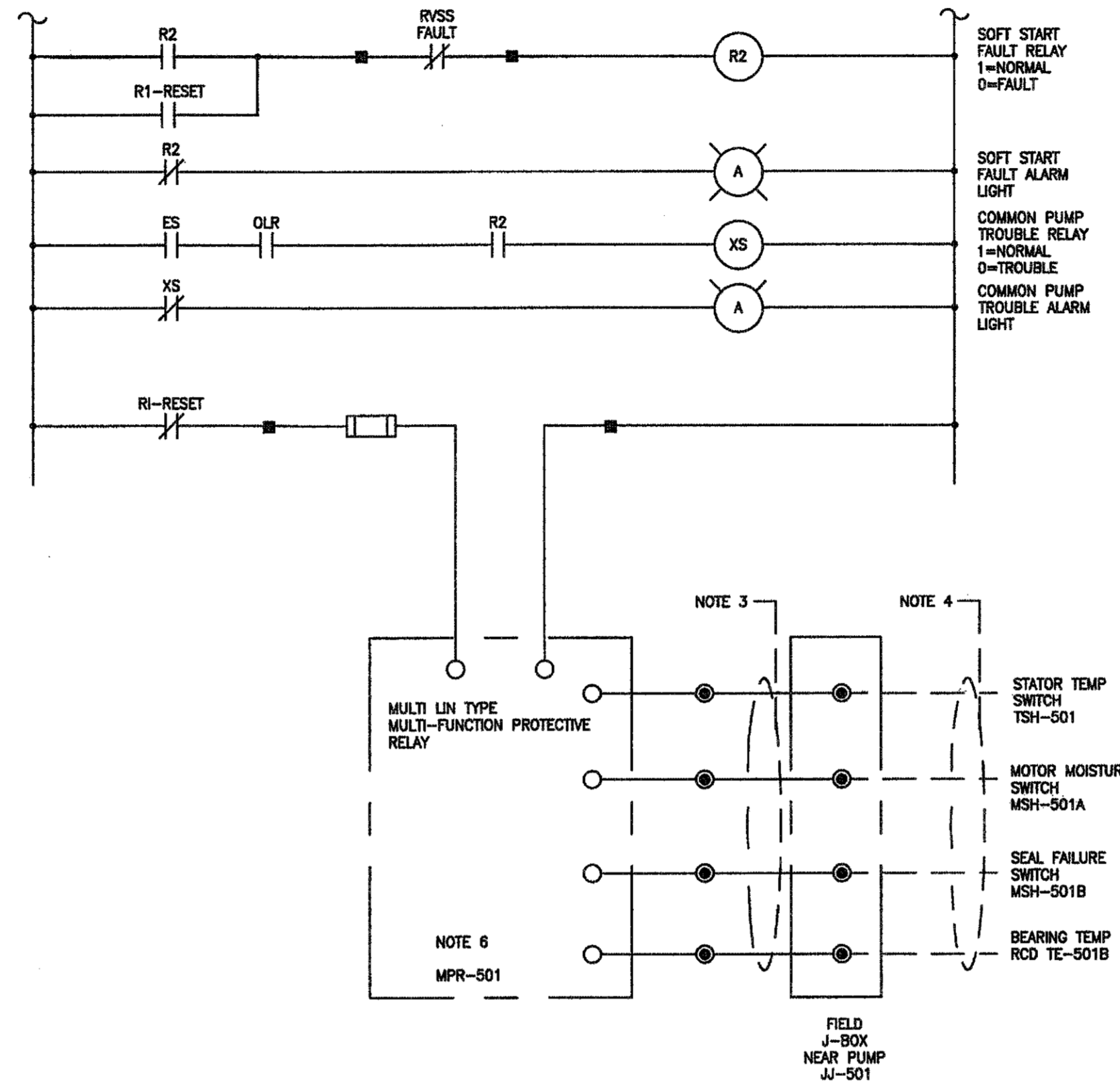
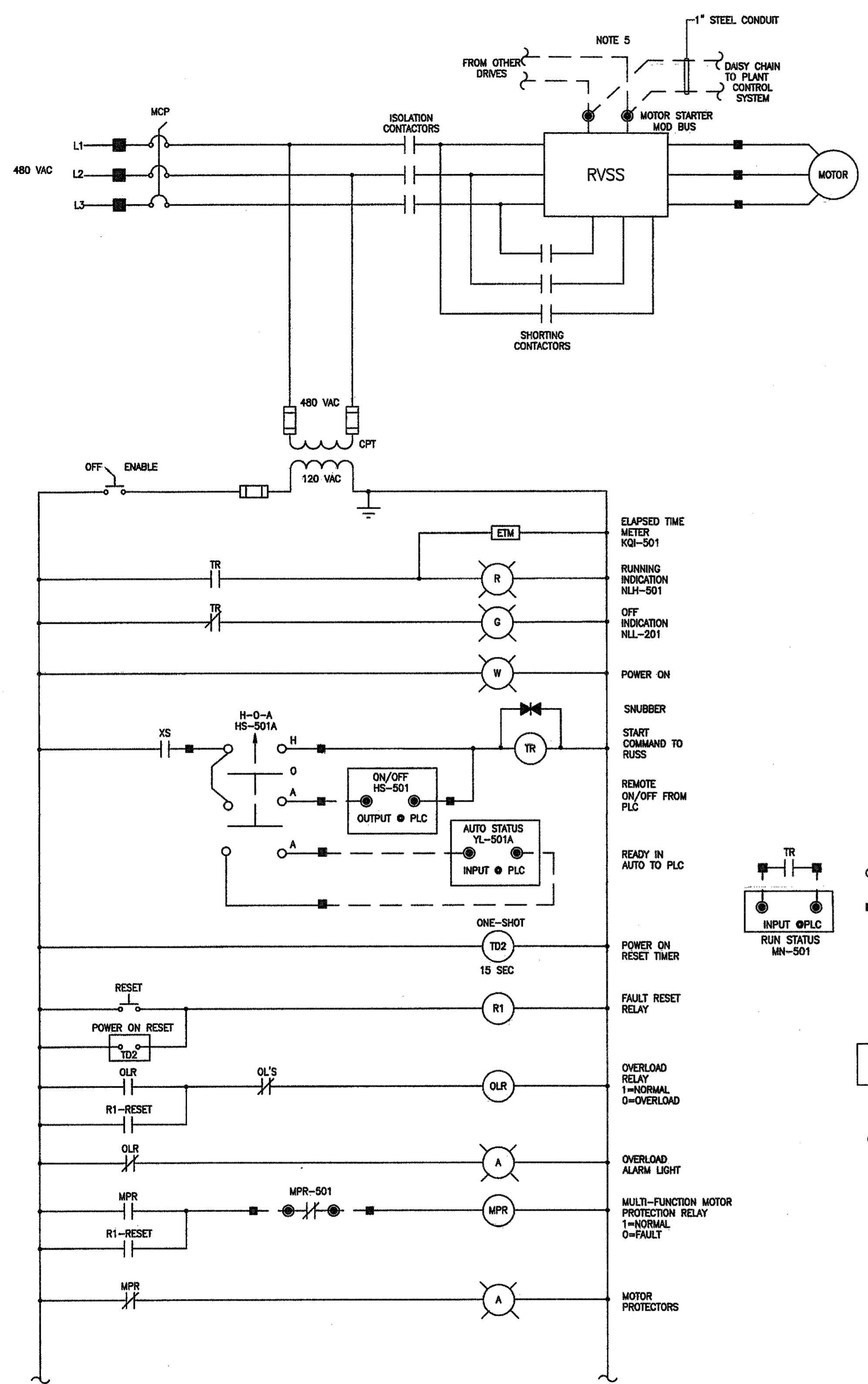


F  
E  
D  
C  
B  
A



**JET MIXING PUMPS (P-501,502) - CONSTANT SPEED**

THE ELEMENTARY CONTROL DIAGRAM IS SHOWN FOR P-501. ALL DEVICES ARE LOCATED IN RVSS UNLESS NOTED OTHERWISE. EXTERNAL INTERFACES AND WIRING BETWEEN LOCAL CONTROL PANELS, PLC, AND/OR OTHER DEVICES HAVE BEEN SHOWN ONLY. THE INTERNAL INTERFACES AND WIRING INSIDE THE PANELS, PLC, ETC., ARE NOT SHOWN. THE CONTROL DIAGRAM IS TYPICAL AND APPLICABLE TO THE EQUIPMENT INDICATED IN THE TABLE BELOW.

WASTE WATER PUMP TAG NO.	RVSS TAG NO.	E-STOP	H-O-A RVSS	REMOTE ON/OFF AT PLC	RUN STATUS	READY IN AUTO	FAULT STATUS	MOTOR PROTECTION RELAY	BEARING TEMP	STATOR TEMP SWITCH	MOTOR LEAKAGE	STATOR HOUSING LEAKAGE	FIELD JUNCTION BOX	ELAPSED TIME METER	RUNNING INDICATION	OFF INDICATION	E-STOP INPUT PLC
JET MIXING PUMP P-501	RVSS-501	NA	HS-501A	HS-501	MN-501	YL-501A	XA-501	MPR-501	TE-501	TSH-501	MSH-501A	MSH-501B	U-501	KQI-501	NLH-501A	NLL-501	NA
JET MIXING PUMP P-502	RVSS-502	NA	HS-502A	HS-502	MN-502	YL-502A	XA-502	MPR-502	TE-502	TSH-502	MSH-502A	MSH-502B	U-502	KQI-502	NLH-502A	NLL-502	NA

- LEGEND**
- MPR MOTOR PROTECTION RELAY
  - DCS CONNECTION TO FOXBORO DCS WIRING CABINET
  - PLC PLC CONNECTION TO PLC I/O POINT INSIDE LOCAL CONTROL PANEL
  - CONNECTION AT FIELD DEVICE AS NOTED
  - \* EQUIPMENT OR DEVICE FURNISHED BY PUMP MANUFACTURERS AS NOTED
  - CONNECTION AT RVSS
  - RVSS REDUCED VOLTAGE SOLID STATE SOFT STARTER

- REFERENCE DRAWINGS:**
- E7-102 JET MIXING SYSTEM ELECTRICAL PLANS
  - E7-103 EQUALIZATION FACILITY ELECTRICAL BUILDING
  - E7-101 EQUALIZATION TANKS AND PUMPS
  - I-104 EQUALIZATION TANK P&ID.

- NOTES:**
1. NOT USED
  2. UNLESS NOTED OTHERWISE, ALL EQUIPMENT AND DEVICES TAG NUMBERS ON THIS DRAWING SHALL BE PREFIXED WITH XX FOR PUMP STATION PLANT AREA DESIGNATION.
  3. PREFAB. MULTI-CONDUCTOR CABLE FURNISHED BY PUMP SUPPLIER AND TERMINATED IN FIELD JUNCTION BOX.
  4. MULTI-CONDUCTOR 12/C SHIELDED CABLE TO BE PROVIDED BY CONTRACTOR.
  5. EACH VFD AND RVSS DRIVE TO BE PROVIDED WITH A MOD BUS TYPE NETWORK INTERFACE. EACH DRIVE TO BE DAISY CHAINED TOGETHER IN ONE INCH STEEL CONDUIT TO THE PLANT CONTROL SYSTEM.
  6. MULTI-FUNCTION MOTOR PROTECTION RELAY SIMILAR TO GE MULTI-LIN SERIES, TO BE PROVIDED WITH RVSS DRIVE TO PROVIDE PUMP AND MOTOR PROTECTION FUNCTIONS SHOWN. RELAY TO BE MOUNTED INSIDE RVSS DRIVE AND SHALL BE POWERED FROM IT'S 120 VAC SINGLE PHASE POWER CONTROL POWER.



PEACHTREE CREEK SOUTH FORK RELIEF STORAGE AND PUMPING STATION

CITY OF ATLANTA

DEPARTMENT OF WATERSHED MANAGEMENT

REV	DATE	REVISION DESCRIPTION
0	10/29/12	100 PERCENT BID PACKAGE

THIS LINE IS ONE INCH LONG WHEN PLOTTED FULL SCALE

THIS DRAWING MUST BE USED IN CONJUNCTION WITH THE APPLICABLE OR GOVERNING TECHNICAL SPECIFICATIONS AND OTHER CONTRACT DOCUMENTS.

PROJECT NO: FC-6260

DATE: OCTOBER 2012

RESP PROF: DESIGNER: CHECKER:

KCV AWP BLB

SHEET TITLE

ELECTRICAL

00 - GENERAL

ELEMENTARY CONTROL

DIAGRAM

JET MIX PUMPS

SHEET NO. E7-602 REV. 0