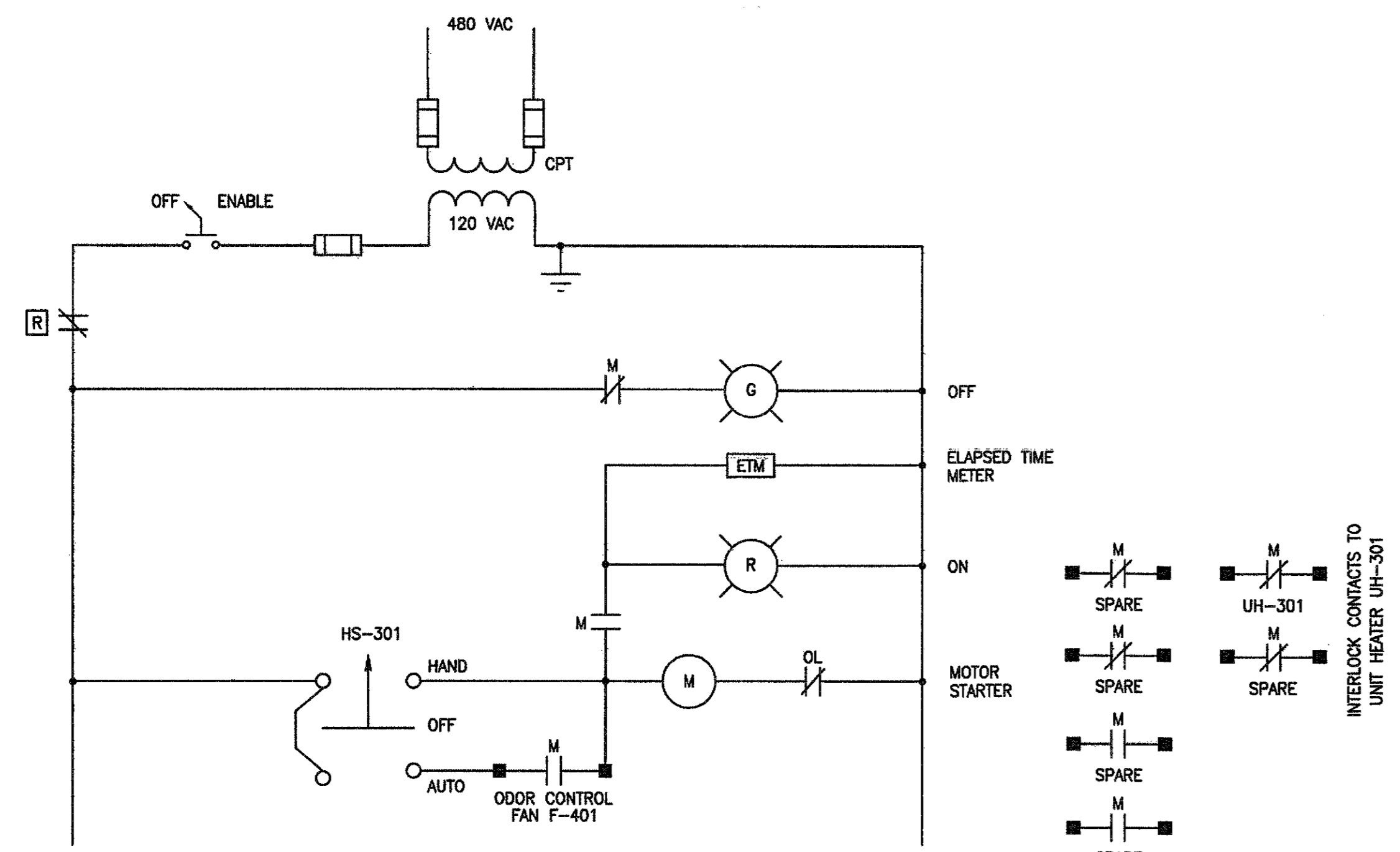


F
E
D
C
B
A



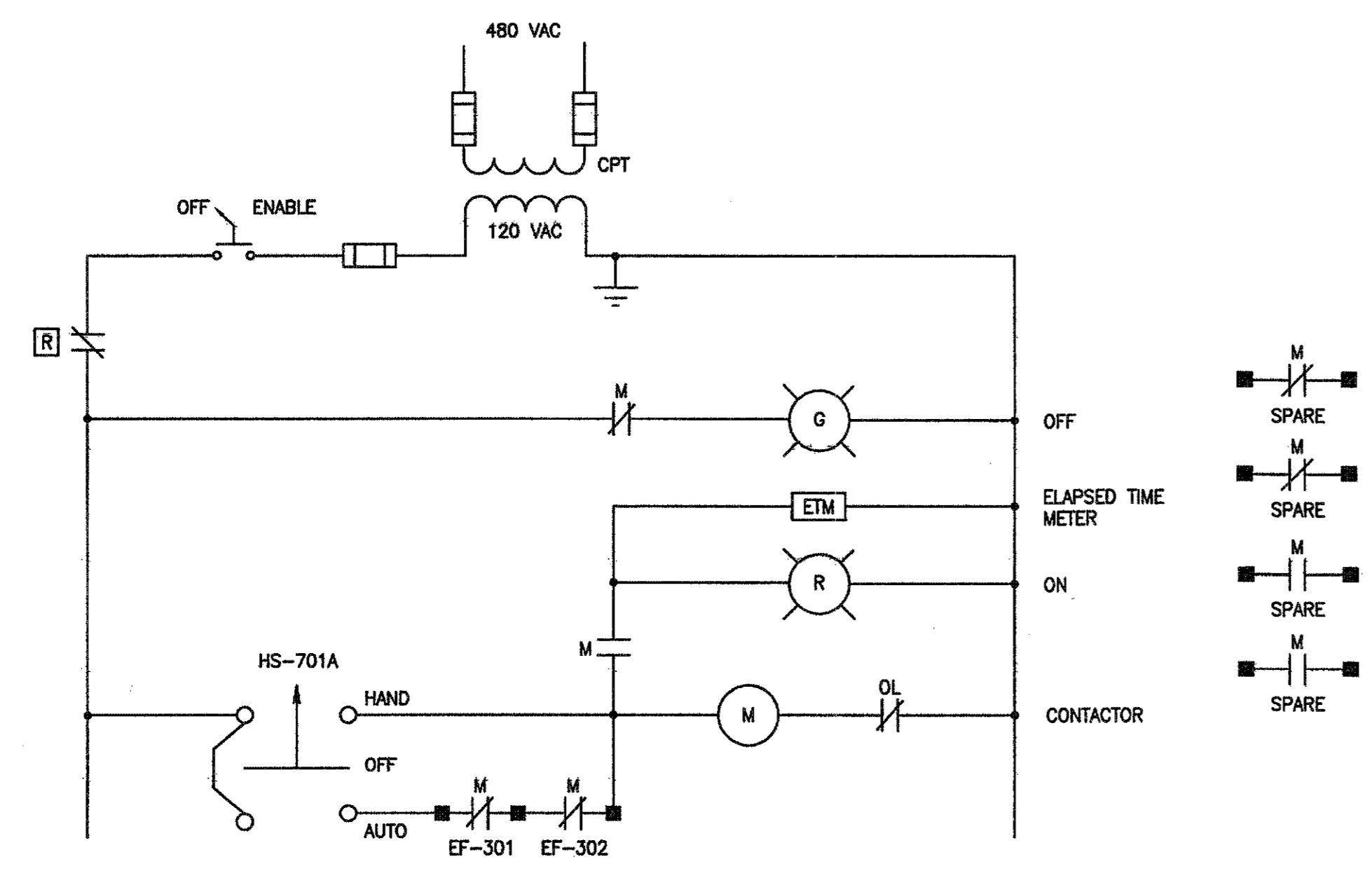
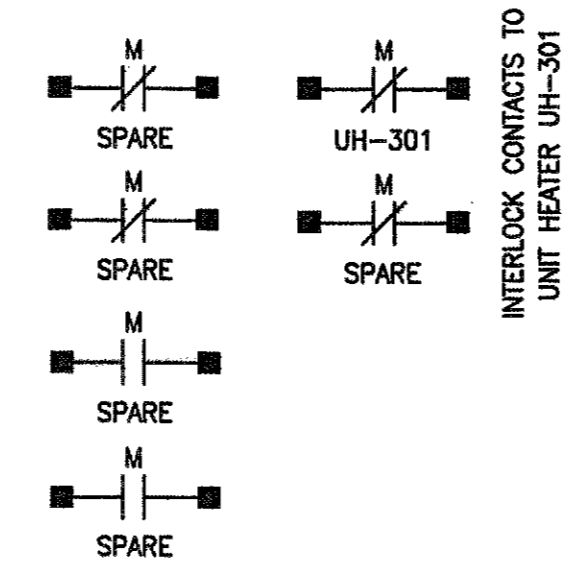
DIVERSION FACILITY EXHAUST FANS (EF-301, 302)

THE ELEMENTARY CONTROL DIAGRAM IS SHOWN FOR EF-301. ALL DEVICES ARE LOCATED IN MCC UNLESS NOTED OTHERWISE. THE CONTROL DIAGRAM IS TYPICAL AND APPLICABLE TO THE EQUIPMENT INDICATED IN THE TABLE BELOW.

EQUIPMENT TAG NO.	STARTER AT MCC	SELECTOR SWITCH ON MCC FRONT
EF-301	MCC-101	HS-301
EF-302	MCC-101	HS-302

LEGEND
 ■ CONNECTION AT MCC
 [R] FIRE ALARM SYSTEM SHUTDOWN RELAY

REFERENCE DRAWINGS
 H0-603 HVAC FAN SCHEDULE
 H3-102 DIVERSION FACILITY HVAC PLAN
 E3-101 DIVERSION FACILITY PUMP STATION SINGLE LINE DIAGRAM
 E3-102 DIVERSION FACILITY PUMP STATION POWER PLAN



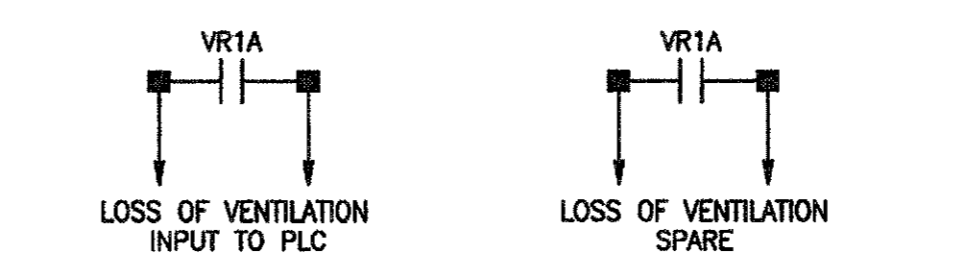
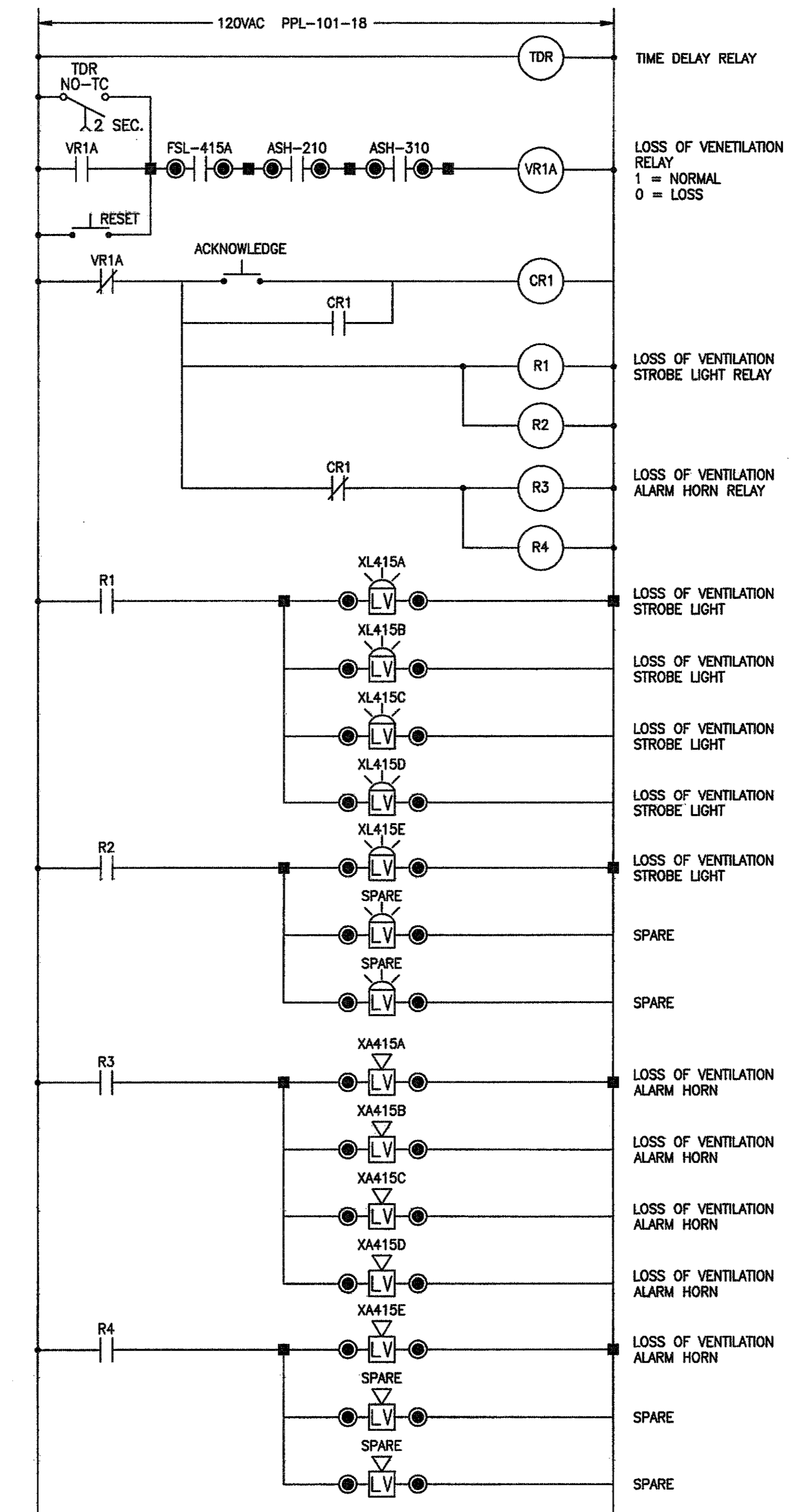
DIVERSION STRUCTURE UNIT HEATER (UH-301)

THE ELEMENTARY CONTROL DIAGRAM IS SHOWN FOR UH-301. ALL DEVICES ARE LOCATED IN MCC UNLESS NOTED OTHERWISE.

EQUIPMENT TAG NO.	STARTER AT MCC	SELECTOR SWITCH ON MCC FRONT
UH-301	MCC-101	HS-301A

LEGEND
 ■ CONNECTION AT MCC
 [R] FIRE ALARM SYSTEM SHUTDOWN RELAY

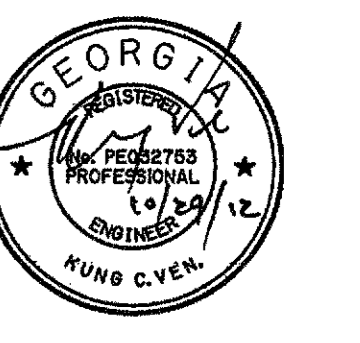
REFERENCE DRAWINGS
 H0-603 HVAC FAN SCHEDULE
 H3-101 JET MIXING PUMP STATION HVAC PLAN
 E3-101 JET MIXING PUMP STATION SINGLE LINE DIAGRAM
 E3-102 JET MIXING PUMP STATION ELECTRICAL PLANS



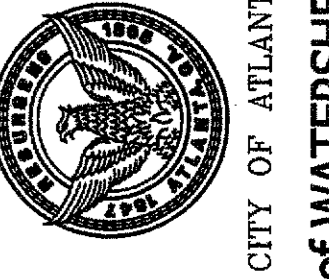
LOSS OF VENTILATION ALARMING

TO BE LOCATED INSIDE ELECTRICAL ROOM

- NOTES:**
- PER CHAPTER 7 OF NFPA, LOSS OF VENTILATION ALARMING (VISUAL AND AUDIBLE) WILL BE PROVIDED FOR ALL AREAS BEING DECLASSIFIED THROUGH VENTILATION. PROVIDE STROBE LIGHTS AND ALARM HORNS INSIDE THE VENTILATED AREA AND AT ALL INGRESS/EGRESS POINTS TO THE VENTILATED AREA.
 - LOSS OF VENTILATION ALARMING RELAYS TO BE LOCATED INSIDE THE DIVERSION FACILITY PLC CABINET "PLC-101".



PEACHTREE CREEK SOUTH FORK
RELIEF STORAGE AND PUMPING STATION



DEPARTMENT OF WATERSHED MANAGEMENT

REV	DATE	REVISION DESCRIPTION
0	10/28/12	100 PERCENT BID PACKAGE

THIS LINE IS ONE INCH LONG WHEN PLOTTED FULL SCALE
 THIS DRAWING MUST BE USED IN CONJUNCTION WITH THE APPLICABLE OR GOVERNING TECHNICAL SPECIFICATIONS AND OTHER CONTRACT DOCUMENTS.

PROJECT NO: FC-6260
 DATE: OCTOBER 2012
 RESP PROF: KCV DESIGNER: AWP CHECKER: BLB

SHEET TITLE
ELECTRICAL
 03 - DIVERSION PUMP STATION
 EXHAUST FAN AND
 LOSS OF VENTILATION
 ELEMENTARY DIAGRAM