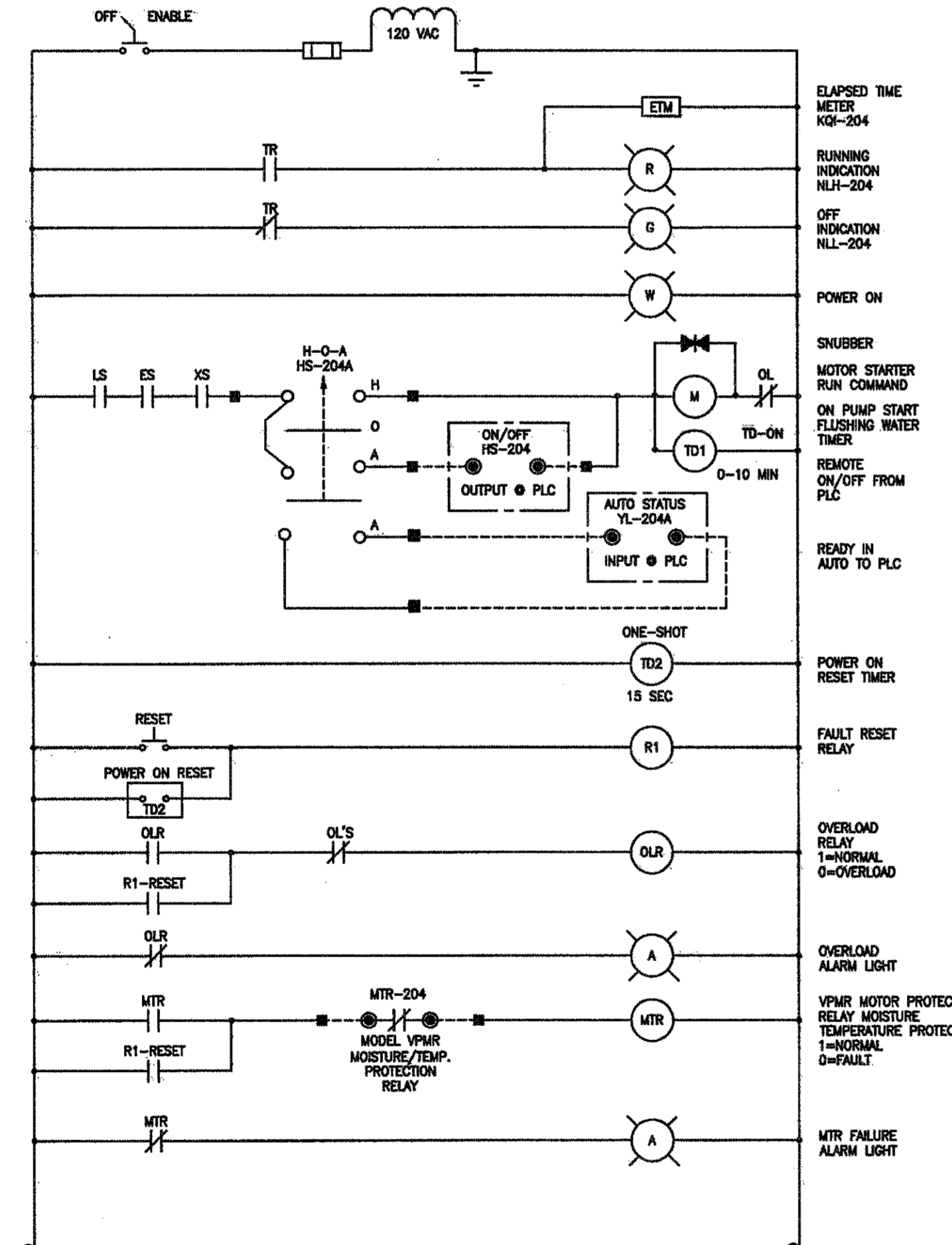
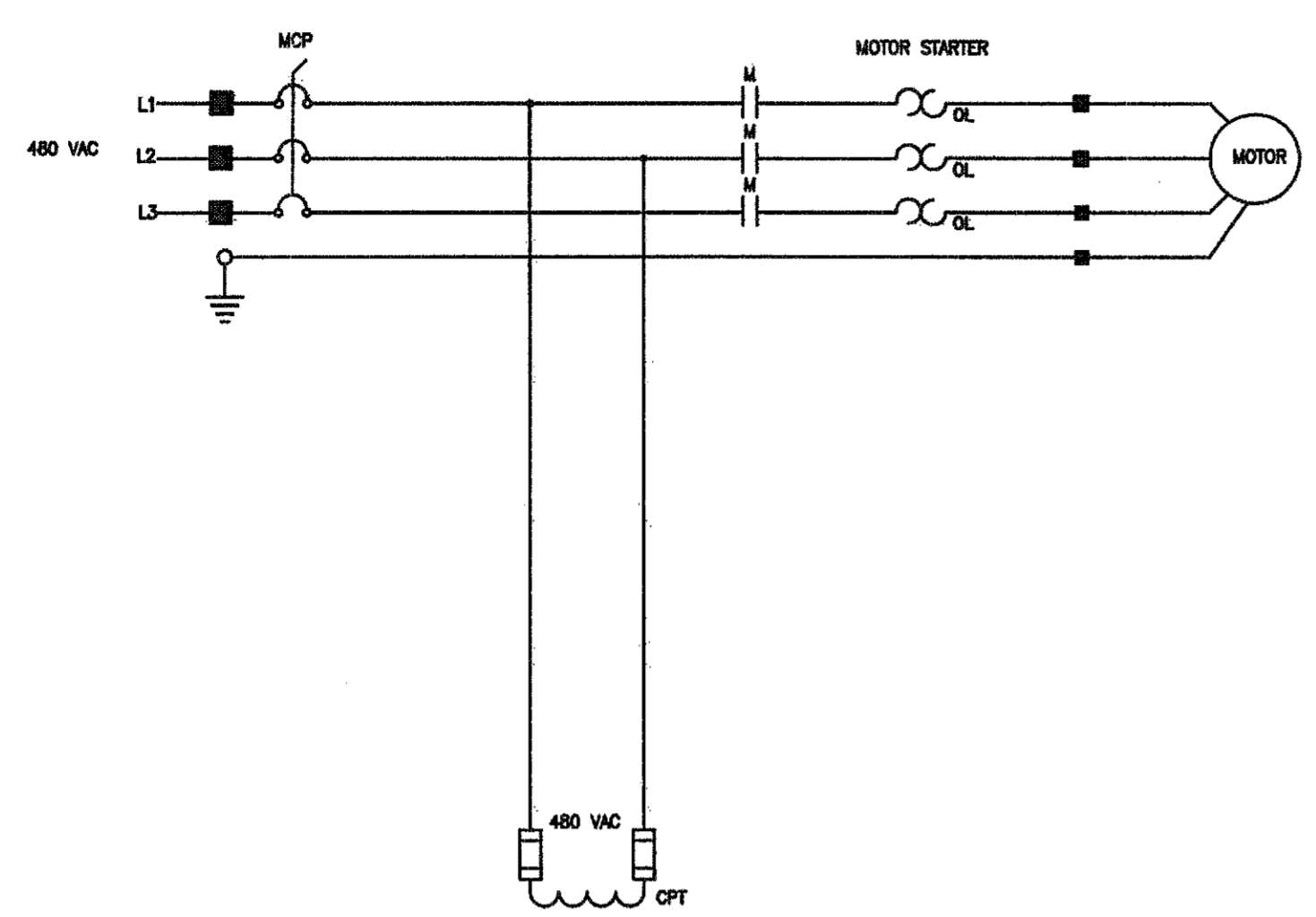


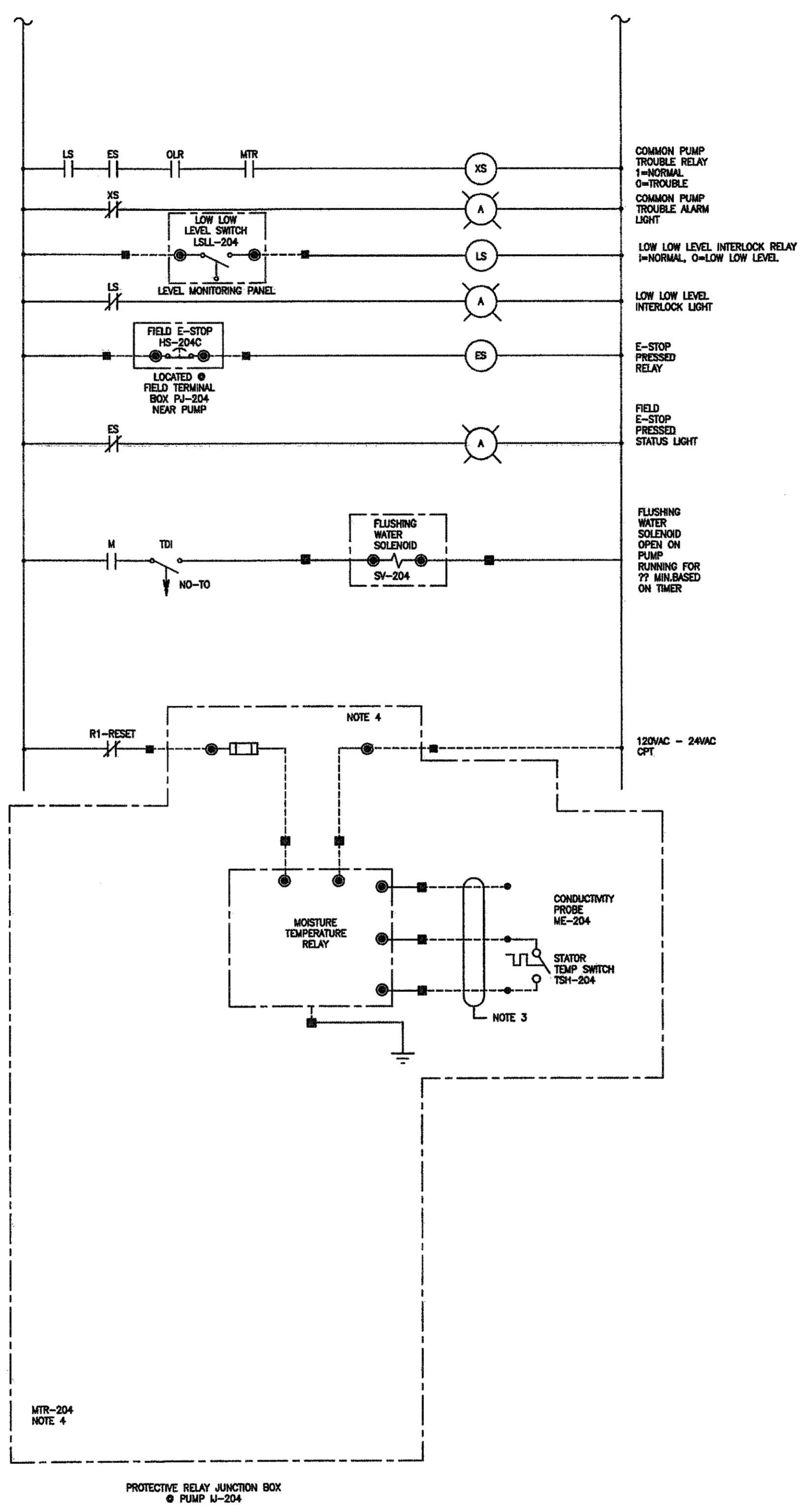
F
E
D
C
B
A



DRAINAGE PUMPS (P-204, 304) - CONSTANT SPEED

THE ELEMENTARY CONTROL DIAGRAM IS SHOWN FOR P-204. ALL DEVICES ARE LOCATED IN THE MOTOR STARTER UNLESS NOTED OTHERWISE. EXTERNAL INTERFACES AND WIRING BETWEEN LOCAL CONTROL PANELS, PLC, AND/OR OTHER DEVICES HAVE BEEN SHOWN ONLY. THE INTERNAL INTERFACES AND WIRING INSIDE THE PANELS, PLC, ETC., ARE NOT SHOWN. THE CONTROL DIAGRAM IS TYPICAL AND APPLICABLE TO THE EQUIPMENT INDICATED IN THE TABLE BELOW.

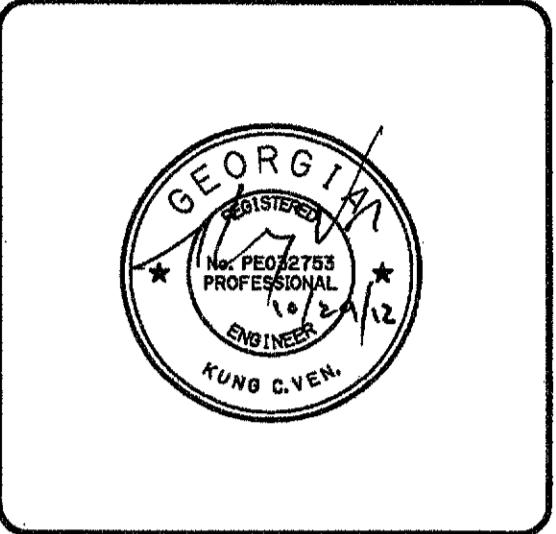
| WASTE WATER PUMP TAG NO. | STARTER AT MCC | E-STOP | H-O-A RVSS | REMOTE ON/OFF AT PLC | RUN STATUS | READY IN AUTO | FAULT STATUS | MOISTURE/TEMP RELAY TRIP CONTACT | STATOR TEMP SWITCH | MOISTURE PROBE | FIELD TERMINAL BOX | ELAPSED TIME METER | RUNNING INDICATION | OFF INDICATION | E-STOP INPUT @ PLC | FLUSHING WATER SOLENOID | (FROM LEVEL MONITORING PANEL) LOW LOW LEVEL INTERLOCK |
|--------------------------|----------------|---------|------------|----------------------|------------|---------------|--------------|----------------------------------|--------------------|----------------|--------------------|--------------------|--------------------|----------------|--------------------|-------------------------|---|
| DRAINAGE PUMP P-204 | MCC-101 | HS-204C | HS-204A | HS-204 | MN-204 | YL-204A | XA-204 | MTR-204 | TSH-204 | ME-204 | U-204 | KQI-204 | NLH-204 | NLL-204 | YL-204B | SV-204 | LSLL-204 |
| DRAINAGE PUMP P-304 | MCC-101 | HS-304C | HS-304A | HS-304 | MN-304 | YL-304A | XA-304 | MTR-304 | TSH-304 | ME-304 | U-304 | KQI-304 | NLH-304 | NLL-304 | YL-304B | SV-304 | LSLL-304 |



- NOTES:**
- EQUIPMENT TO BE FURNISHED BY PUMP MANUFACTURER AND INSTALLED IN MOTOR STARTER, EXCEPT AS NOTED.
 - EXCEPT AS NOTED, ALL EQUIPMENT AND DEVICES TAG NUMBERS ON THIS DRAWING SHALL BE PREFIXED WITH XX FOR PUMP STATION PLANT AREA DESIGNATION.
 - PREFAB MULTI-CONDUCTOR CABLE FURNISHED BY PUMP SUPPLIER AND TERMINATED IN FIELD TERMINAL BOX.
 - MOISTURE/TEMPERATURE PROTECTIVE RELAY TO BE SUPPLIED BY PUMP VENDOR. MOUNT IN AN EXPLOSION-PROOF JUNCTION BOX IN CLOSE PROXIMITY TO THE PUMP. 120VAC CONTROL POWER FROM MOTOR STARTER IS TO BE PROVIDED TO POWER THE RELAY.

- REFERENCE DRAWINGS:**
- E3-102 PUMP STATION ELECTRICAL PLANS
 - E3-103 ELECTRICAL DIVERSION FACILITY ELECTRICAL BUILDING
 - E3-101 MAIN SWGR & MCC ONE LINE DIAGRAM
 - I-102 DIVERSION WET WELL NO. 1.
 - I-103 DIVERSION WET WELL NO. 2.

- LEGEND**
- MAS MONITOR AND STATUS PUMP PROTECTOR
 - DCS CONNECTION TO FOXBORO DCS WIRING CABINET
 - PLC PLC CONNECTION TO PLC I/O POINT INSIDE LOCAL CONTROL PANEL
 - CONNECTION AT FIELD DEVICE AS NOTED
 - * EQUIPMENT OR DEVICE FURNISHED BY PUMP MANUFACTURERS AS NOTED
 - CONNECTION AT THE MOTOR STARTER
 - RVSS REDUCED VOLTAGE SOLID STATE SOFT STARTER



PEACHTREE CREEK SOUTH FORK RELIEF STORAGE AND PUMPING STATION
 CITY OF ATLANTA
 DEPARTMENT OF WATERSHED MANAGEMENT

| REV | DATE | REVISION DESCRIPTION |
|-----|----------|-------------------------|
| 0 | 10/28/12 | 100 PERCENT BID PACKAGE |

THIS LINE IS ONE INCH LONG WHEN PLOTTED FULL SCALE.
 THIS DRAWING MUST BE USED IN CONJUNCTION WITH THE APPLICABLE OR GOVERNING TECHNICAL SPECIFICATIONS AND OTHER CONTRACT DOCUMENTS.
 PROJECT NO: FC-6260
 DATE: OCTOBER 2012
 RESP PROF: KCV
 DESIGNER: AWP
 CHECKER: BLB
 SHEET TITLE: ELECTRICAL
 00 - GENERAL
 ELEMENTARY CONTROL
 DIAG - DIVERSION WET WELL
 DRAINAGE PUMPS
 SHEET NO. E3-603
 REV. 0