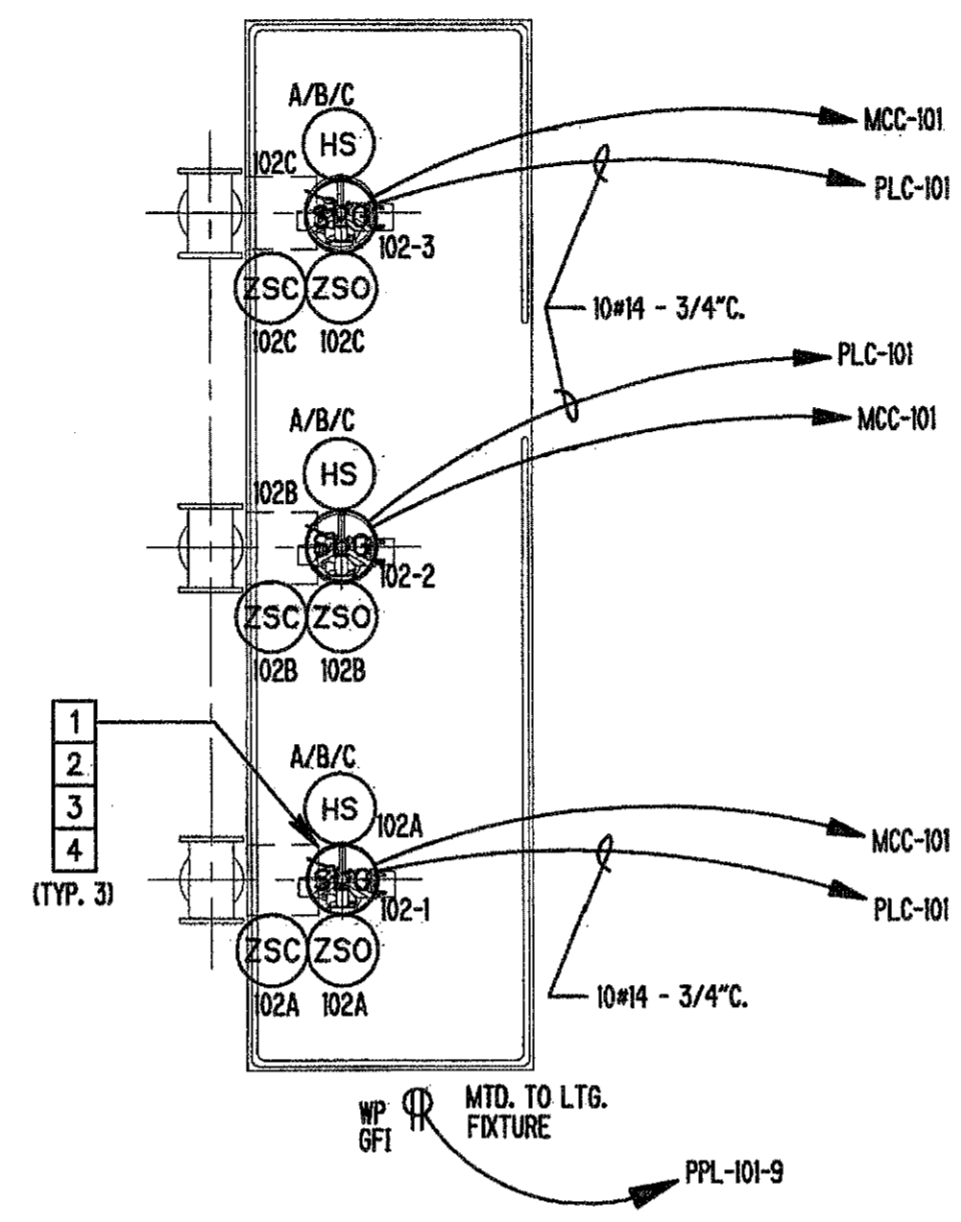


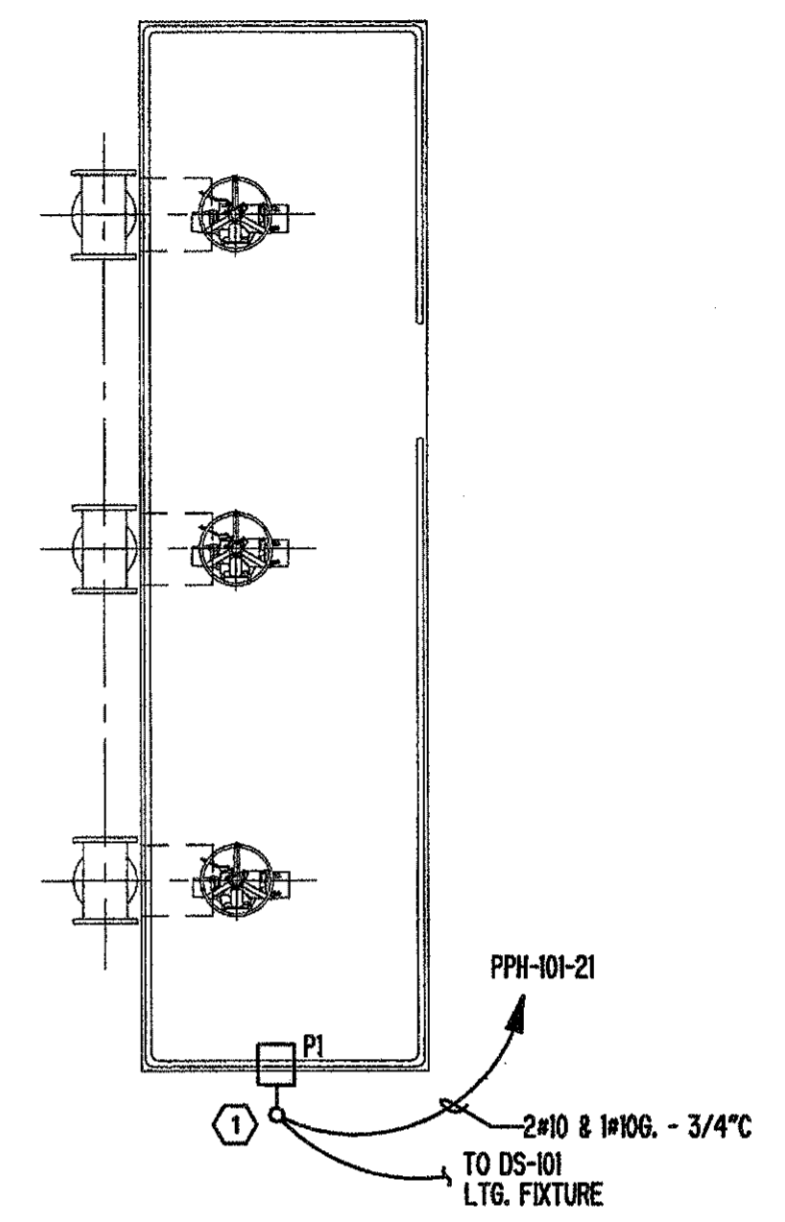
1 ELECTRICAL GROUNDING PLAN
E2-101 SCALE: 1/4"=1'-0"

- GROUNDING KEYNOTES:**
- GROUND LOOP BURIED 30" BELOW GRADE AND 3' OUTSIDE FOUNDATION.
 - GROUNDING RODS SHALL BE SPACED APPROXIMATELY 50' O.C. MAX WITH TOP OF ROD 30" BELOW FINISHED GRADE.
- GROUNDING NOTES:**
- CONTRACTOR SHALL PROVIDE A PVC SLEEVE AT EACH GROUND CABLE PENETRATING THROUGH CONCRETE SLAB.
 - EQUIPMENT BONDING GROUNDING CONDUCTORS SHALL BE PER SPECIFICATION 16450.
 - GROUNDING TAP CONDUCTORS TO MAJOR ELECTRICAL EQUIPMENT SHALL BE #4/0 BARE COPPER. GROUNDING LOOP CONDUCTORS SHALL BE EXTENDED TO MAIN WATER PIPE AND TO BUILDING STRUCTURAL STEEL.
 - GROUNDING TAP CONDUCTOR TO MINOR EQUIPMENT INCLUDING STEP DOWN TRANSFORMER, VFDs, CONTROL PANELS, ETC. SHALL BE #2/0 BARE COPPER.
 - REFER TO SHEET E0-602 FOR GROUNDING INSTALLATION DETAILS AND NOTES.



2 PLATFORM PLAN - POWER AND CONTROL
E2-101 SCALE: 1/4"=1'-0"

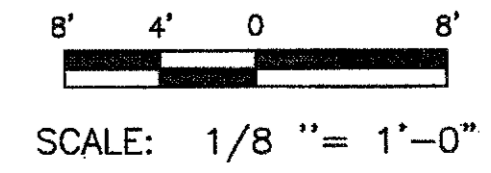
- POWER KEYNOTES:**
- EXACT LOCATION OF MOTORS, DEVICES AND EQUIPMENT TO BE DETERMINED USING VENDOR AND/OR CONSTRUCTORS DRAWINGS. VENDORS DRAWINGS SHALL BE USED AS REQUIRED TO DETERMINE, COORDINATE AND VERIFY ENTRY OF RACEWAYS AND TERMINATION OF CONDUCTORS FOR VENDOR EQUIPMENT.
 - CONDUIT INSTALLED SHALL NOT INTERFERE WITH ACCESS AND SERVICING OF EQUIPMENT, AND SHALL NOT PREVENT REMOVAL OF FLOOR GRATING OR PLATES.
 - SEE SINGLE LINE DIAGRAM DWG E3-101 FOR CABLE AND CONDUIT SIZES.
 - ALL CONDUITS PENETRATING SLAB SHALL BE INSTALLED WITH CONDUIT SEAL-OFFS AT 20" ABOVE SLAB.



3 PLATFORM PLAN - LIGHTING
E2-101 SCALE: 1/4"=1'-0"

- LIGHTING KEYNOTES:**
- RUN CIRCUIT VIA LIGHTING CONTACTOR 'LC-101', CONTROLLED VIA PHOTOCELL/TIMECLOCK. REFER TO PHOTOCELL/TIMECLOCK CONTROL DIAGRAM ON SHEET E0-601 FOR ADDITIONAL INFORMATION.

- GENERAL NOTES:**
- SEE DRAWING E3-601 FOR PANELBOARD SCHEDULES.
 - SEE DRAWINGS E3-103 FOR LOCATION OF MCC AND PANELS.
 - NOT USED.
 - CONTRACTOR SHALL COORDINATE EXACT LOCATION OF ALL DEVICES PRIOR TO ROUGH-IN.
 - BRANCH CIRCUIT CONDUITS MAY ALSO BE EMBEDDED IN CONCRETE SLAB.
MINIMUM SIZE CONDUIT EXPOSED SHALL BE 3/4".
MINIMUM SIZE CONDUIT IN SLAB SHALL BE 1".
 - CONDUIT, BOXES, FITTINGS AND SUPPORTS SHALL BE SUITABLE FOR HAZARDOUS AND/OR CORROSIVE AREAS AS SPECIFIED ON THE AREA CLASSIFICATIONS DRAWING.



PEACHTREE CREEK SOUTH FORK
RELIEF STORAGE AND PUMPING STATION

CITY OF ATLANTA

DEPARTMENT OF WATERSHED MANAGEMENT

REV	DATE	REVISION DESCRIPTION
0	10/28/12	100 PERCENT BID PACKAGE

THIS LINE IS ONE INCH LONG WHEN PLOTTED FULL SCALE

THIS DRAWING MUST BE USED IN CONJUNCTION WITH THE APPLICABLE OR GOVERNING TECHNICAL SPECIFICATIONS AND OTHER CONTRACT DOCUMENTS.

PROJECT NO: FC-6260

DATE: OCTOBER 2012

RESP PROF:	DESIGNER:	CHECKER:
KCV	AWP	WFR

SHEET TITLE

ELECTRICAL

02 - DIVERSION STRUCTURE 2

ELECTRICAL PLANS

SHEET NO. E2-101 REV. 0