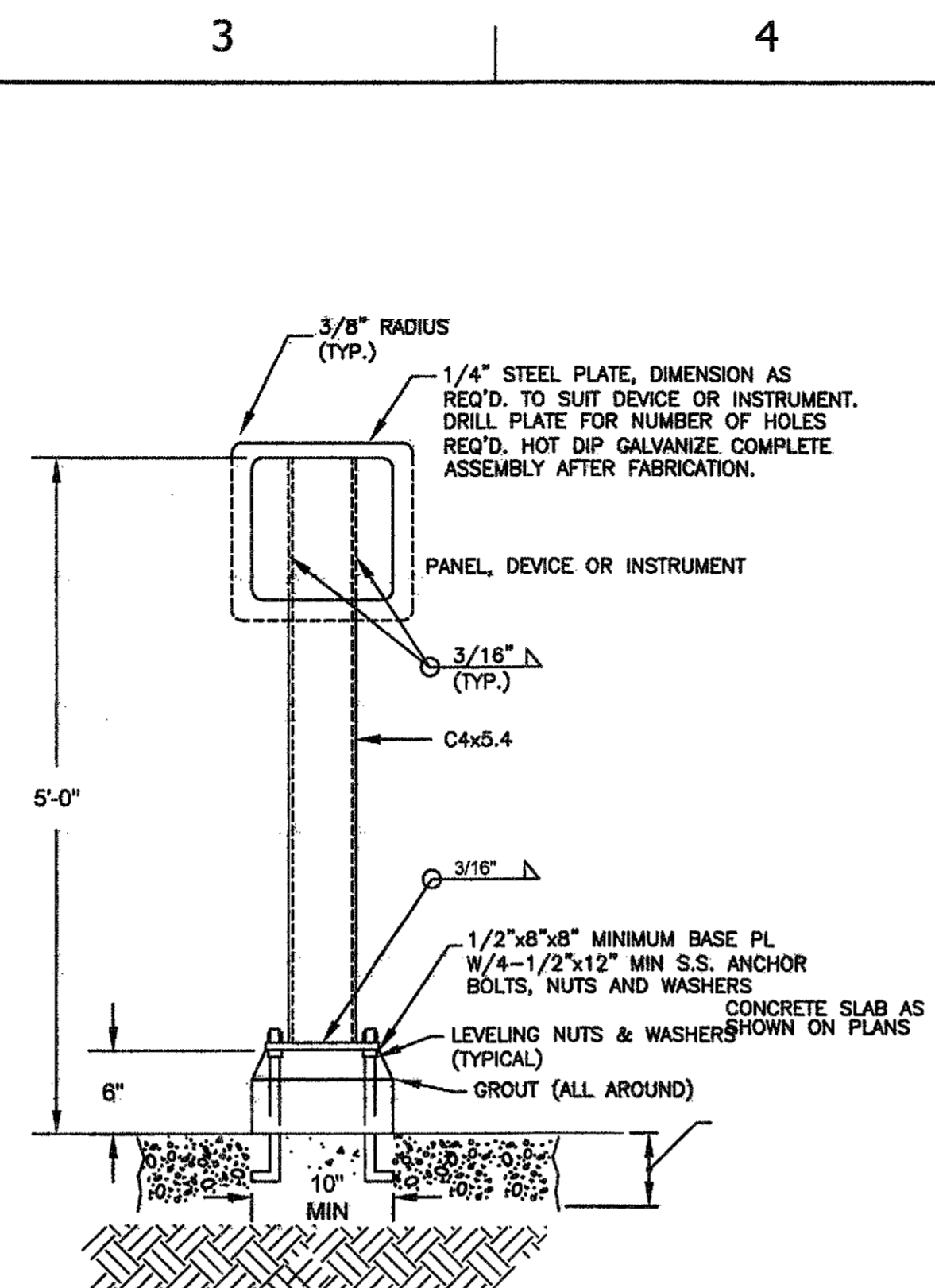
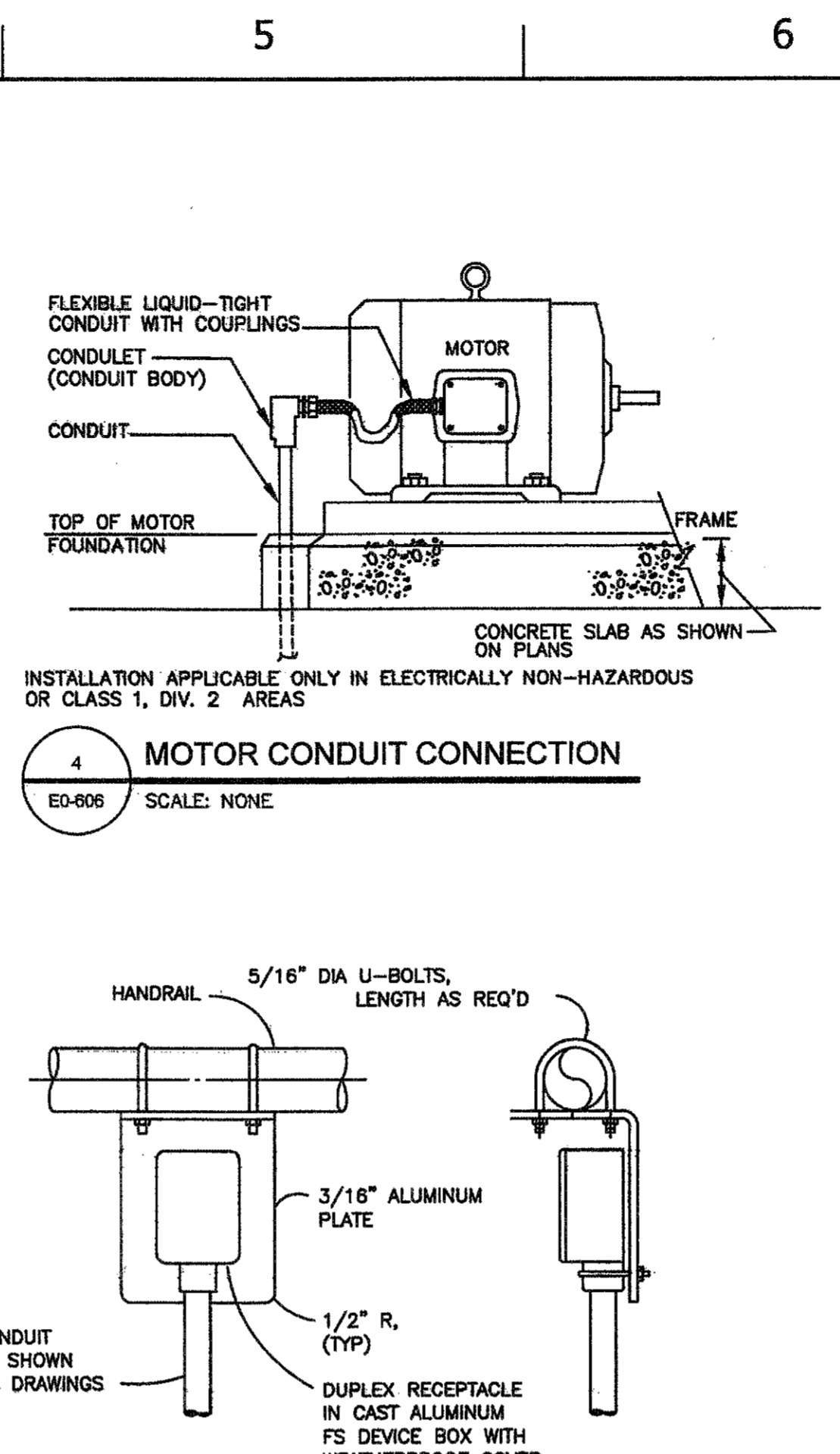


NOTES:
 1. CONDUIT BEND (OR FITTING) RADIUS MUST BE GREATER THAN MIN. BENDING RADIUS OF CONDUCTORS.
 2. CONDUIT SHALL BE CONTINUOUS TO SEAL OFF PER NEC.

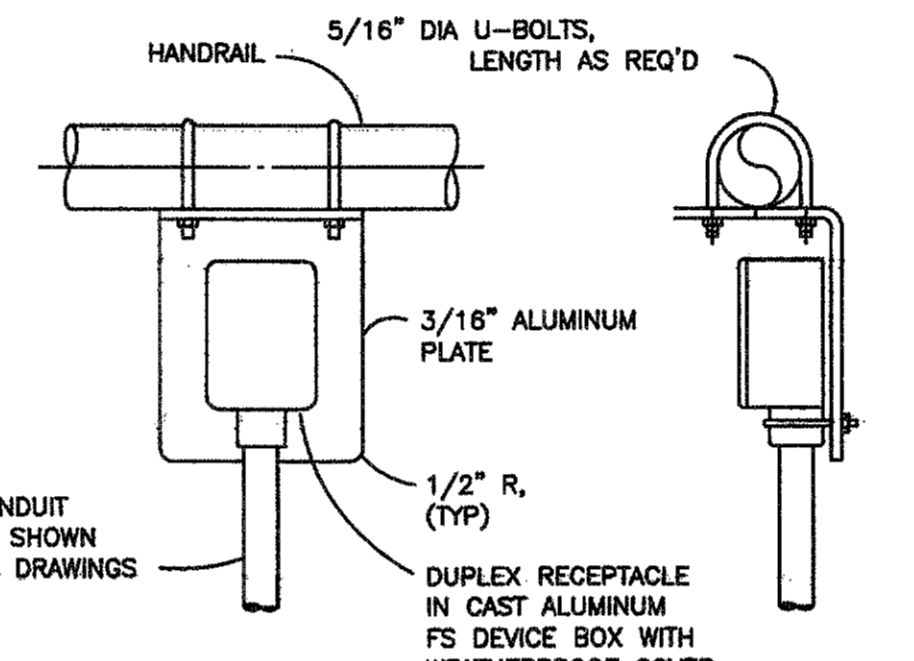
1 CONDUIT TERMINATION IN CONCRETE
 E0-606 SCALE: NONE



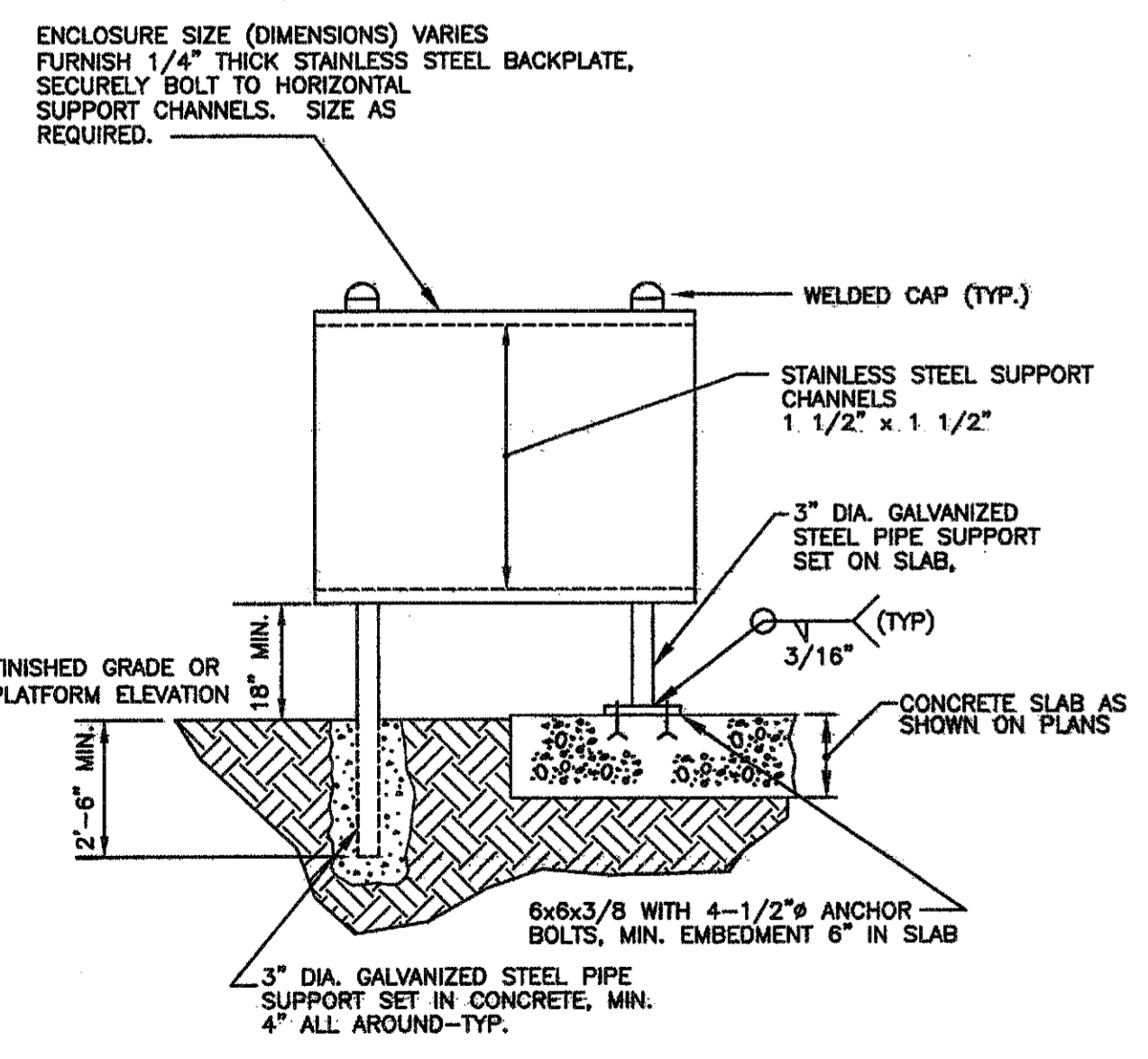
3 EQUIPMENT MOUNTING AND SUPPORT
 E0-606 SCALE: NONE



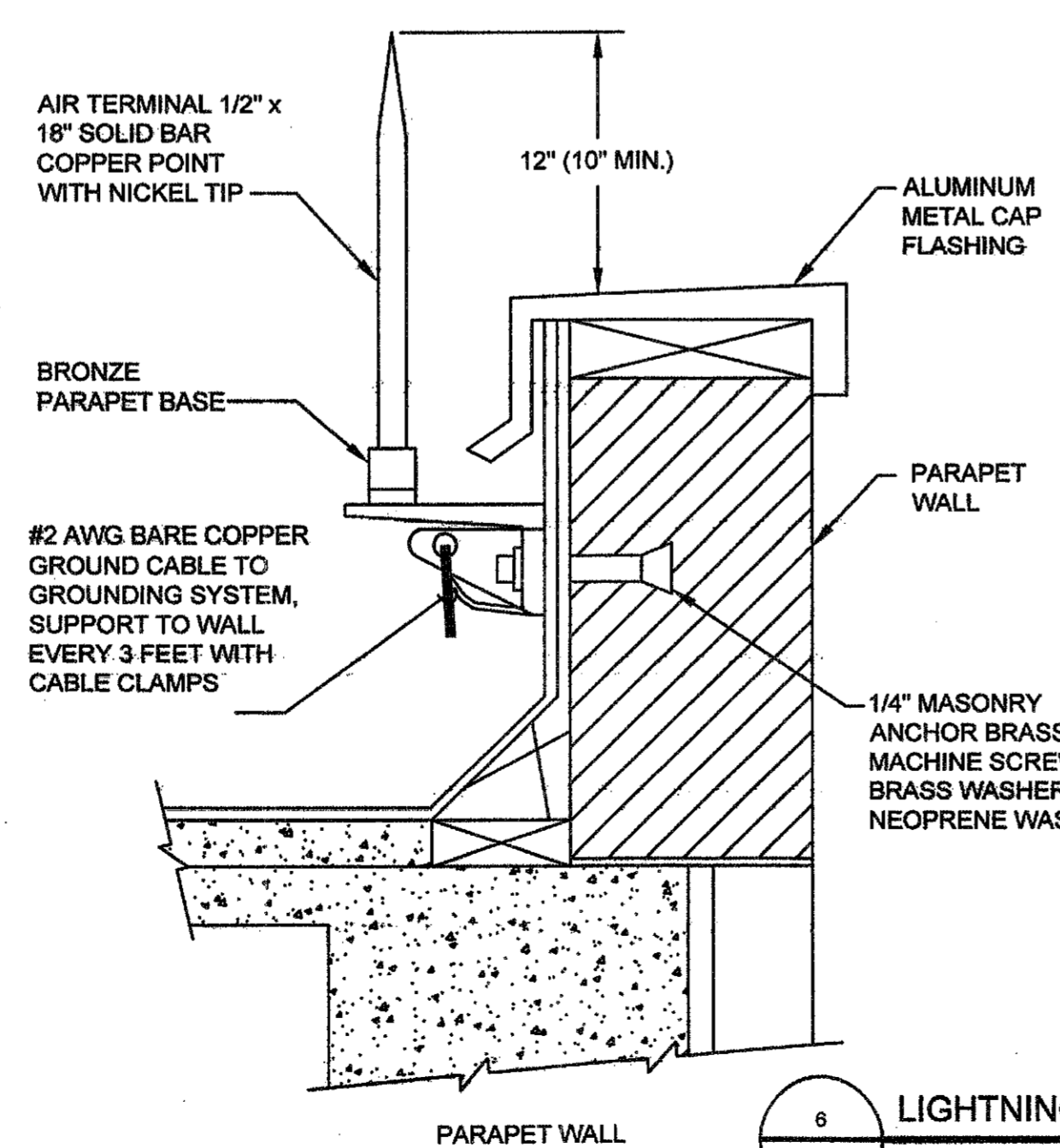
4 MOTOR CONDUIT CONNECTION
 E0-606 SCALE: NONE



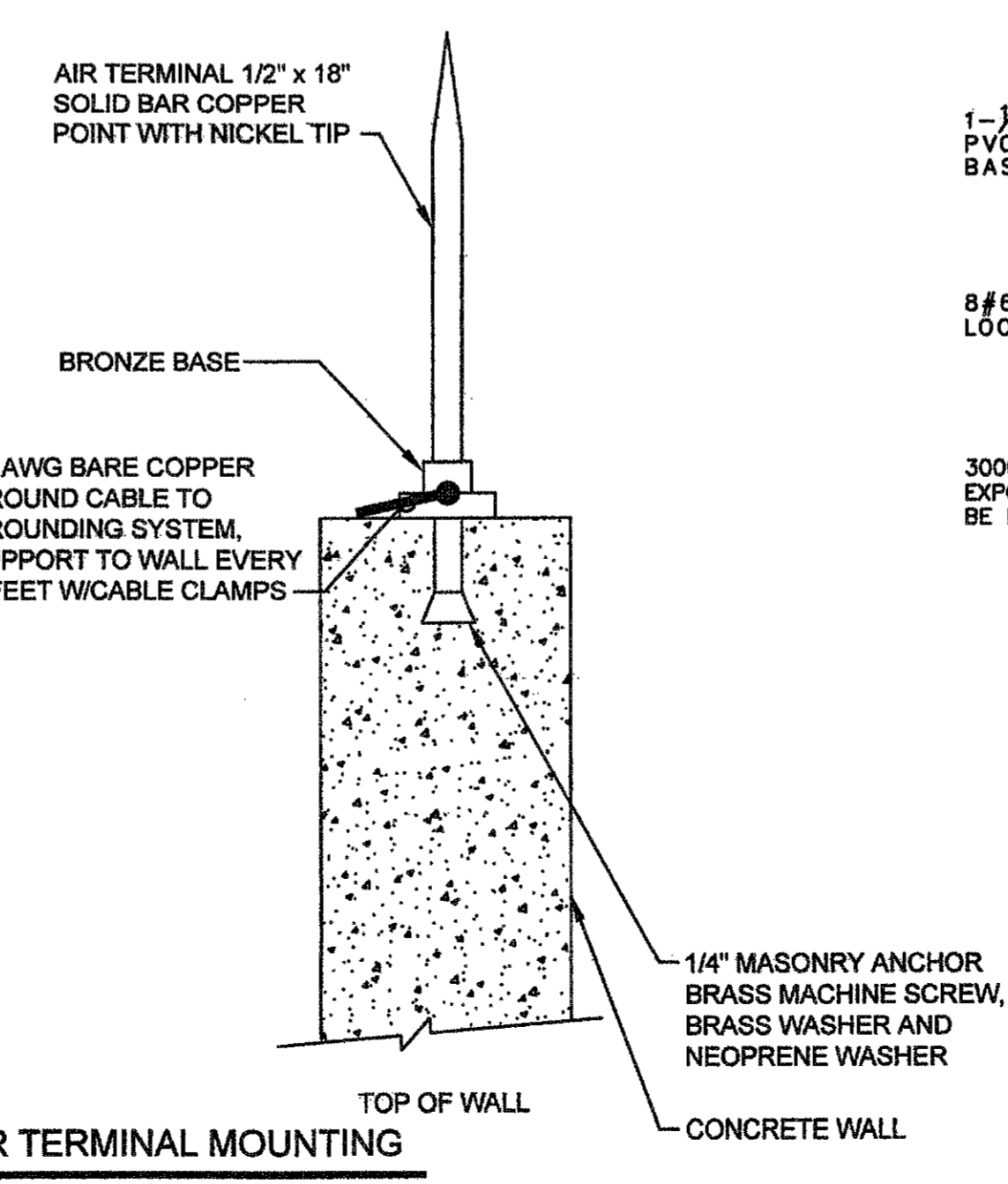
5 FREE STANDING RECEPTACLE MOUNTING
 E0-606 SCALE: NONE
 NOTE: ALL HARDWARE TO BE STAINLESS STEEL.



2 EQUIPMENT MOUNTING AND SUPPORT
 E0-606 SCALE: NONE
 NOTES:
 1. SIMILAR INSTALLATION FOR FLOOR MOUNTED AND FREE-STANDING PANELS, DEVICES AND EQUIPMENT.
 2. MOUNTING HEIGHT SHALL BE AS APPLICABLE FOR NON-HAZARDOUS AND HAZARDOUS AREAS.

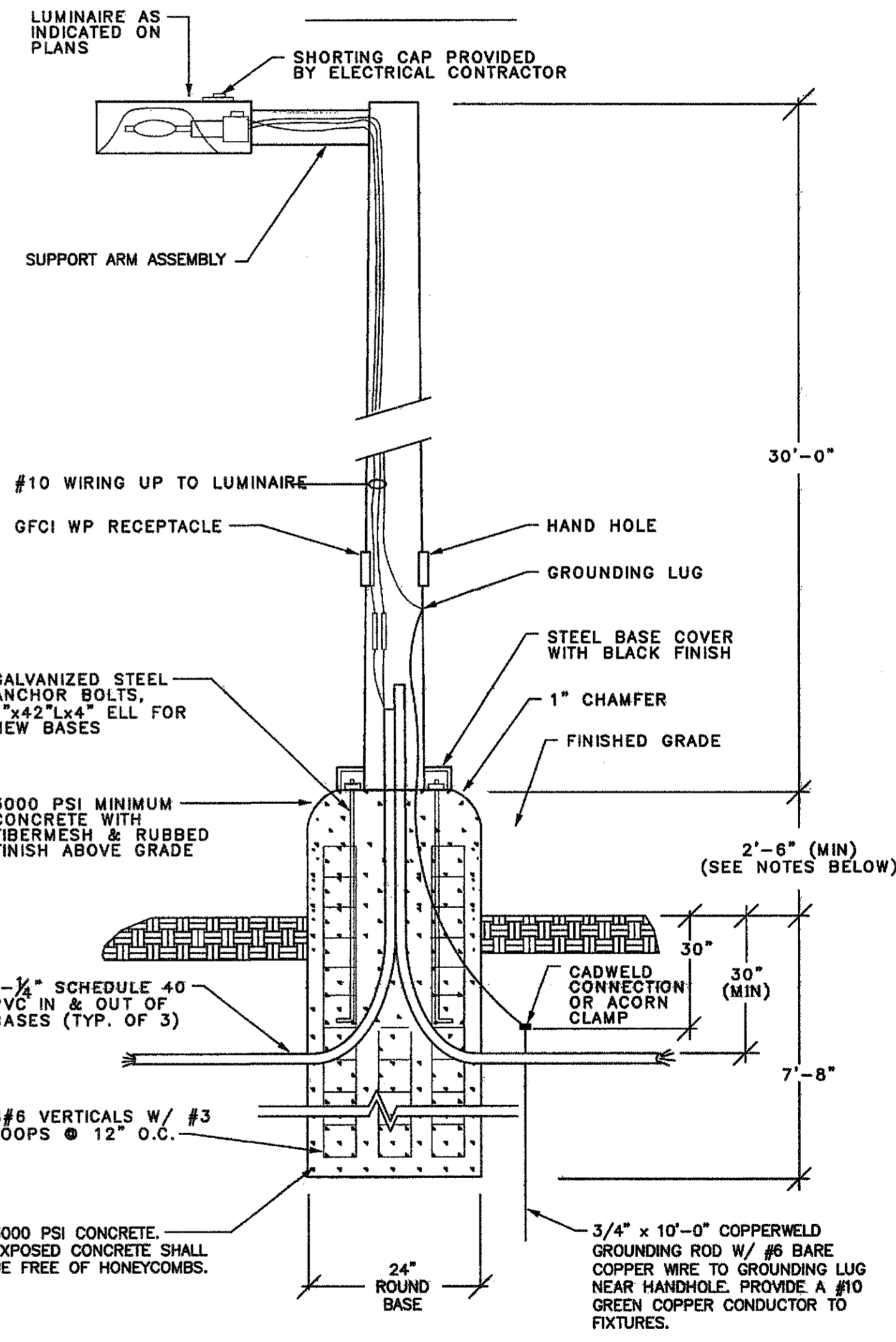


6 LIGHTNING AIR TERMINAL MOUNTING
 E0-606 SCALE: NONE

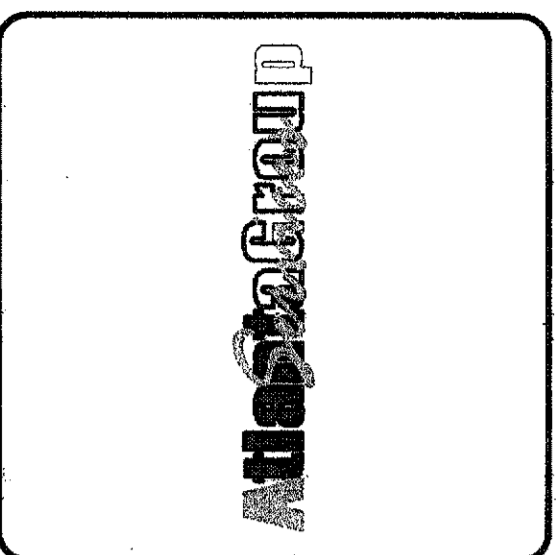


7 TYPICAL POLE BASE DETAIL
 E0-606 SCALE: NONE

NOTES:
 1. SIGNED AND SEALED POLE BASE DRAWINGS ARE TO BE PROVIDED BY A LICENSED STRUCTURAL ENGINEER. THE CONTRACTOR IS RESPONSIBLE FOR ALL EXPENSES INVOLVED IN OBTAINING THESE DRAWINGS.



NOTE:
 ALL LOCATIONS AND DIMENSIONS FOR ANCHOR BOLTS ETC. SHALL BE VERIFIED IN FIELD BY THE ELECTRICAL CONTRACTOR WITH BOLTS FURNISHED BY POLE MANUFACTURER.



PEACHTREE CREEK SOUTH FORK
 RELIEF STORAGE AND PUMPING STATION

REV	DATE	DESCRIPTION
0	10/28/12	100 PERCENT BID PACKAGE

THIS LINE IS ONE INCH LONG WHEN PLOTTED FULL SCALE		
THIS DRAWING MUST BE USED IN CONJUNCTION WITH THE APPLICABLE OR GOVERNING TECHNICAL SPECIFICATIONS AND OTHER CONTRACT DOCUMENTS.		
PROJECT NO:	FC-6260	
PROJECT START DATE:	APRIL 2012	
RESP PROF:	DESIGNER:	CHECKER:
KCV	AWP	WFR
SHEET TITLE		
ELECTRICAL		
00 - GENERAL		
INSTALLATION DETAILS		
..		
..		
SHEET NO.	E0-606	REV. 0