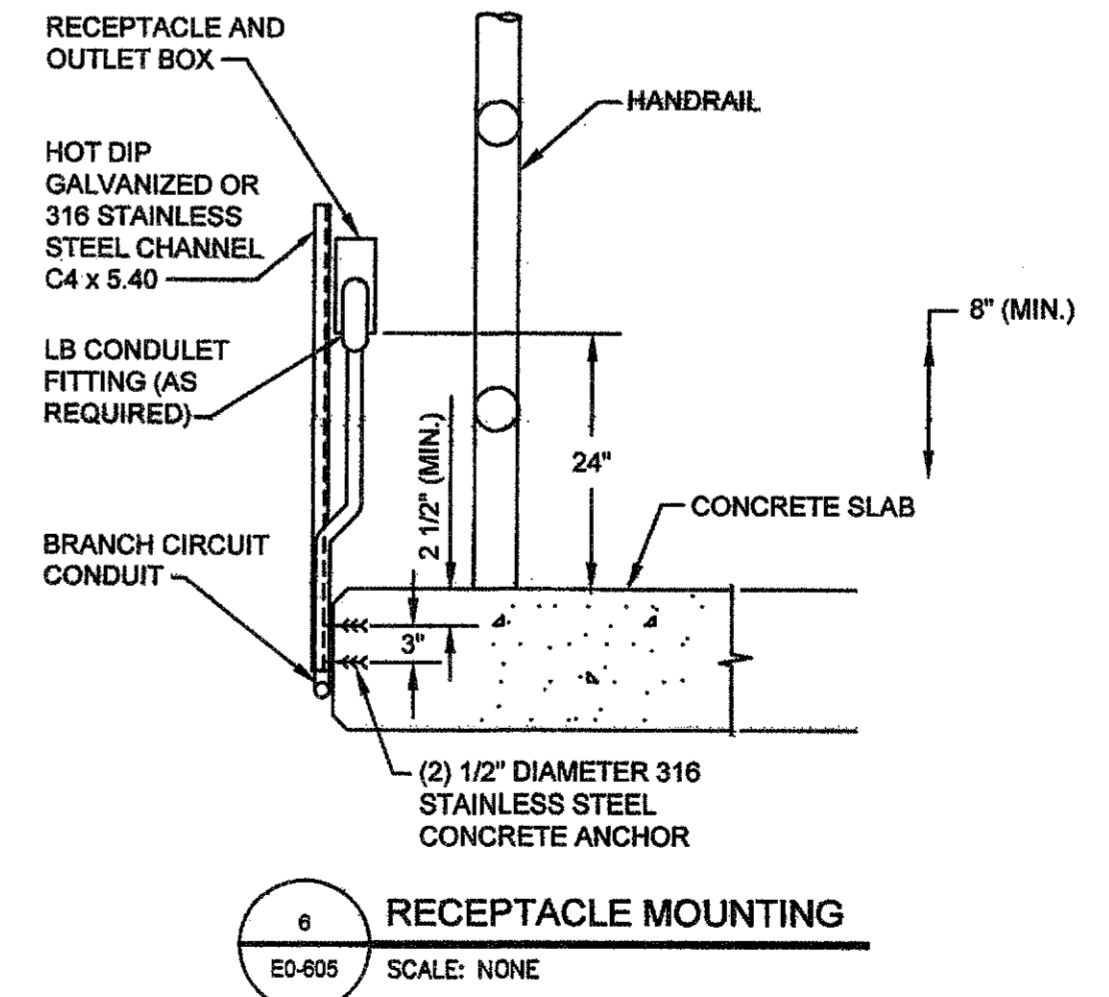
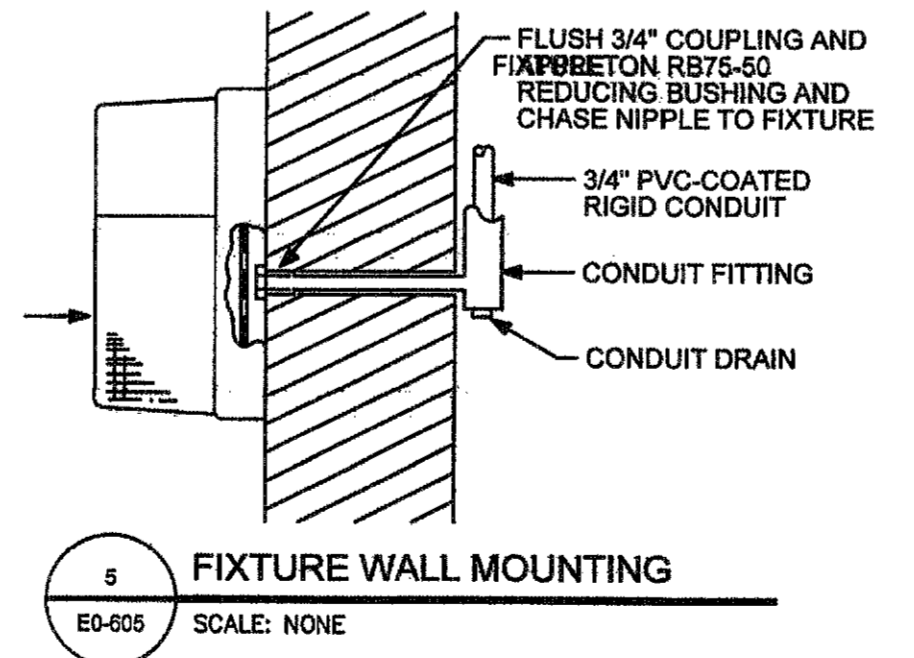
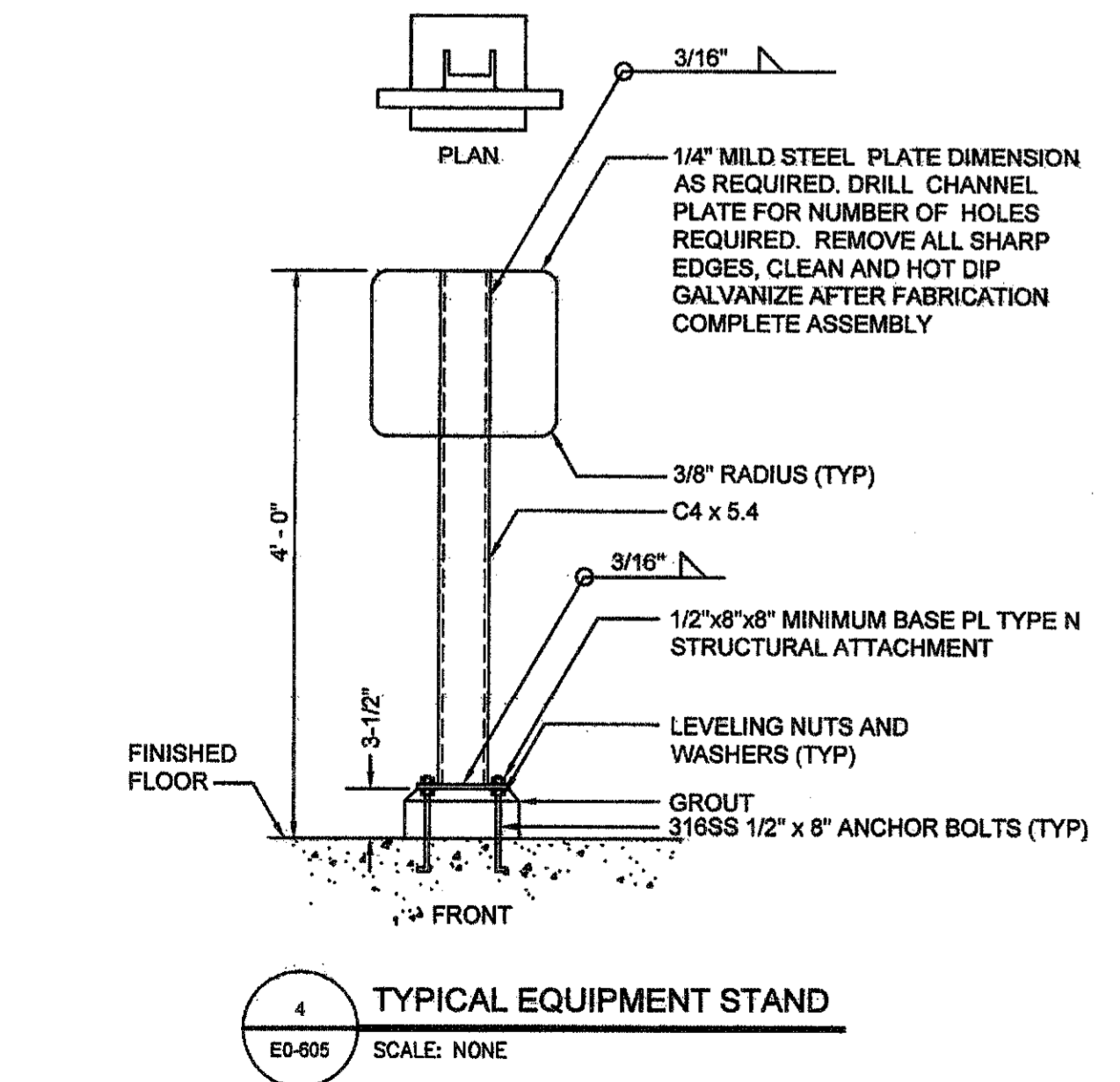


GENERAL NOTES

1. PROVIDE VERTICAL RISER CABLE OR EQUAL FOR EACH PUMP WITH MESSENGER CABLES ATTACHED TO THEM. MESSENGER CABLE SHALL BE SUPPORTED FROM THE TOP OF THE PUMP STATION.



PEACHTREE CREEK SOUTH FORK
RELIEF STORAGE AND PUMPING STATION

CITY OF ATLANTA
DEPARTMENT OF WATERSHED MANAGEMENT

REV	DATE	DESCRIPTION
0	10/26/12	100 PERCENT BID PACKAGE

THIS LINE IS ONE INCH LONG WHEN PLOTTED FULL SCALE.
THIS DRAWING MUST BE USED IN CONJUNCTION WITH THE APPLICABLE OR GOVERNING TECHNICAL SPECIFICATIONS AND OTHER CONTRACT DOCUMENTS.

PROJECT NO: FC-6250
DATE: OCTOBER 2012

RESP PROF: KCV
DESIGNER: AWP
CHECKER: WRF

SHEET TITLE
ELECTRICAL
00 - GENERAL
INSTALLATION DETAILS

SHEET NO. E0-605 REV. 0