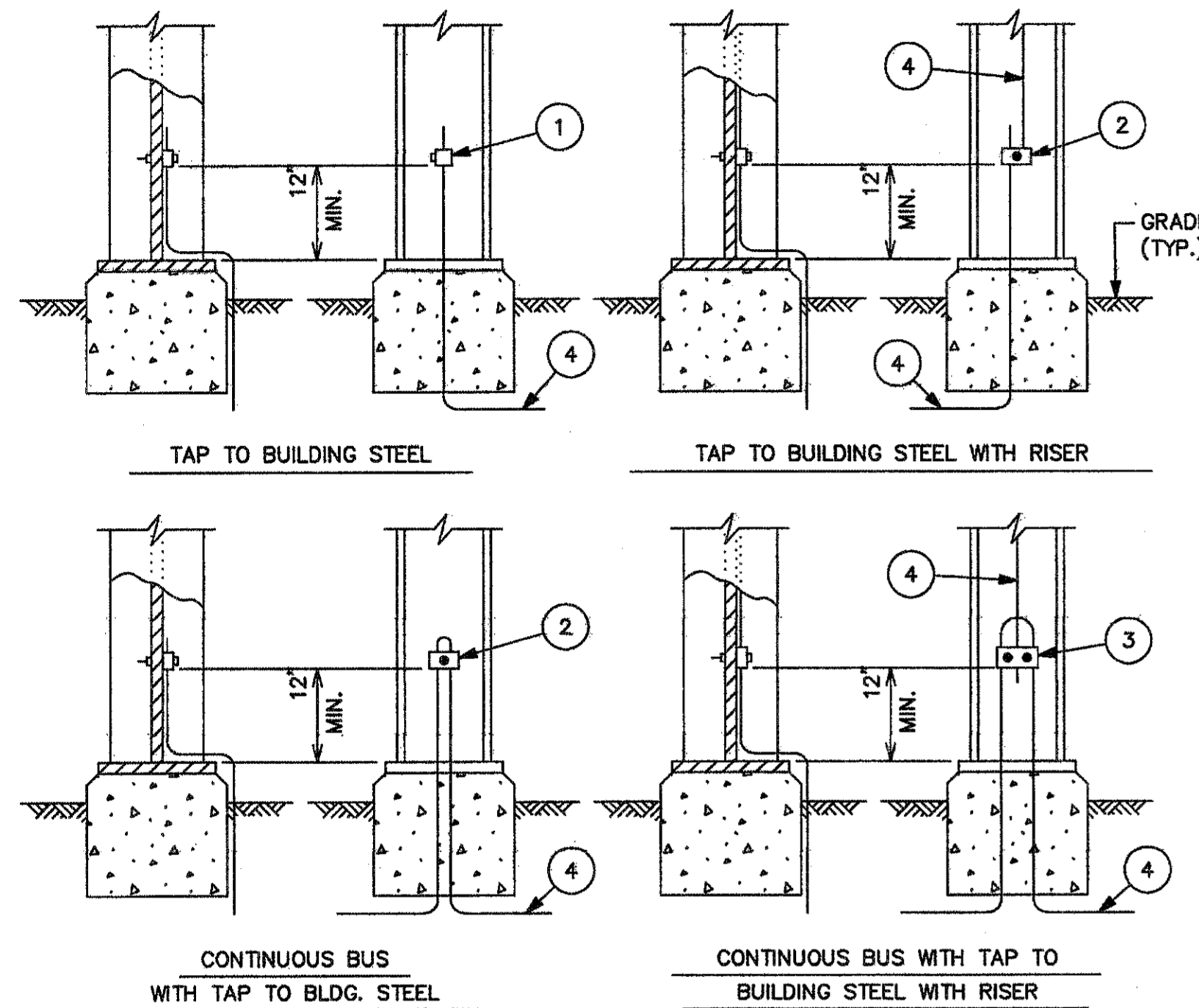


MATERIALS LIST

MARK	DESCRIPTION	SIZE
①	CONNECT, GROUND, FOR CABLE TO FLAT BAR OR BUILDING STEEL	RANGE AS REQUIRED
②	CONNECT, GROUND, FOR TWO CABLES TO FLAT BAR OR BUILDING STEEL	RANGE AS REQUIRED
③	CONNECT, GROUND, FOR THREE CABLES TO FLAT BAR OR BUILDING STEEL	RANGE AS REQUIRED
④	CABLE, COPPER, SOFT DRAWN, ANNEALED, 1/C, STRANDED	AS REQUIRED

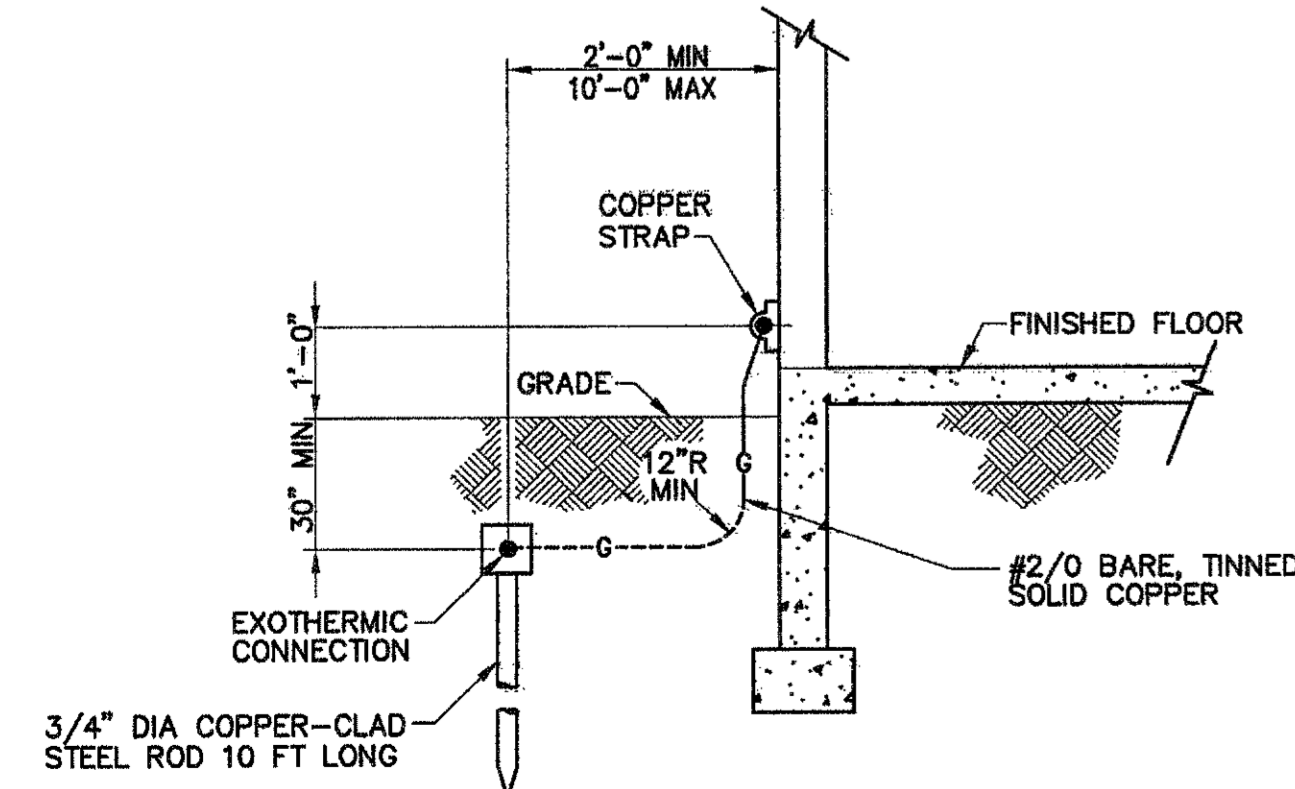


NOTES:

- GROUND CONNECTOR SHALL BE MOUNTED ON WEB OF COLUMN
- AREA ON COLUMN FOR SECURING CONNECTOR SHALL BE CLEANED WITH WIRE BRUSH TO INSURE GOOD CONTACT.
- PROVIDE CONDUIT FLOOR SLEEVES WHERE APPLICABLE.

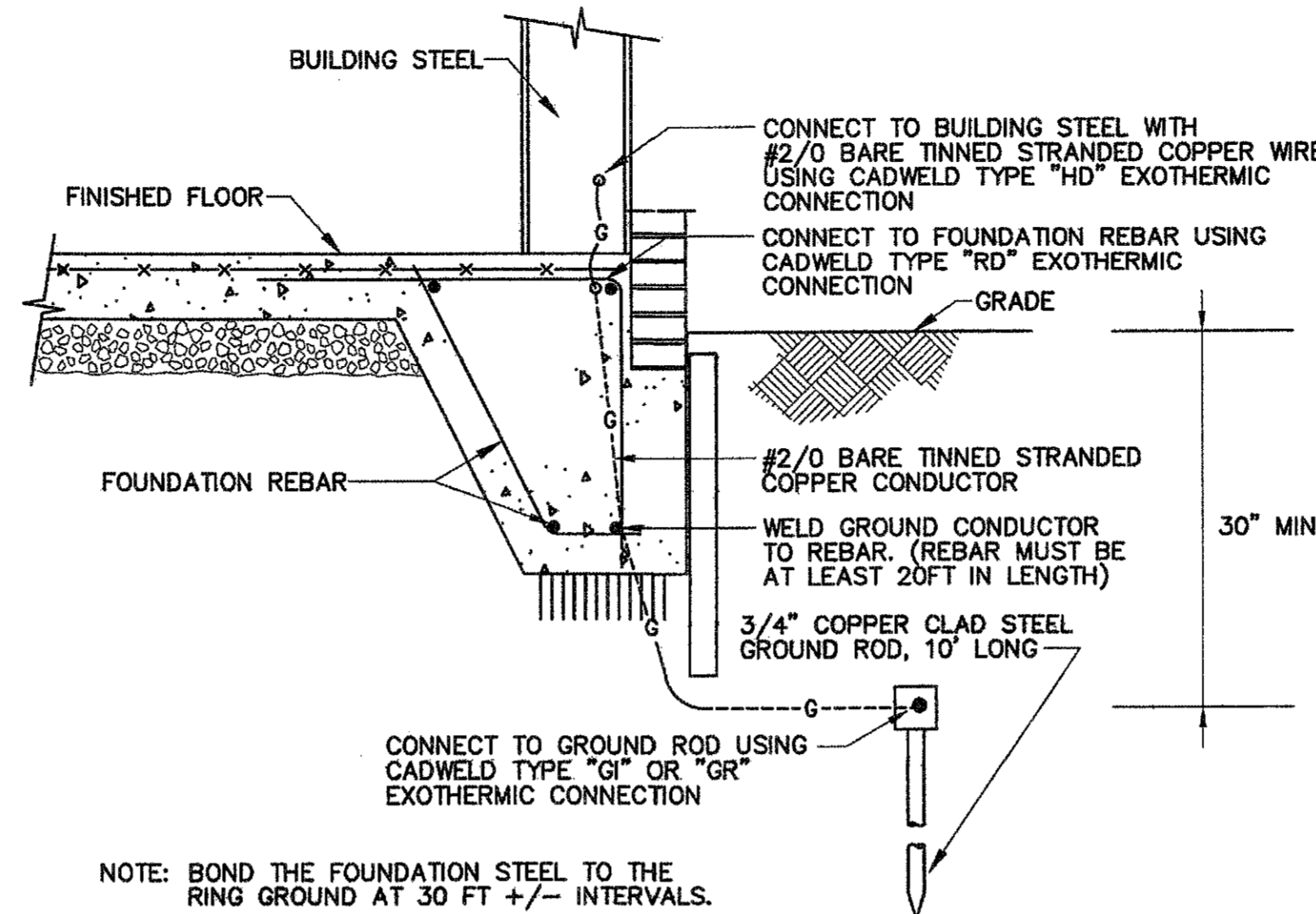
① GROUND BOND TO BUILDING STEEL

E0-602 SCALE: NONE



② ABOVE GRADE GROUNDING LOOP

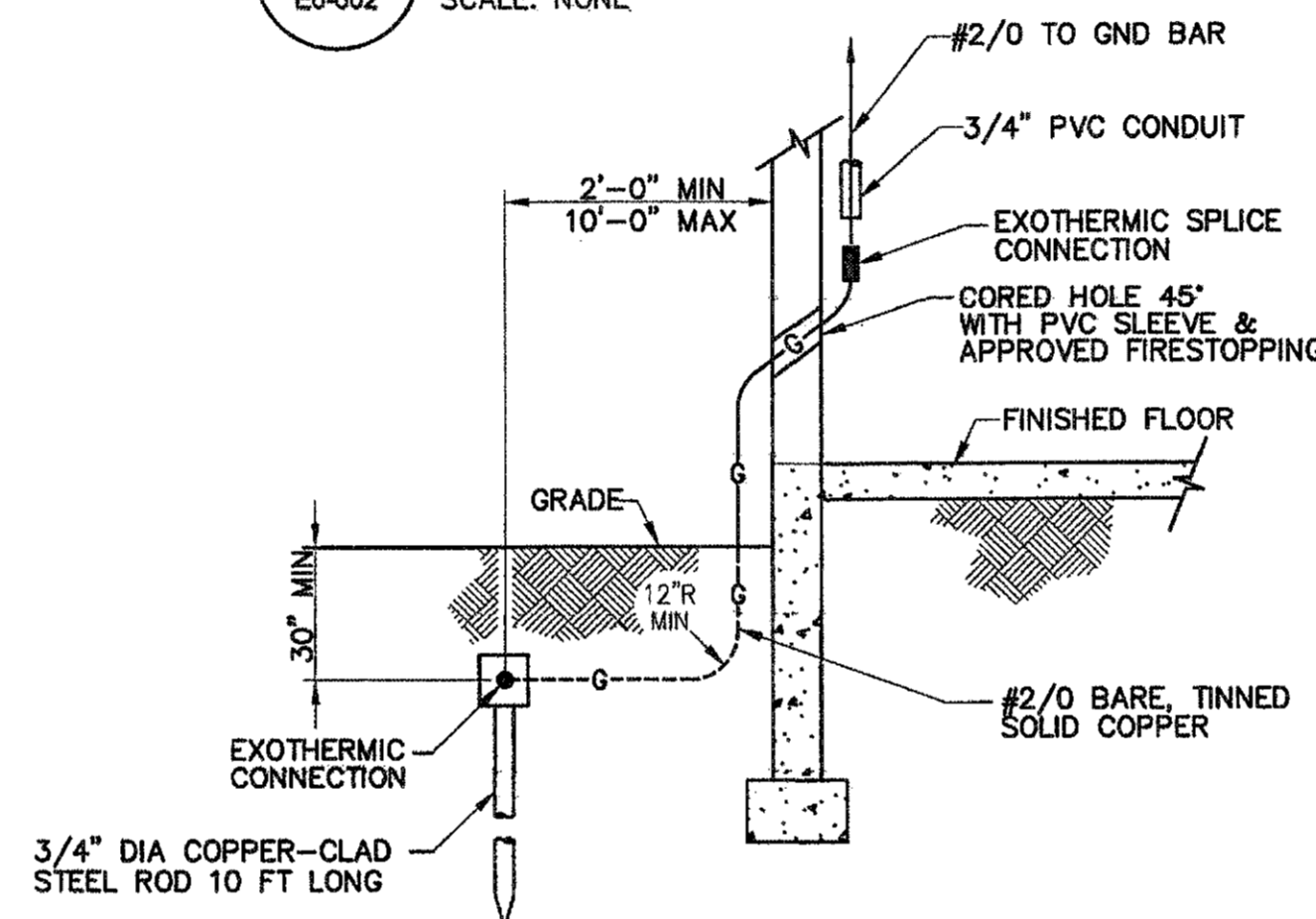
E0-602 SCALE: NONE



NOTE: BOND THE FOUNDATION STEEL TO THE RING GROUND AT 30 FT +/- INTERVALS.

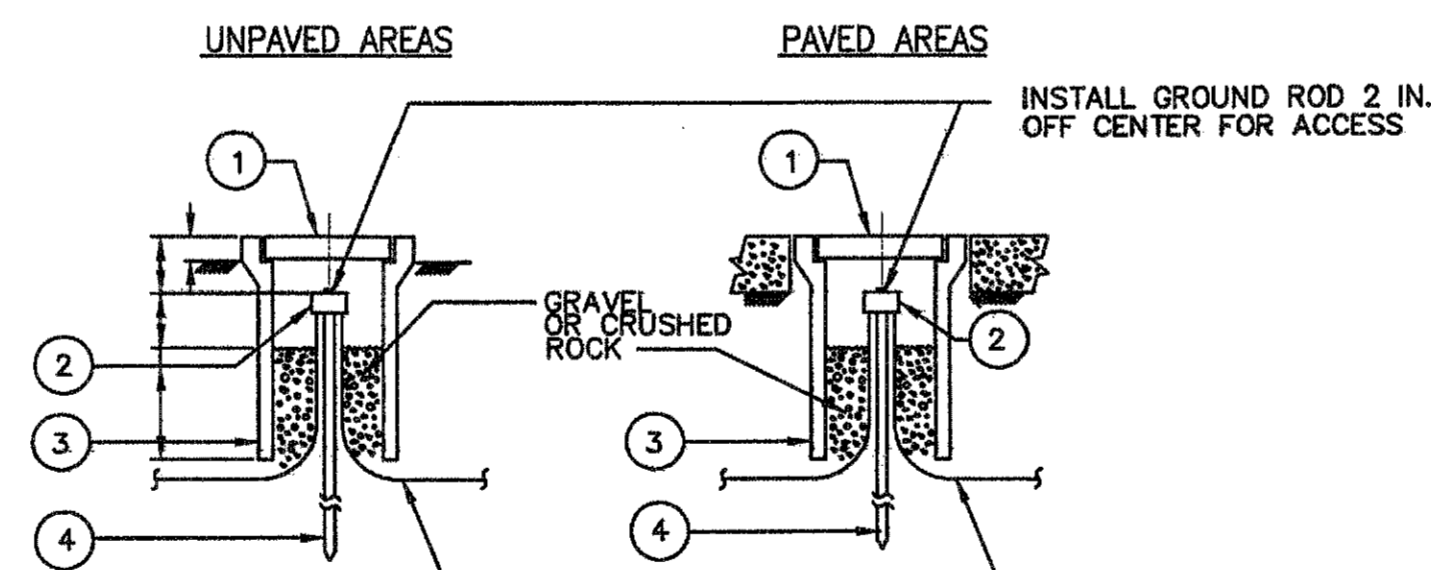
③ TYPICAL FOUNDATION GROUNDING

E0-602 SCALE: NONE



④ GROUNDING CONDUIT SLEEVE

E0-602 SCALE: NONE



MATERIALS LIST

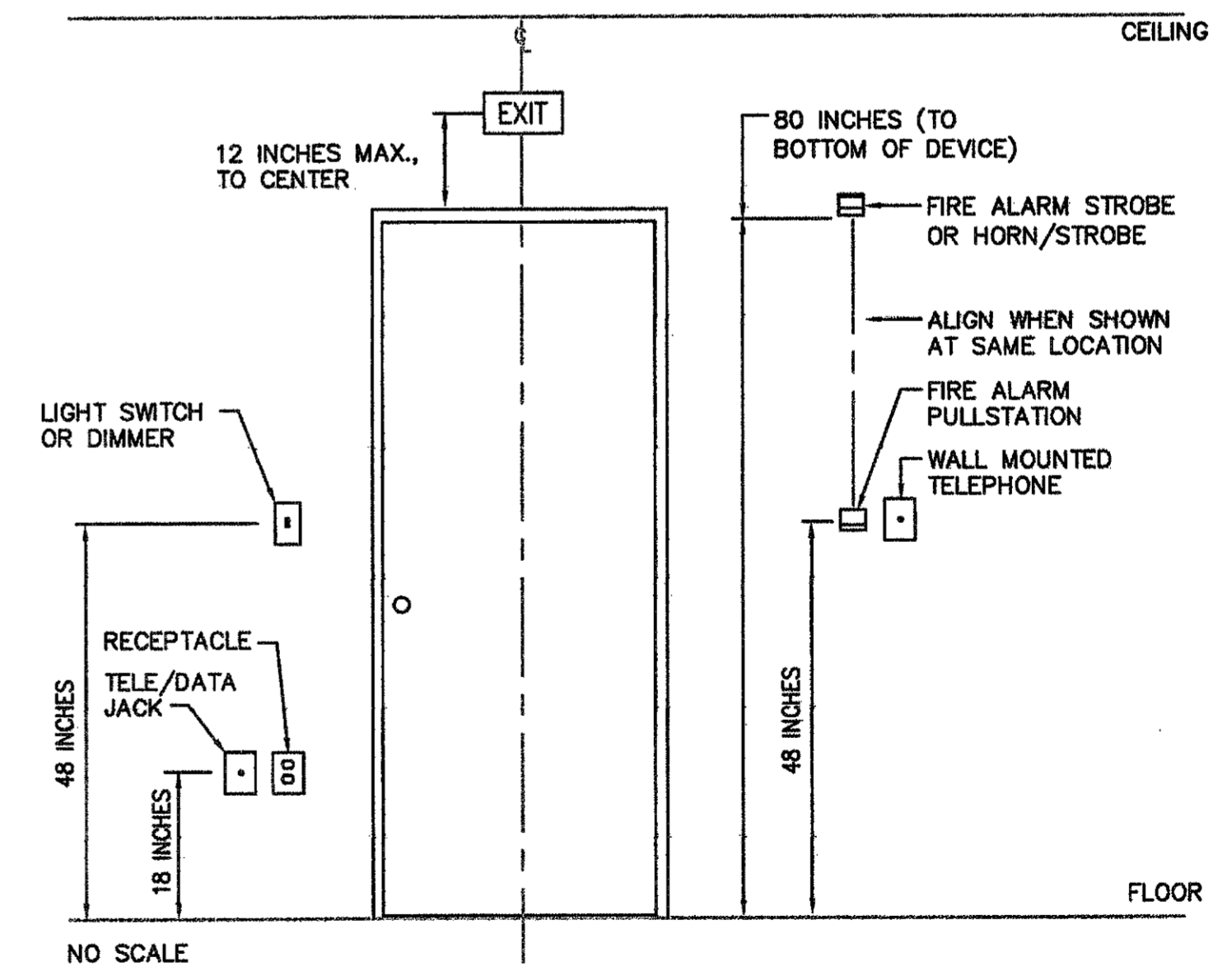
MARK	DESCRIPTION	SIZE
①	CAST IRON OR STAINLESS STEEL COVER	AS REQUIRED
②	GROUNDING CONNECTION	AS NOTED/SPECIFIED
③	PVC WELL (8" MIN. DIA. X 24" DEEP)	AS REQUIRED
④	GROUND ROD COPPER-CLAD STEEL 3/4" DIA X 10'-0"	AS NOTED/SPECIFIED

⑤ GROUND ROD AND TEST WELL

E0-602 SCALE: NONE

GROUNDING INSTALLATION NOTES:

- GROUNDING CONDUCTORS SHALL BE #4/0 BARE TINNED SOLID COPPER WIRE BURIED TO A DEPTH OF 30 INCHES BELOW FINISHED GRADE MINIMUM AND 2 TO 10 FEET FROM EXTERIOR WALL.
- ALL UNDERGROUND OR UNDER SLAB CONNECTIONS SHALL BE EXOTHERMIC WELDS. GROUNDING CONDUCTORS UNDER SLAB SHALL BE PLACED AT THE BOTTOM OF EXCAVATION.
- CLEAN ALL METAL SURFACES TO BRIGHT/BARE METAL PRIOR TO INSTALLING CLAMPS OR MAKING EXOTHERMIC CONNECTIONS. RE-COAT ALL CONNECTIONS WITH NO-OX-ID "A" COMPOUND AFTER INSTALLATION.
- LOCATION OF GROUNDING CONDUCTORS, GROUND RODS AND TEST WELL(S) ARE SHOWN DIAGRAMMATICALLY ONLY. CONTRACTOR SHALL FIELD ROUTE TO DETERMINE EXACT LOCATION.
- GROUND RODS SHALL BE 3/4" INCH COPPER CLAD STAINLESS STEEL, 10 FEET LONG AND DRIVEN TO A DEPTH OF 30 INCHES BELOW FINISHED GRADE MINIMUM.
- THE RESISTANCE OF THE GROUNDING SYSTEM SHALL BE 3 OHMS OR LESS.
- GROUNDING CONDUCTORS TERMINATED AT EQUIPMENT GROUND BUS SERVING AS THE BUILDING PRINCIPLE GROUNDING POINT AND THAT COULD BE INADVERTENTLY DISCONNECTED, SHALL BE EQUIPPED WITH A "DO NOT DISCONNECT" TAG AND A TAG IDENTIFYING THE LEAD AND FAR END TERMINATION.
- SEE DIVISION 16 SPEC. SECTION AND NFPA 70, ART. 250 FOR ADDITIONAL GROUNDING REQUIREMENTS.
- GROUNDING CONDUCTORS SHALL BE ROUTED AWAY FROM AND NOT OVER TELECOMMUNICATIONS ELECTRONIC SWITCH EQUIPMENT.
- BUILDING STEEL, RE-BAR AND EQUIPMENT HAVING A GROUND CONNECTION SHALL BE BONDED TO THE GROUNDING SYSTEM USING #2/0 BARE TINNED STRANDED COPPER CONDUCTOR EXOTHERMICALLY WELDED TO THE GROUNDING SYSTEM CONDUCTOR. ATTACHMENT TO EQUIPMENT SHALL BE MADE USING 2-HOLE COMPRESSION LUGS.
- WHERE A BARE GROUNDING CONDUCTOR IS RUN IN PVC CONDUIT, DO NOT COMPLETELY ENCIRCLE CONDUIT WITH METAL HANGER OR SUPPORT DEVICES; AND DO NOT RUN THROUGH METAL BAR JOIST SUCH THAT GROUND CONDUCTOR COULD BE ENCIRCLED.
- GROUNDING SYSTEM CONDUCTORS AND CONNECTIONS SHALL BE ENTIRELY SEPARATED FROM, BUT BONDED TO AREA LIGHTNING PROTECTION SYSTEM ACCORDING TO NFPA REQUIREMENTS.
- A SEPARATE, DEDICATED GROUNDING SYSTEM FOR CONTROL SYSTEM EQUIPMENT SHALL BE PROVIDED, BUT BONDED TO GROUNDING SYSTEM CONDUCTORS IN ACCORDANCE WITH NFPA REQUIREMENTS.

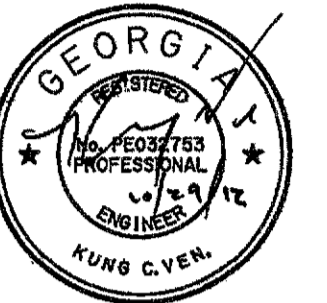


NOTES:

- ALL DIMENSIONS ARE TO CENTERLINE OF DEVICE, UNLESS OTHERWISE NOTED.
- DEVICES SHOWN IN THIS DETAIL ARE FOR MOUNTING HEIGHT REFERENCE ONLY, AND NOT FOR LOCATIONS. SEE DRAWINGS FOR ACTUAL LOCATIONS, FOR EXAMPLE, ADJACENT DEVICES SHALL BE NO MORE THAN 2" APART.
- WHERE EXIT LIGHT IS MOUNTED ABOVE A DOUBLE DOOR, CENTER EXIT LIGHT BETWEEN DOORS.

⑥ TYPICAL DEVICE MOUNTING HEIGHT DETAIL

E0-602 SCALE: NONE



PEACHTREE CREEK SOUTH FORK RELIEF STORAGE AND PUMPING STATION



DEPARTMENT OF WATERSHED MANAGEMENT

NO.	DATE	REV	DESCRIPTION
0	10/28/12	0	100 PERCENT BID PACKAGE

THIS LINE IS ONE INCH LONG WHEN PLOTTED FULL SCALE

THIS DRAWING MUST BE USED IN CONJUNCTION WITH THE APPLICABLE OR GOVERNING TECHNICAL SPECIFICATIONS AND OTHER CONTRACT DOCUMENTS.

PROJECT NO: FC-6260

DATE: OCTOBER 2012

RESP PROF: KCV    DESIGNER: AWP    CHECKER: WFR

SHEET TITLE

ELECTRICAL

00 - GENERAL

DETAILS

..

..

SHEET NO. E0-602    REV. 0