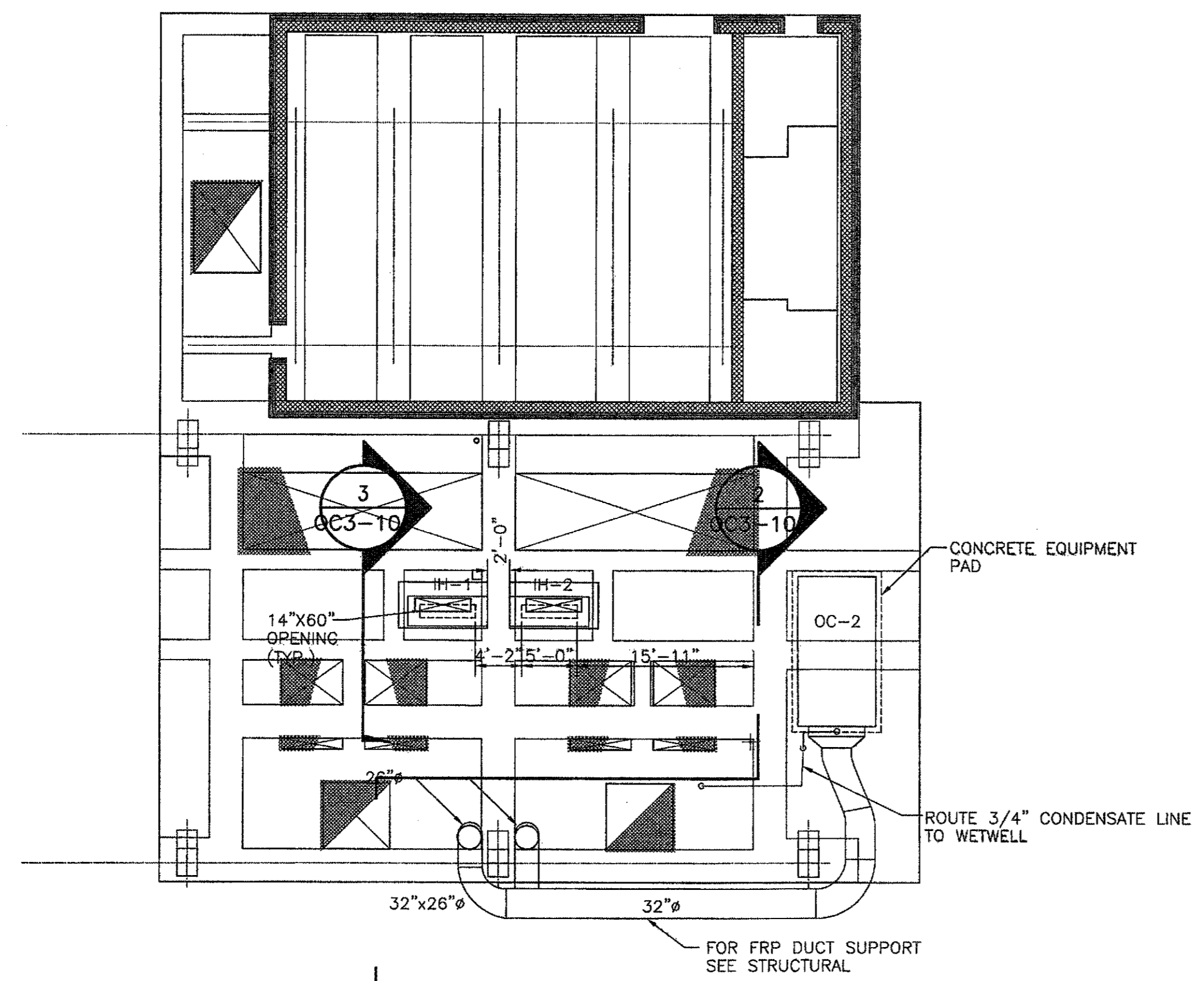
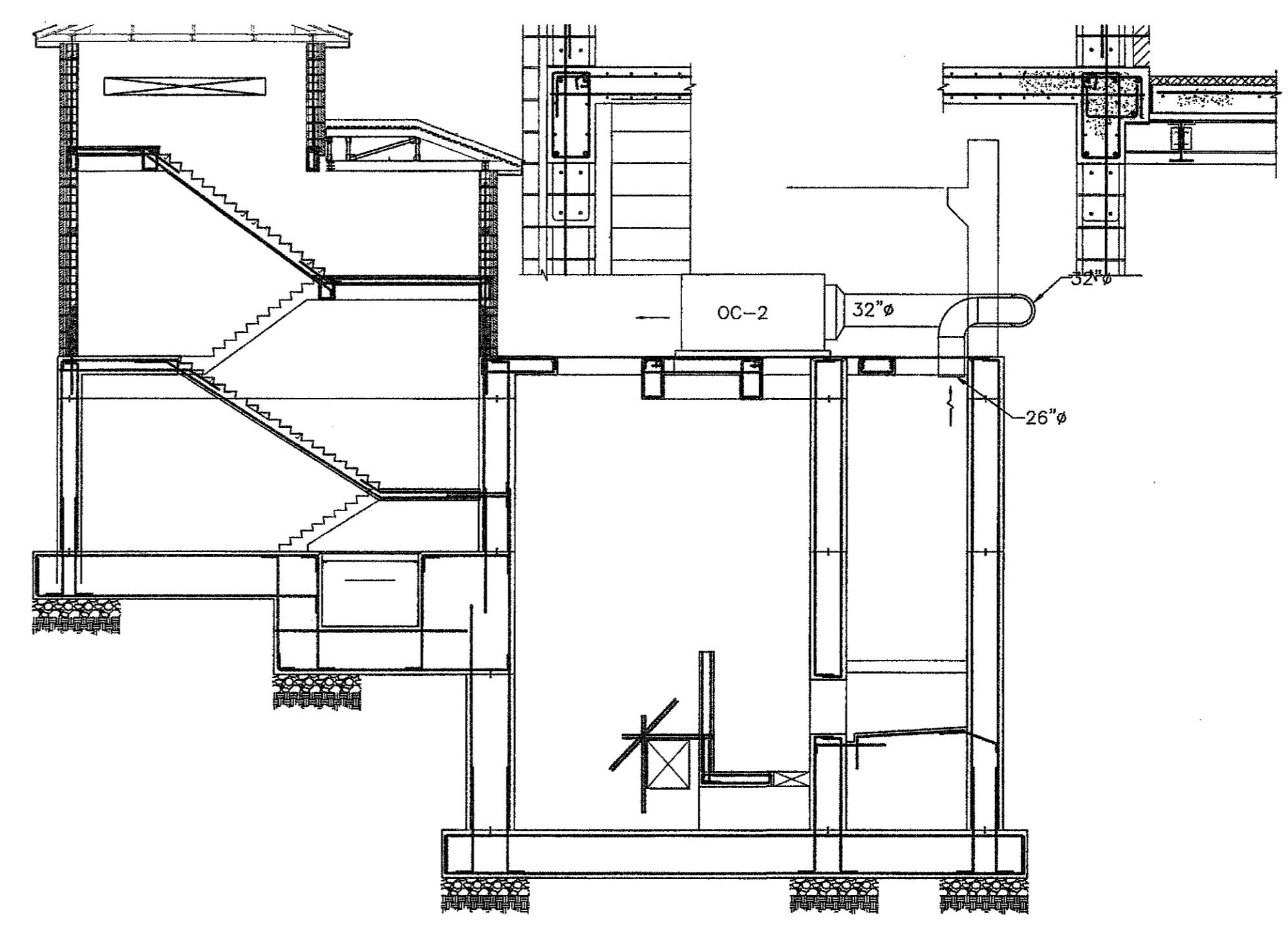


1 2 3 4 5 6 7 8

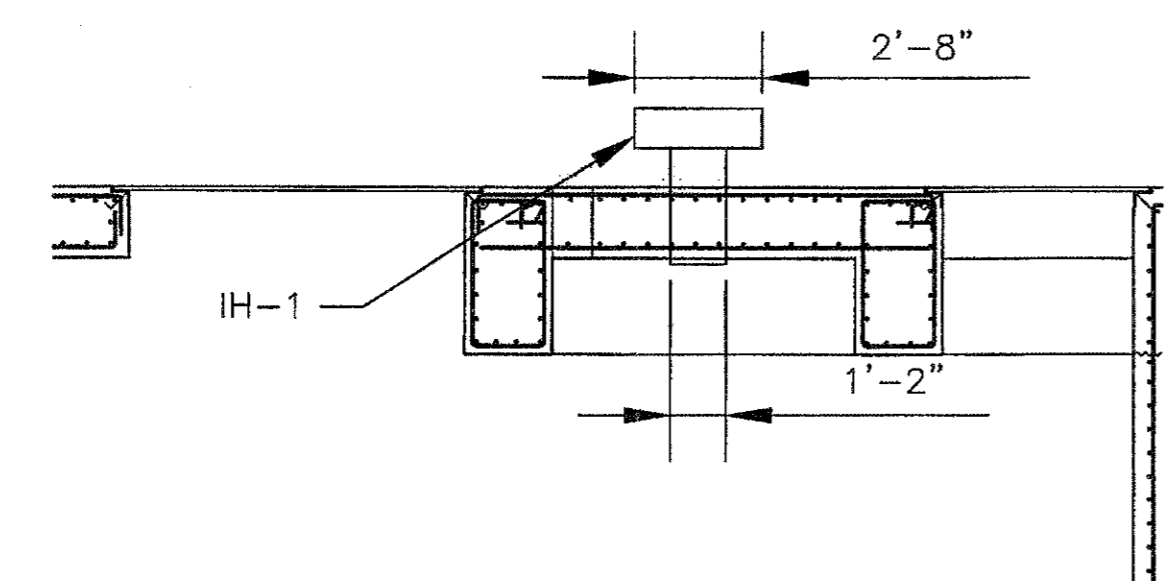
F
E
D
C
B
A



1 TOP PLAN
OC3-101 SCALE: 1/8" = 1'-0"



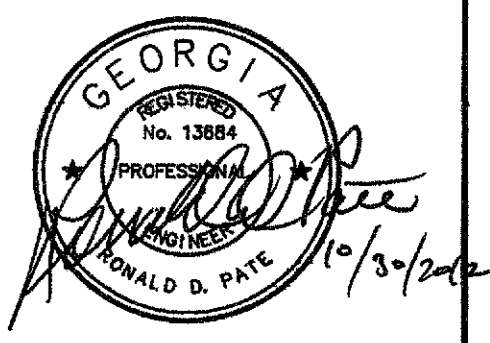
2 SECTION
OC3-101 SCALE: 1/8" = 1'-0"



3 SECTION
OC3-101 SCALE: 1/4" = 1'-0"

NOTES:

1. SEE STRUCTURAL DRAWINGS FOR ODOR CONTROL DUCT CONNECTION DETAIL TO DIVERSION STRUCTURE.
2. SLOPE FRP DUCT 1/4" PER FOOT TOWARD PUMP STATION/DIVERSION STRUCTURE.
3. FRP DUCT IS SPECIFIED IN SPECIFICATIONS SECTION 15898.
4. ALL FRP DUCT SHALL HAVE A UV AND CORROSION RESISTANT LIGHT GRAY GELCOAT.



PEACHTREE CREEK SOUTH FORK
RELIEF STORAGE AND PUMPING STATION

CITY OF ATLANTA
DEPARTMENT OF WATERSHED MANAGEMENT

REV	DATE	DESCRIPTION
0	10/28/12	100 PERCENT BID PACKAGE

THIS LINE IS ONE INCH LONG WHEN PLOTTED FULL SCALE.
THIS DRAWING MUST BE USED IN CONJUNCTION WITH THE APPLICABLE OR GOVERNING TECHNICAL SPECIFICATIONS AND OTHER CONTRACT DOCUMENTS.

PROJECT NO: FC-6260
DATE: OCTOBER 2012

RESP PROF:	DESIGNER:	CHECKER:
RP	LP	JT

SHEET TITLE
ODOR CONTROL
03 - DIVERSION FACILITY PUMP STATION
PLANS AND ELEVATIONS

SHEET NO.	OC3-101	REV.	0
-----------	---------	------	---