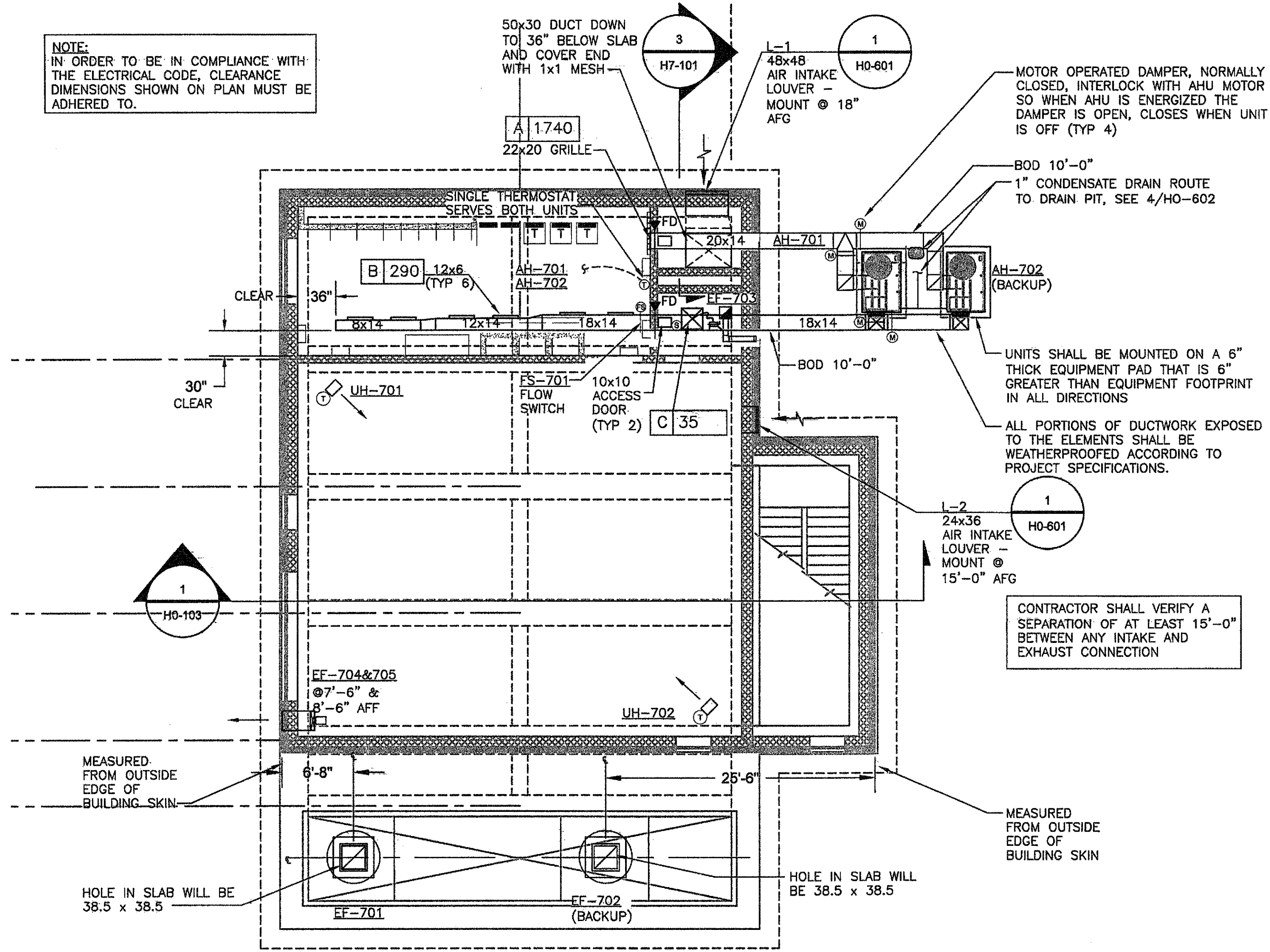


1 2 3 4 5 6 7 8

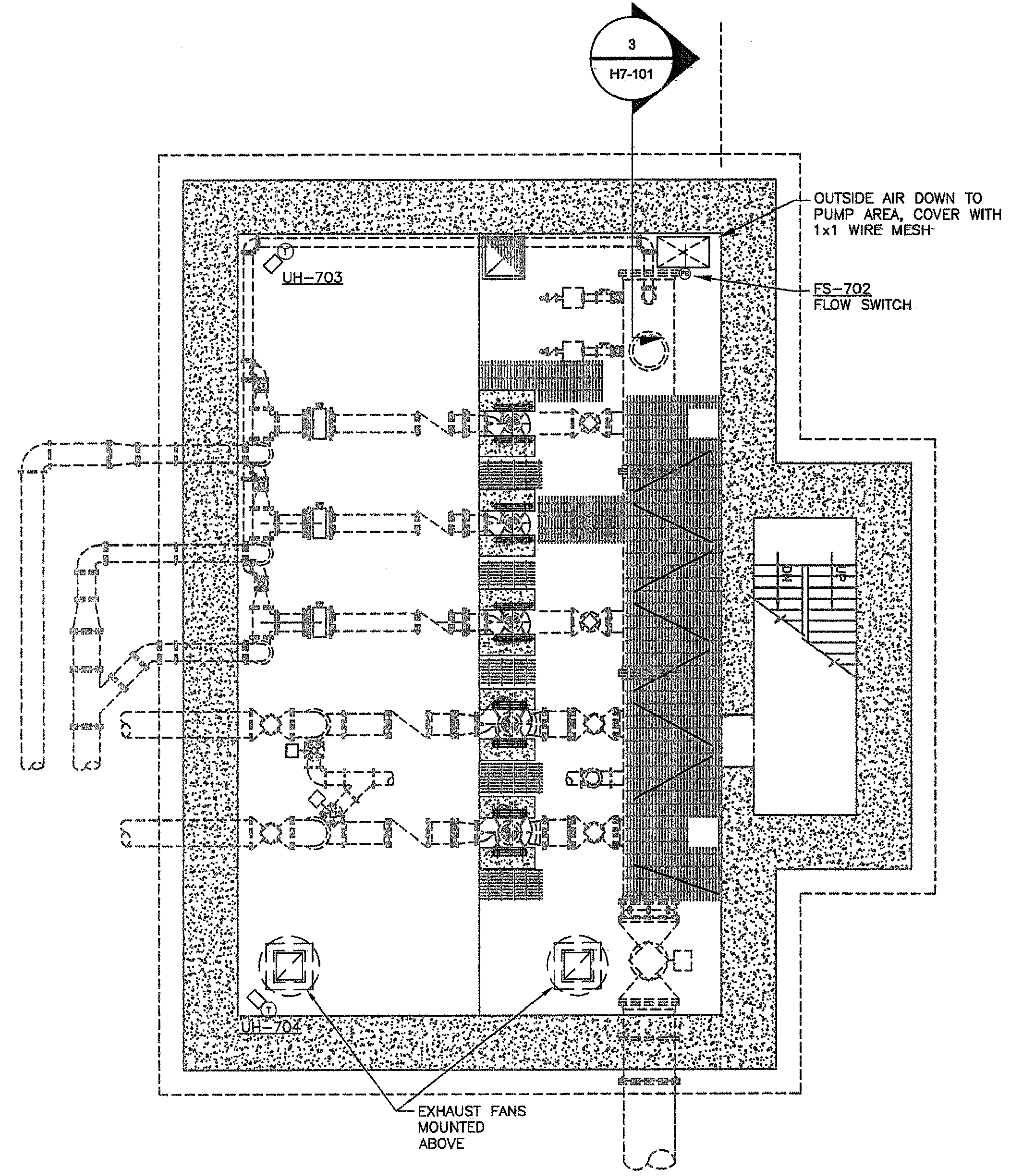
F
E
D
C
B
A

NOTE:
IN ORDER TO BE IN COMPLIANCE WITH
THE ELECTRICAL CODE, CLEARANCE
DIMENSIONS SHOWN ON PLAN MUST BE
ADHERED TO.

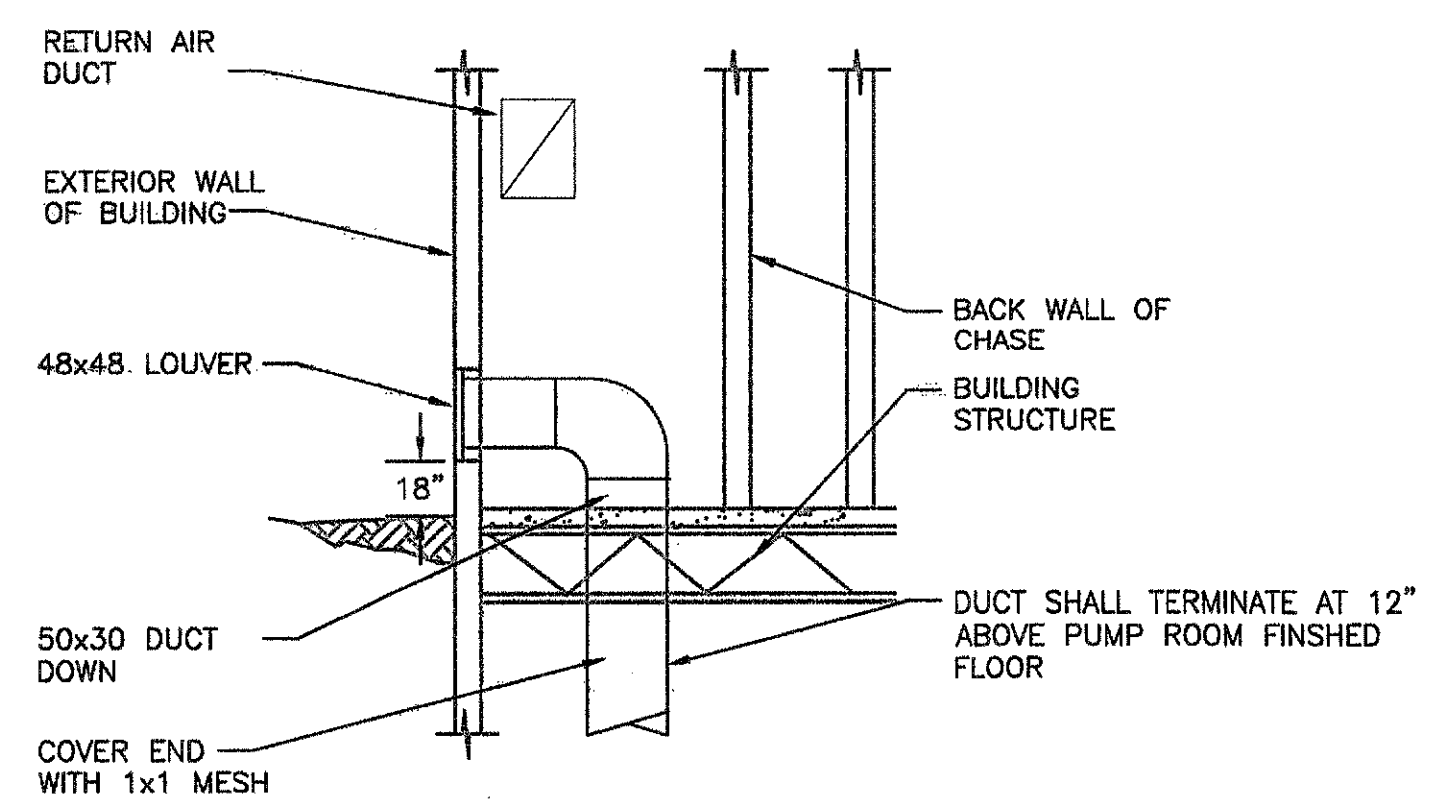


NOTE: SEE DETAIL 8/H0-601 FOR EXHAUST
FAN MOUNTING DETAILS

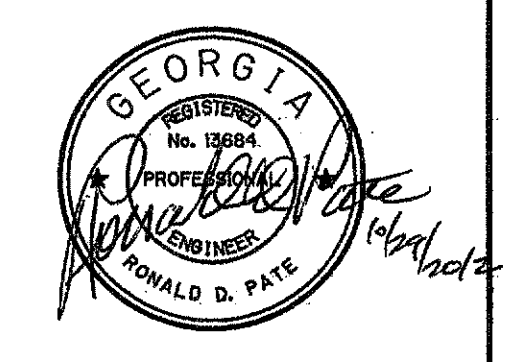
1 JET MIX STATION UPPER LEVEL HVAC PLAN
H7-101 SCALE: 1/8"=1'-0" FIN. FLR. EL. 839'-6"



2 JET MIX STATION LOWER LEVEL HVAC PLAN
H7-101 SCALE: 1/8"=1'-0" FIN. FLR. EL. 795'-9"



3 OUTSIDE AIR DUCT IN SHAFT
H7-101 SCALE: NONE



PEACHTREE CREEK SOUTH FORK
RELIEF STORAGE AND PUMPING STATION



DEPARTMENT OF WATERSHED MANAGEMENT

REV	DATE	REVISION DESCRIPTION
0	10/29/12	100 PERCENT BID PACKAGE

THIS LINE IS ONE INCH LONG WHEN PLOTTED FULL SCALE
THIS DRAWING MUST BE USED IN CONJUNCTION WITH THE APPLICABLE OR GOVERNING TECHNICAL SPECIFICATIONS AND OTHER CONTRACT DOCUMENTS.

PROJECT NO: FC-6260
DATE: OCTOBER 2012
RESP PROF: RP DESIGNER: DC CHECKER: JST

SHEET TITLE
HVAC
07 - JET MIXING PUMP STATION
PLANS

SHEET NO. H7-101 REV. 0