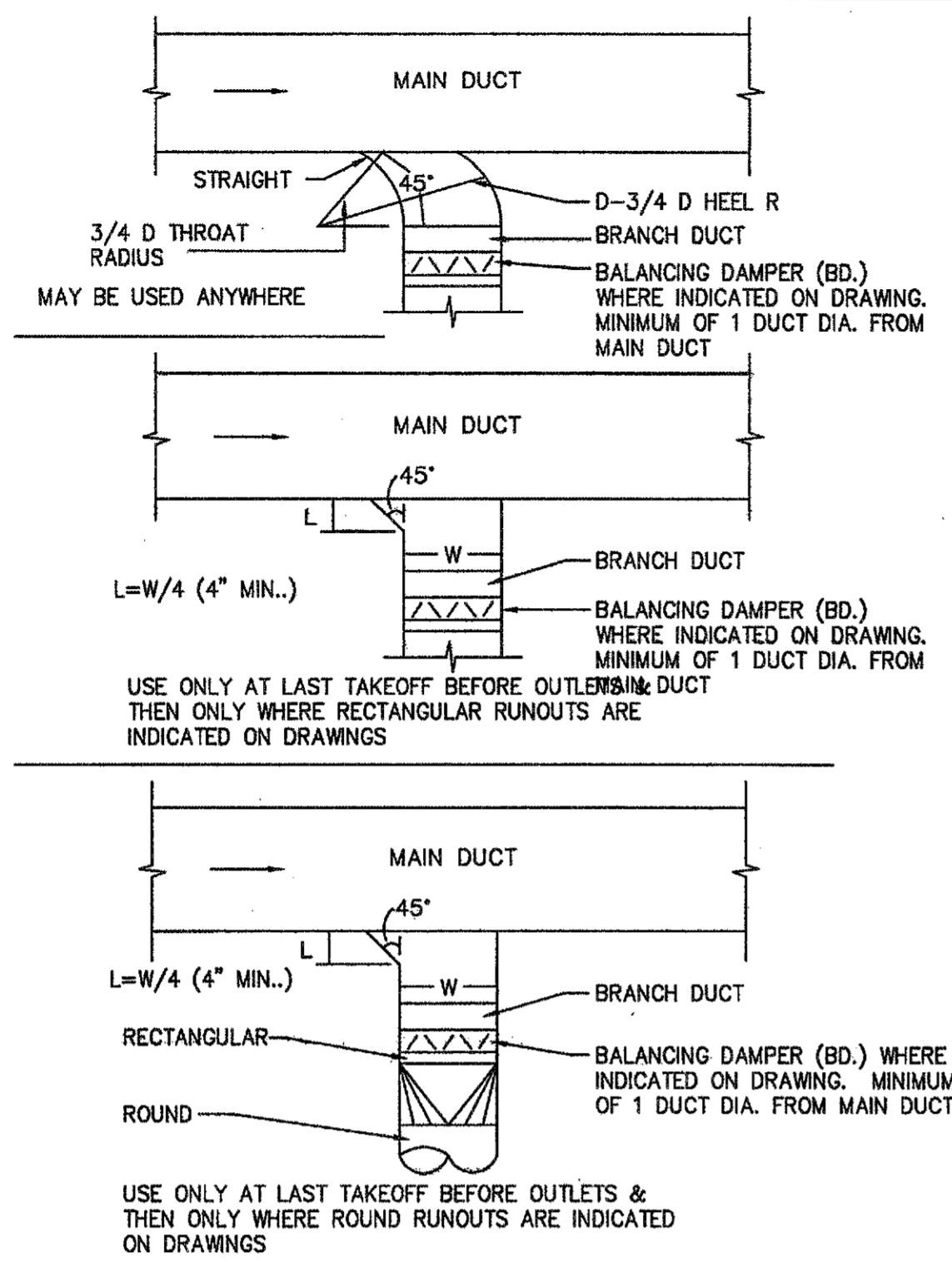
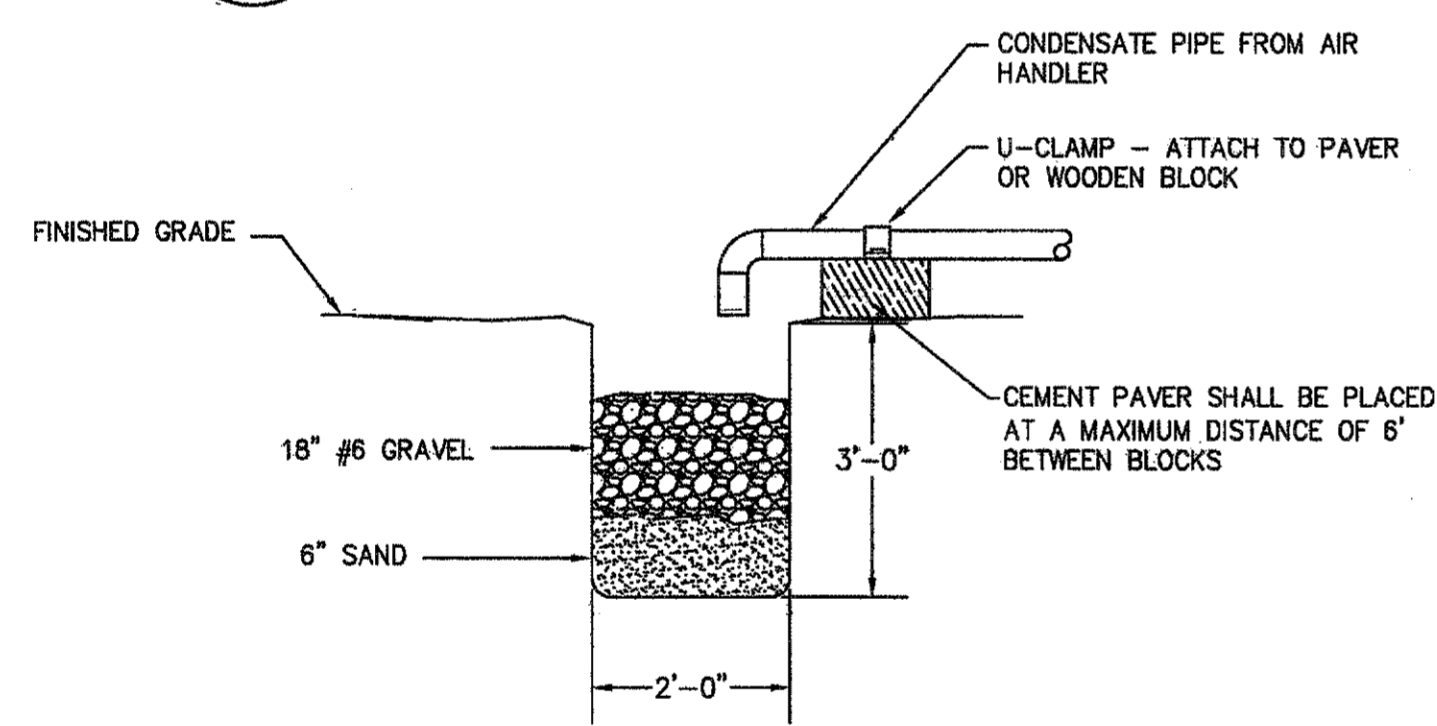


1 2 3 4 5 6 7 8

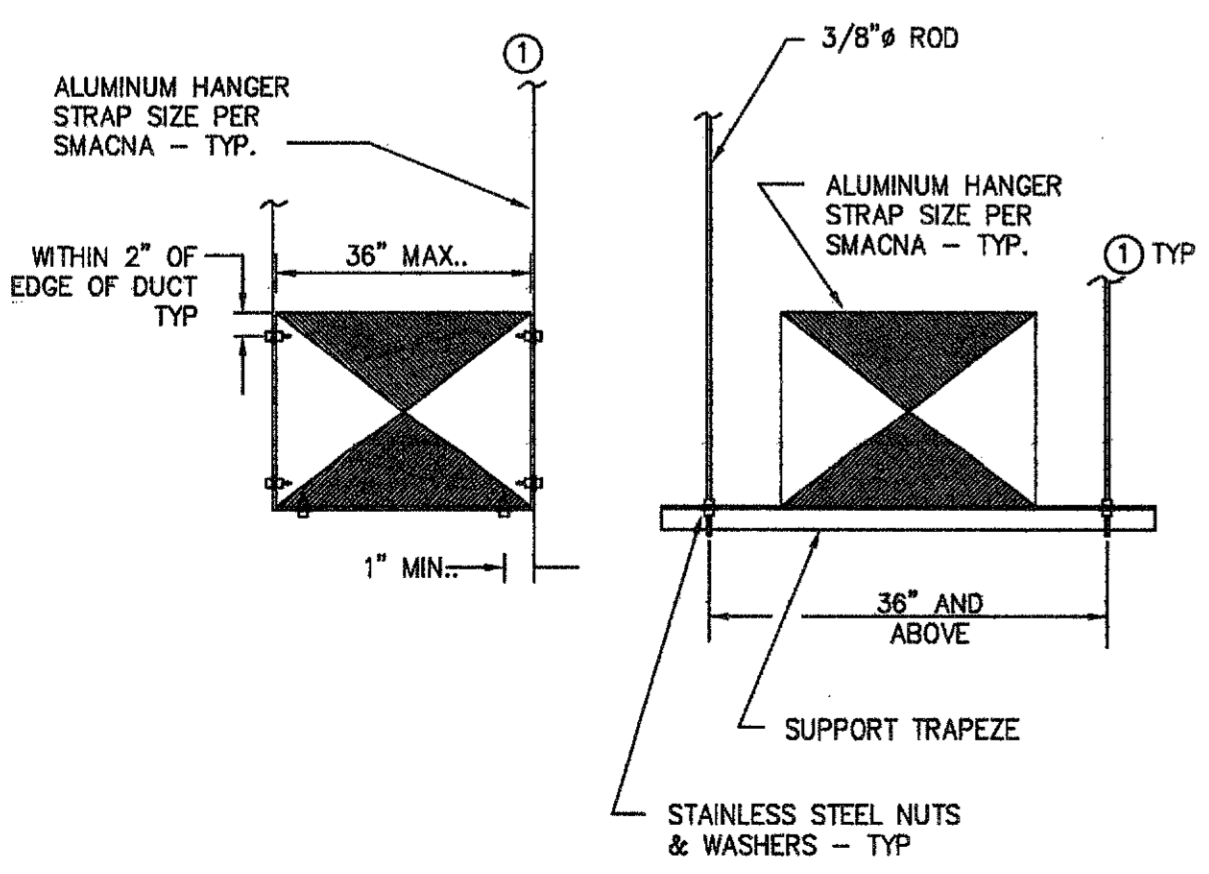
F



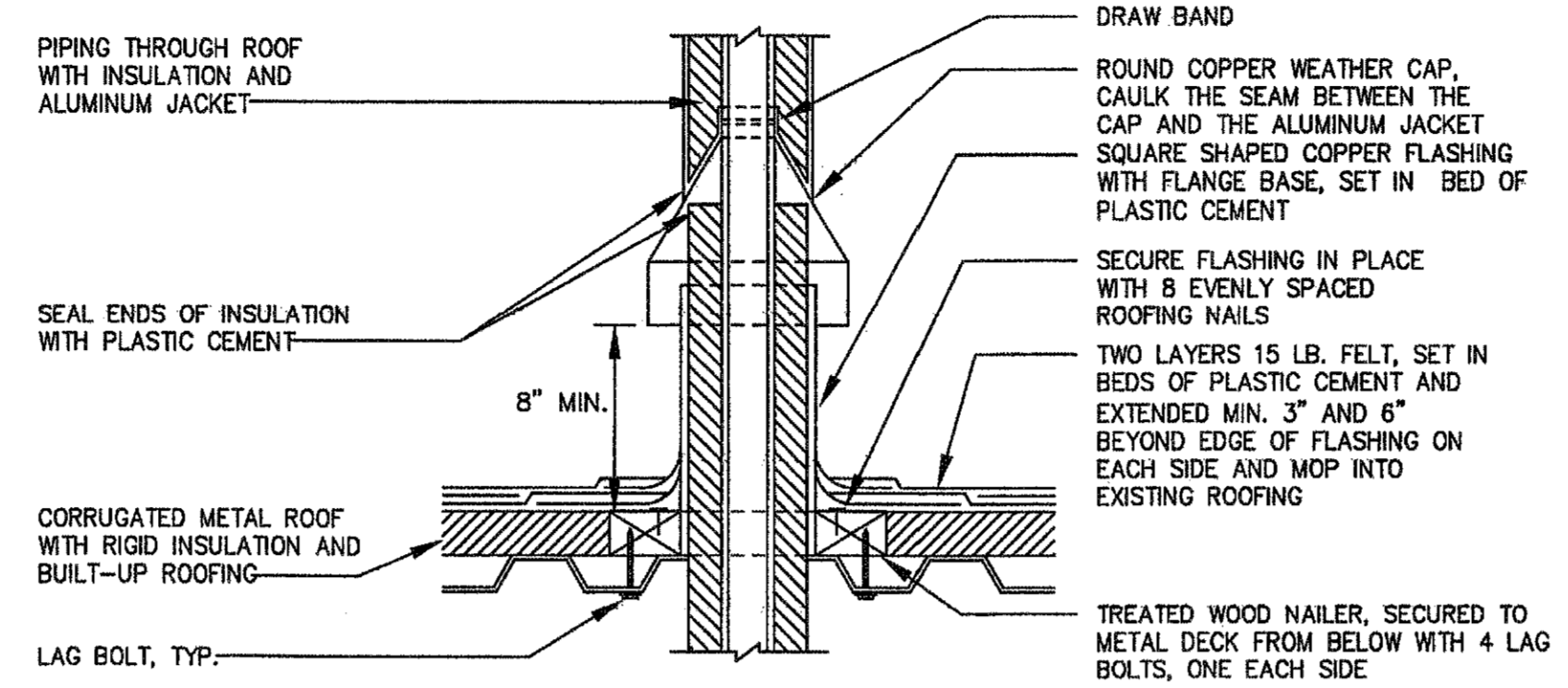
1 **TYPICAL BRANCH DUCT CONNECTION**
H0-602 SCALE: NONE



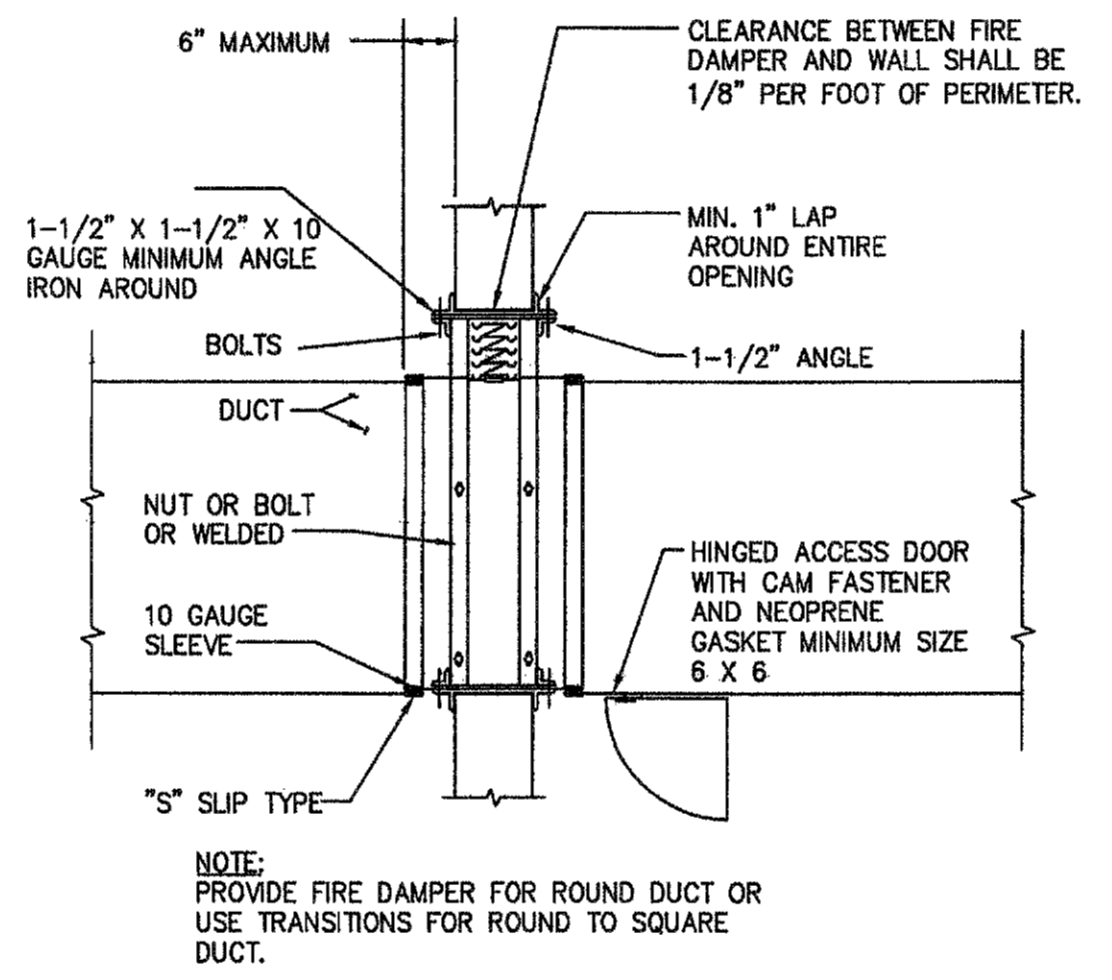
4 **CONDENSATE DRAINAGE PIT**
H0-602 SCALE: NONE



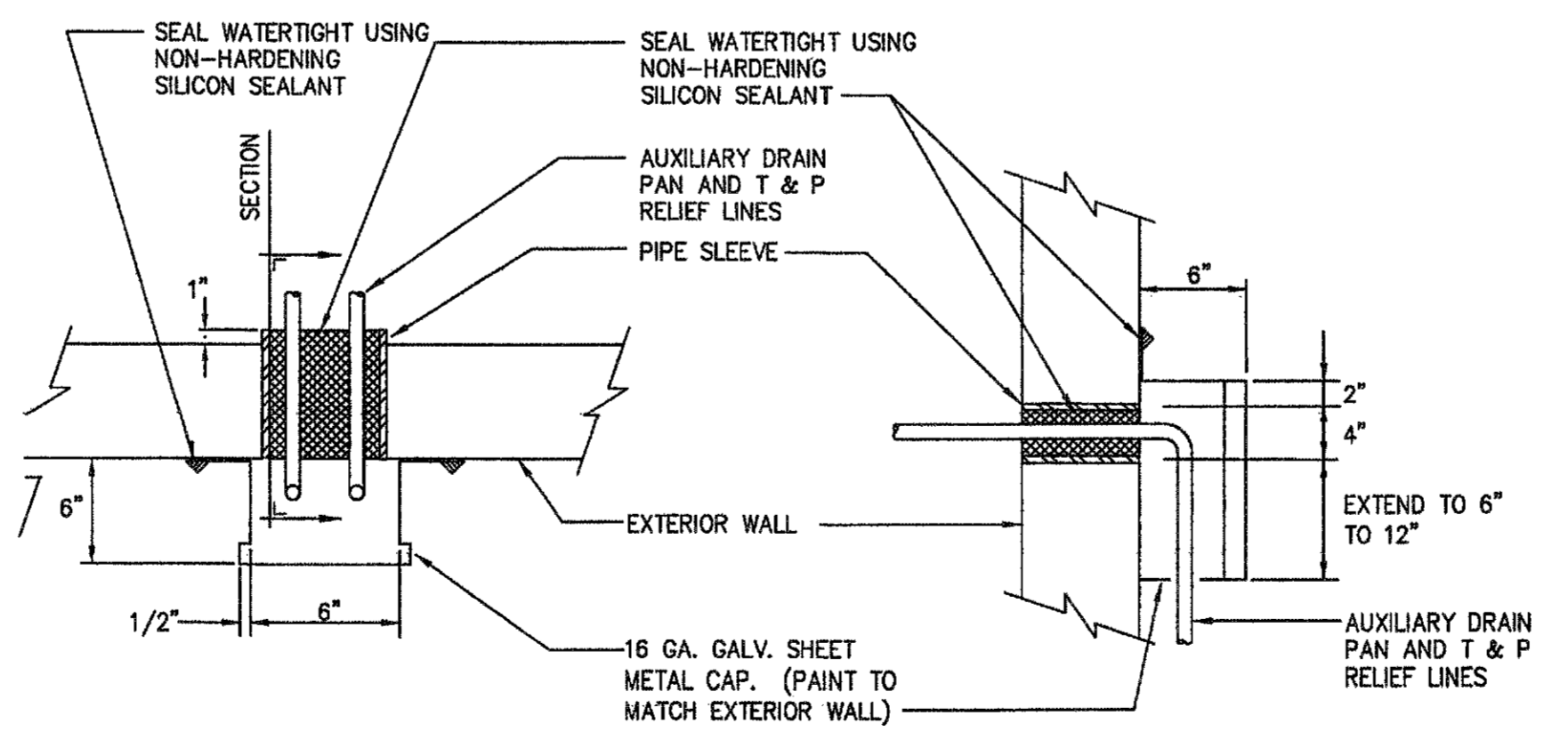
7 **DUCT HANGER DETAILS**
H0-602 SCALE: NONE



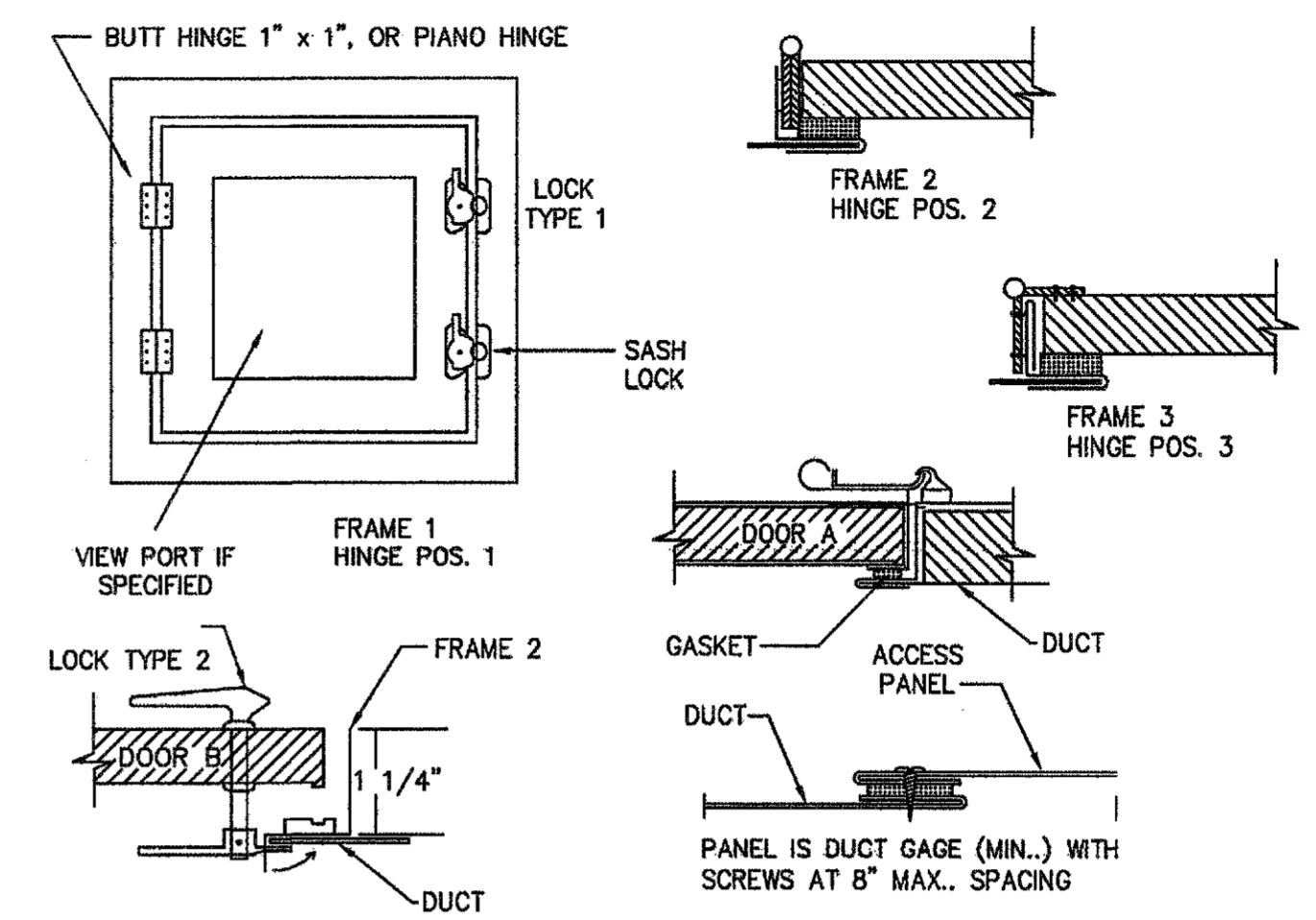
2 **PIPING THROUGH ROOF**
H0-602 SCALE: NONE



5 **FIRE DAMPER WITH FUSIBLE LINK**
H0-602 SCALE: NONE

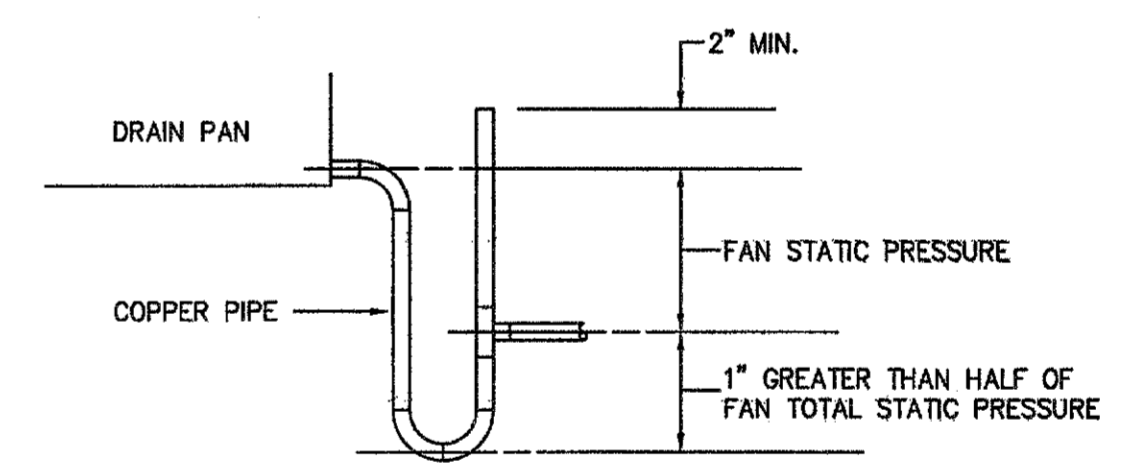


8 **PIPE THROUGH EXTERIOR WALL DETAIL**
H0-602 SCALE: NONE



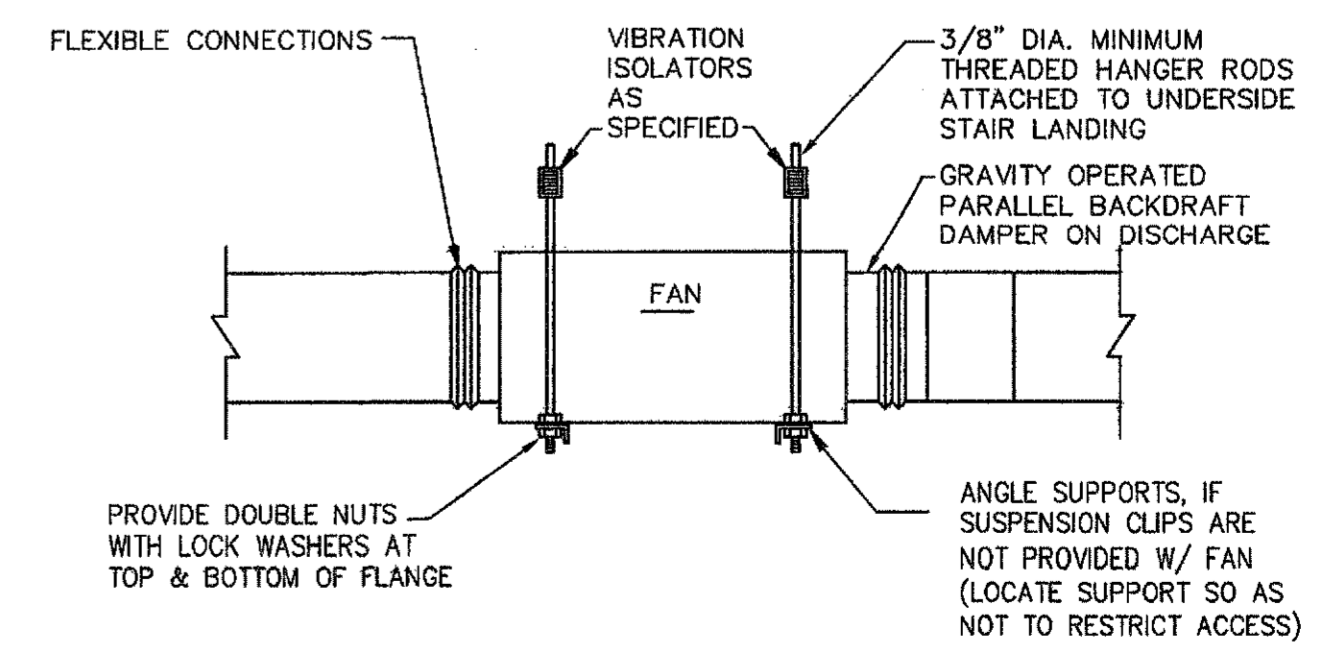
	DOOR SIZE	NO. HINGES	NO. LOCKS	METAL GAGE		
				FRAME	DOOR	BACK
2\"/>						

3 **DUCT ACCESS DOORS**
H0-602 SCALE: NONE



NOTES:
1. INTERIOR DRAIN LINE SHALL BE INSULATED.
2. RTU DRAIN LINE SHALL RUN ON PIPE SUPPORTS ON ROOF TO AIR GAP WASTE AT ROOF DRAIN.

6 **CONDENSATE DRAIN TRAP**
H0-602 SCALE: NONE



9 **IN-LINE FAN MOUNTING DETAIL**
H0-602 SCALE: NONE

E

D

C

B

A



PEACHTREE CREEK SOUTH FORK
RELIEF STORAGE AND PUMPING STATION



DEPARTMENT of WATERSHED MANAGEMENT

REV	DATE	REVISION DESCRIPTION
0	10/28/12	100 PERCENT BID PACKAGE

THIS LINE IS ONE INCH LONG WHEN PLOTTED FULL SCALE
THIS DRAWING MUST BE USED IN CONJUNCTION WITH THE APPLICABLE OR GOVERNING TECHNICAL SPECIFICATIONS AND OTHER CONTRACT DOCUMENTS.

PROJECT NO: FC-6260
DATE: OCTOBER 2012
RESP PROF: RP DESIGNER: DC CHECKER: JST

SHEET TITLE
HVAC
00 - GENERAL
DETAILS