

1 2 3 4 5 6 7 8

F

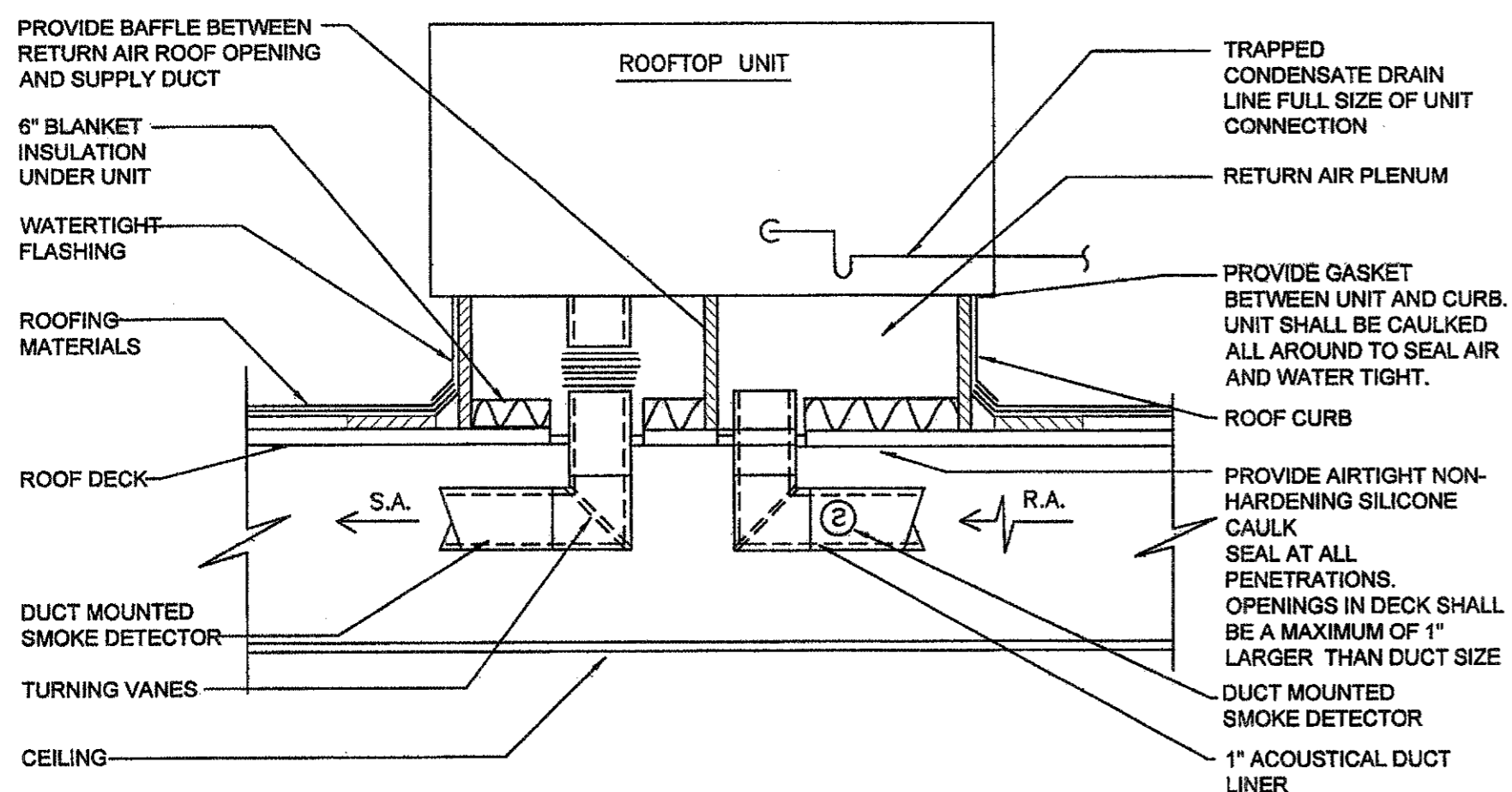
E

D

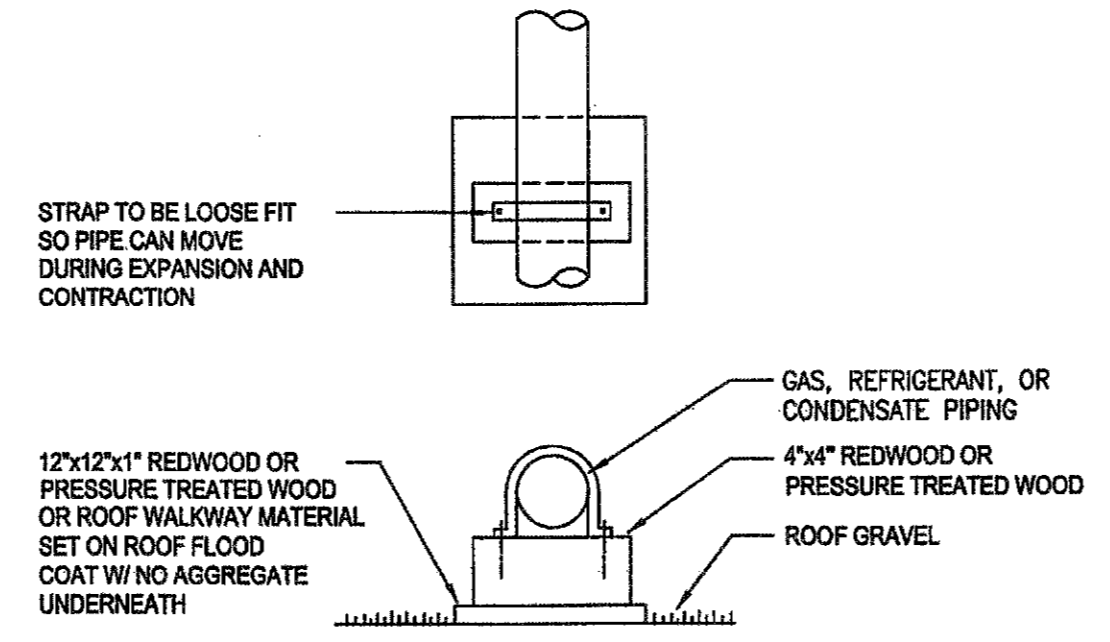
C

B

A



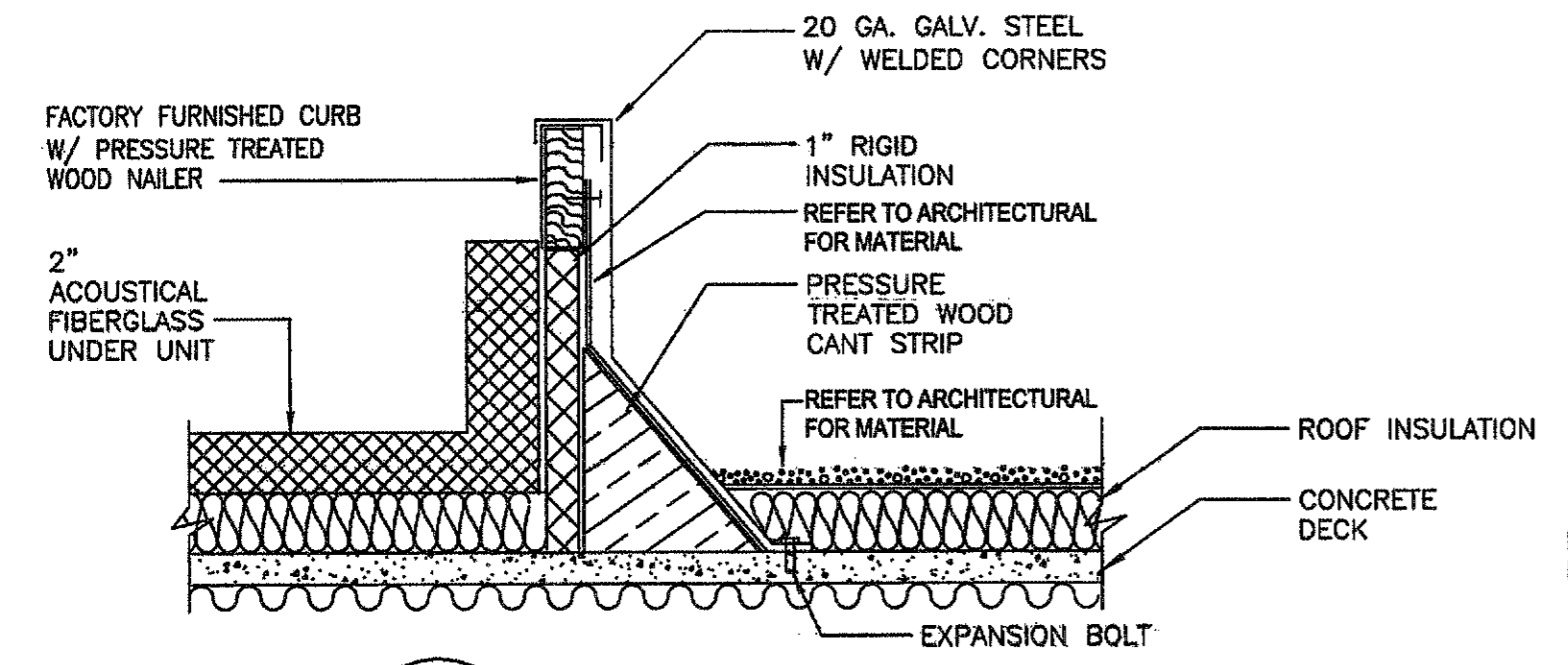
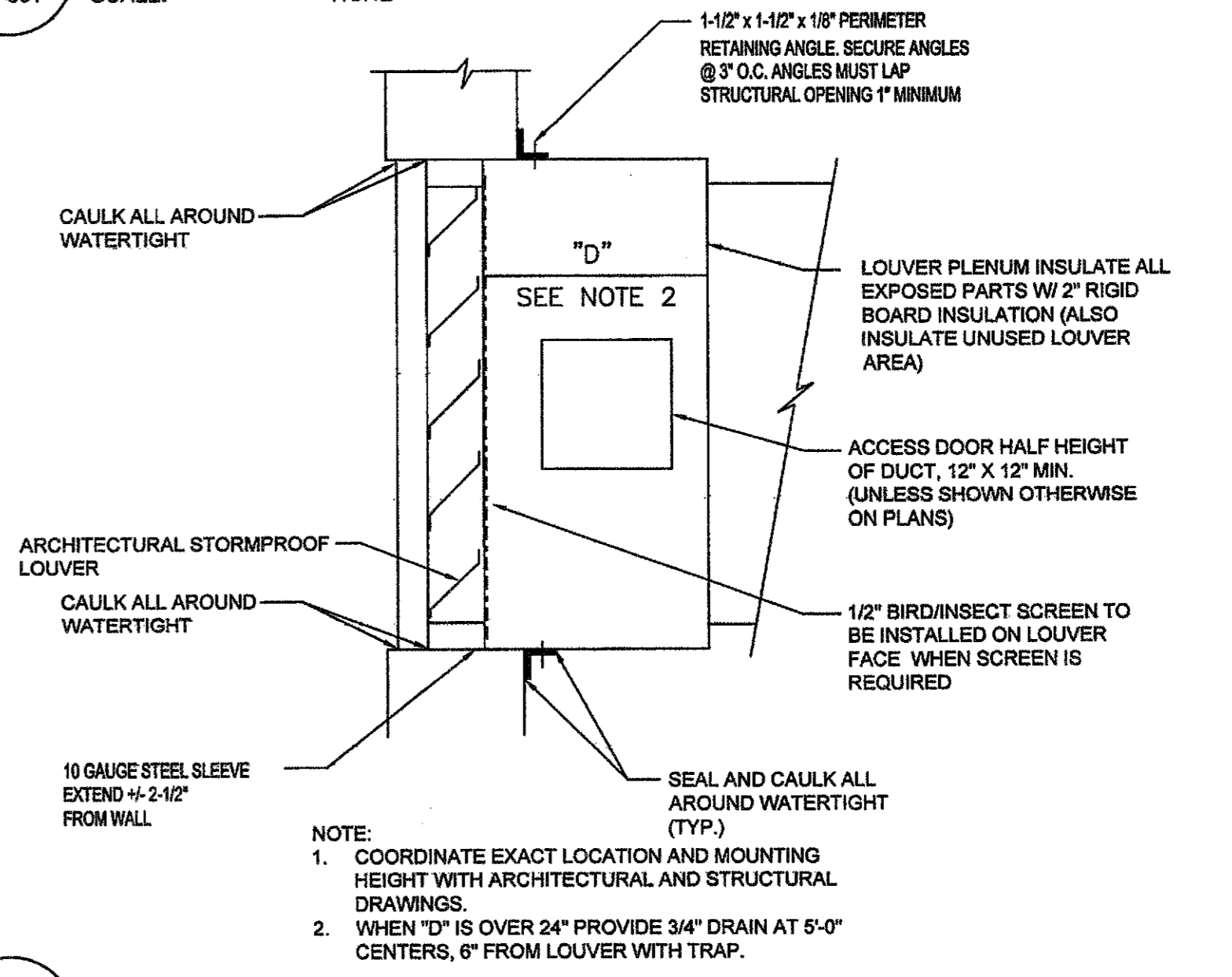
1 ROOFTOP AIR HANDLING UNIT (AHU)
H0-601 SCALE: NONE



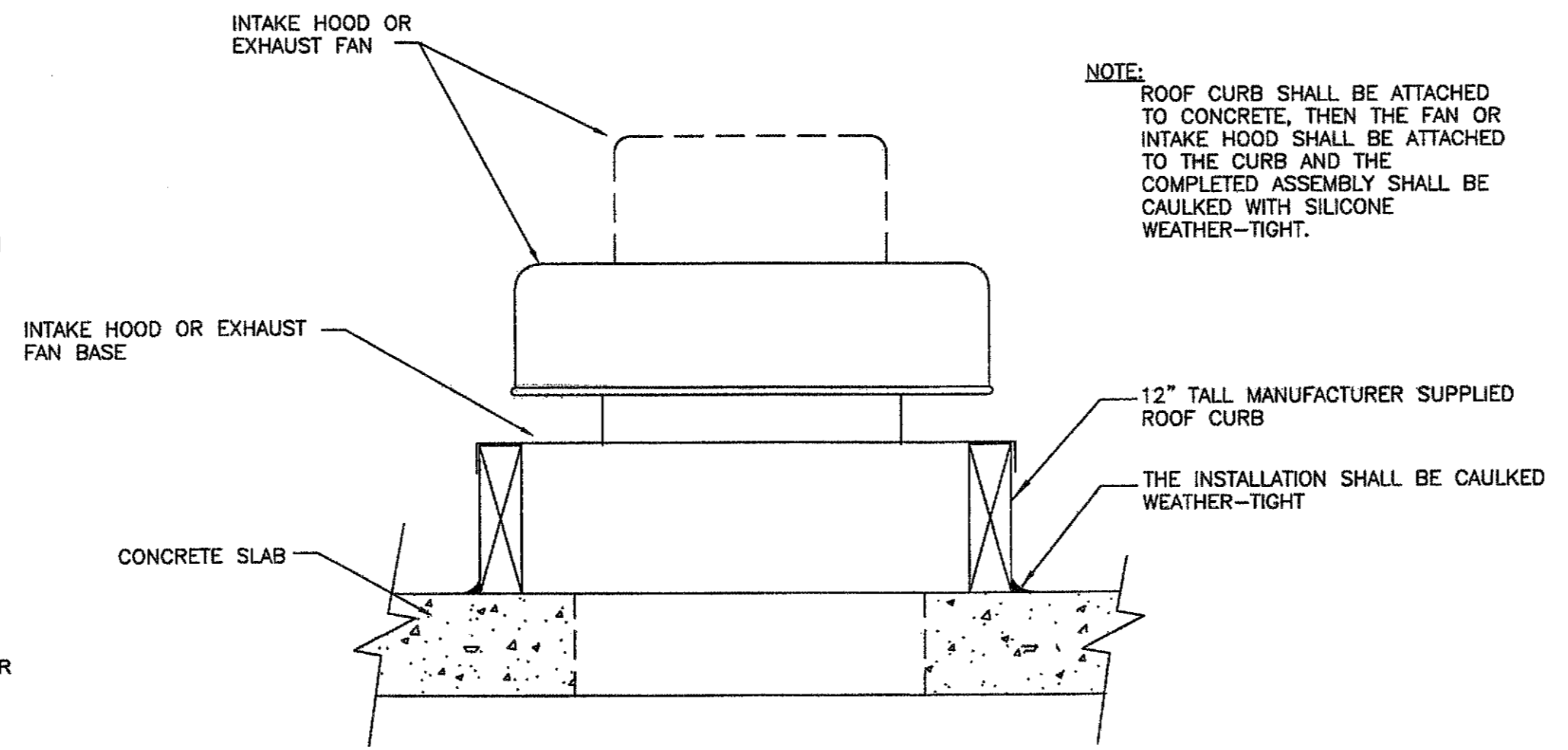
NOTES:
1. PLACE BASE SHEETS ON ROOFING BEFORE GRAVEL, IF ANY. SET BLOCKS FREE ON BASE SHEETS. STACK BLOCKS AND NAIL THEM TOGETHER WHERE REQUIRED TO ELEVATE PIPING.
2. SUPPORTS SHALL BE PLACED EVERY 4' (MIN) AND 6' (MAX) ON CENTER.
3. CONDENSATE PIPING SHALL BE SLOPED FROM SOURCE TO DRAIN AT 1/8" PER FOOT OR PER LOCAL CODE REQUIREMENTS.

5 CONDENSER REFRIGERANT PIPING ROOF SUPPORT
H0-601 SCALE: NONE

8 EQUIPMENT ACHORING DETAILS FOR CONCRETE
H0-601 SCALE: NONE

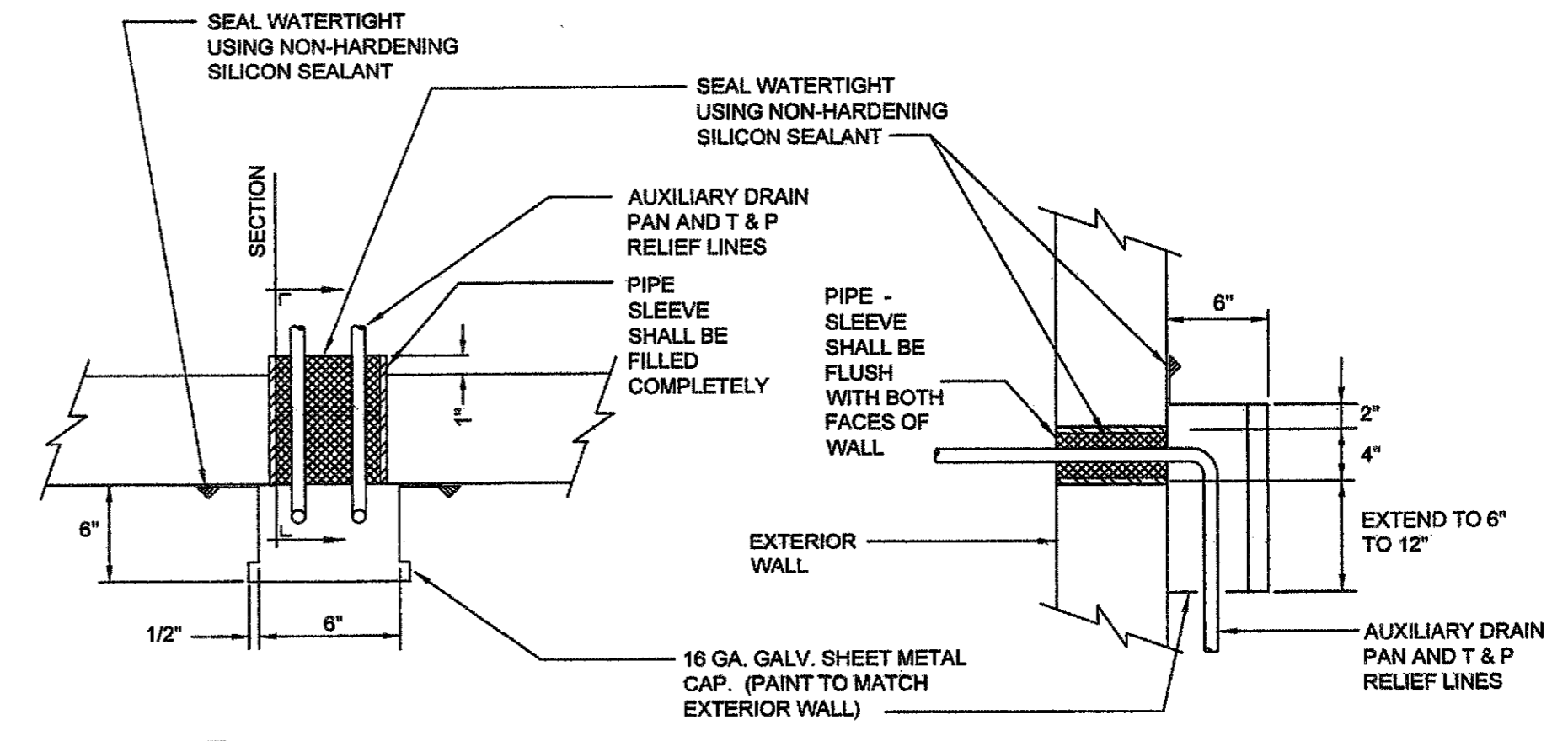


2 ROOF CURB DETAIL
H0-601 SCALE: NONE

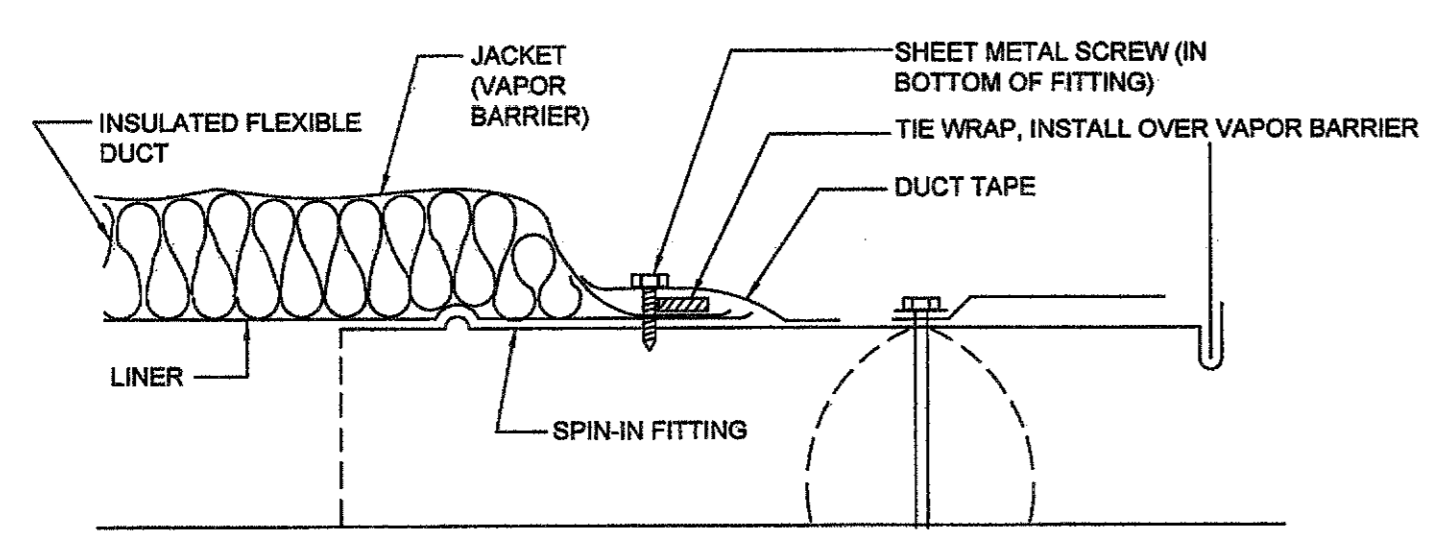


6 GRADE MOUNTED EXHAUST FAN OR INTAKE HOOD MOUNTING DETAIL
H0-601 SCALE: NONE

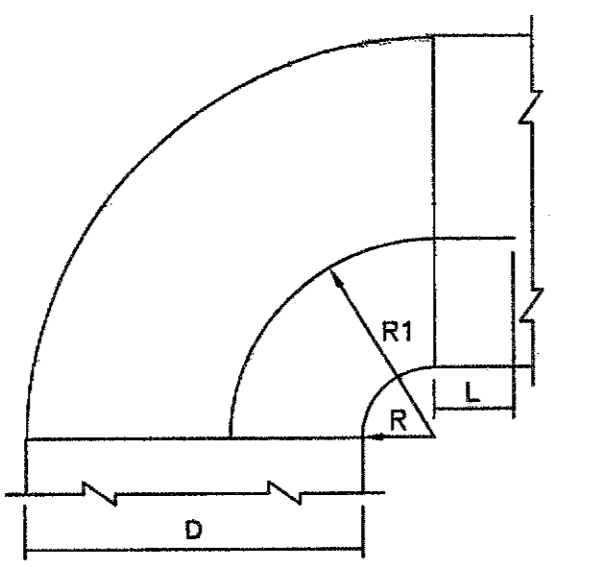
9 WALL LOUVER WITH PLENUM
H0-601 SCALE: NONE



10 PIPE THROUGH EXTERIOR WALL
H0-601 SCALE: NONE

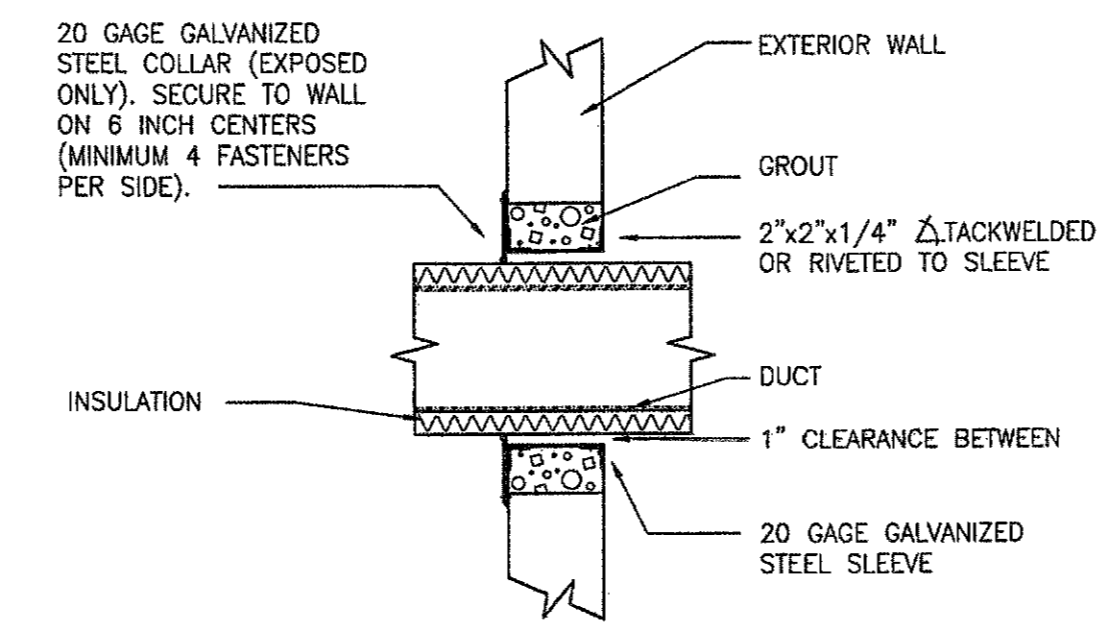


3 FLEX CONNECTION TO SPIN-IN
H0-601 SCALE: NONE

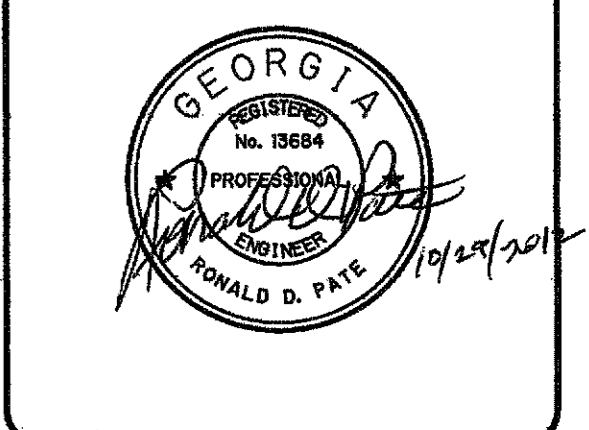
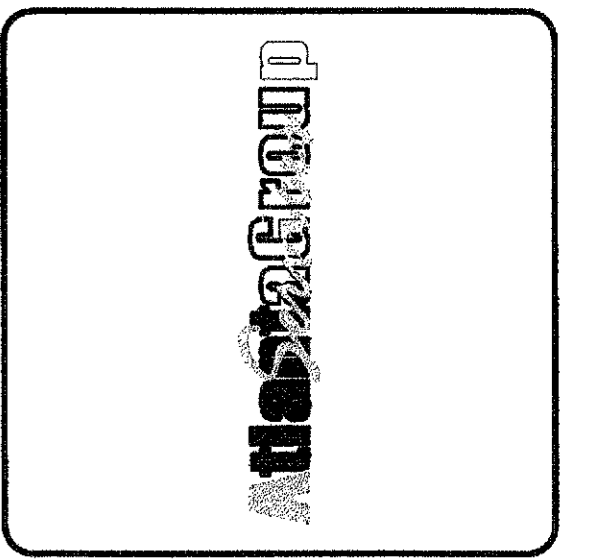


4 RADIUS ELBOW
H0-601 SCALE: NONE

NOTE:
NO VANE IS REQUIRED IF D IS LESS THAN 14". MIN. R IS 3".
R1=1/3D. WHERE D IS MORE THAN 14", R SHALL BE 3/4D.
L=1/3D.



7 DUCT THROUGH EXTERIOR WALL
H0-601 SCALE: NONE



PEACHTREE CREEK SOUTH FORK RELIEF STORAGE AND PUMPING STATION

CITY OF ATLANTA

DEPARTMENT of WATERSHED MANAGEMENT

REV	DATE	REVISION DESCRIPTION
0	10/28/12	100 PERCENT BID PACKAGE

THIS LINE IS ONE INCH LONG WHEN PLOTTED FULL SCALE

THIS DRAWING MUST BE USED IN CONJUNCTION WITH THE APPLICABLE OR GOVERNING TECHNICAL SPECIFICATIONS AND OTHER CONTRACT DOCUMENTS.

PROJECT NO: FC-6260
DATE: OCTOBER 2012

RESP PROF: RP
DESIGNER: DC
CHECKER: JST

SHEET TITLE
HVAC
00-GENERAL
DETAILS

SHEET NO. H0-601 REV. 0