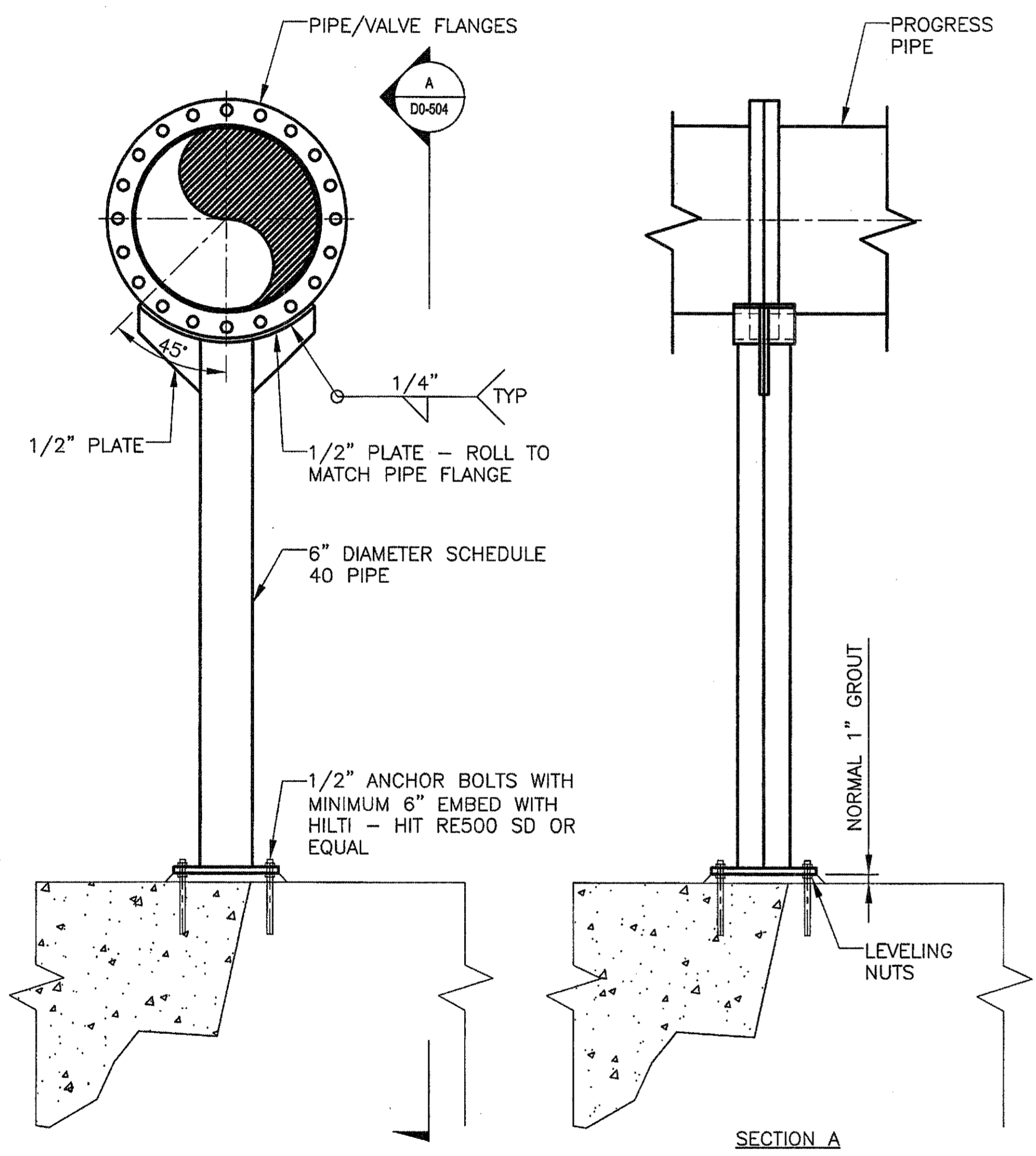
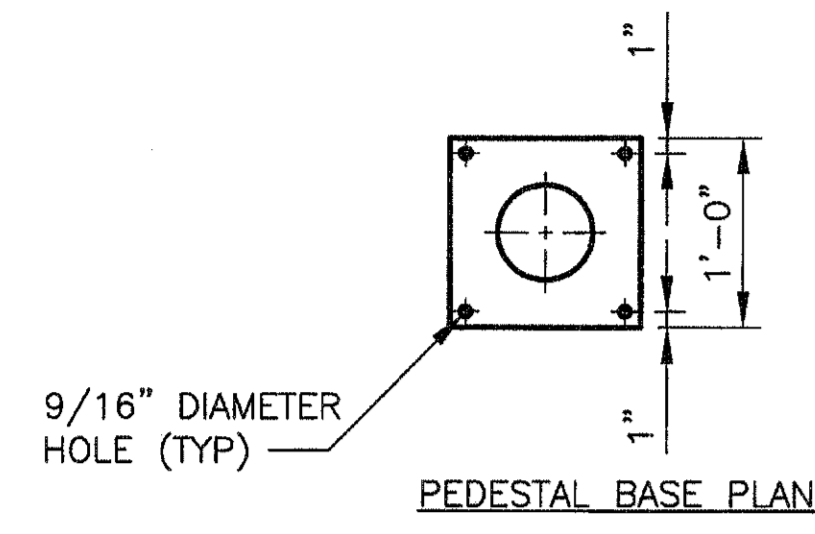
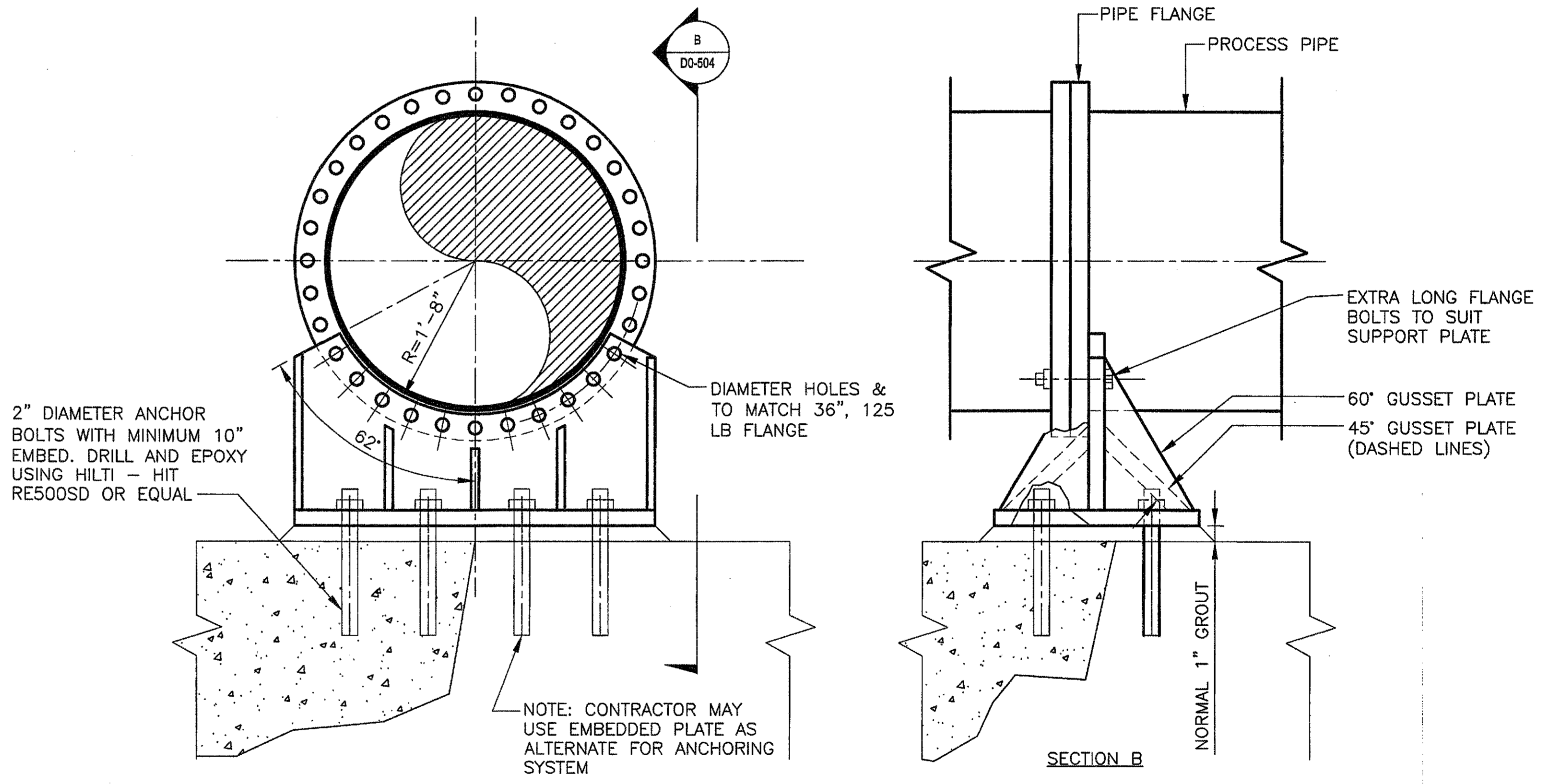
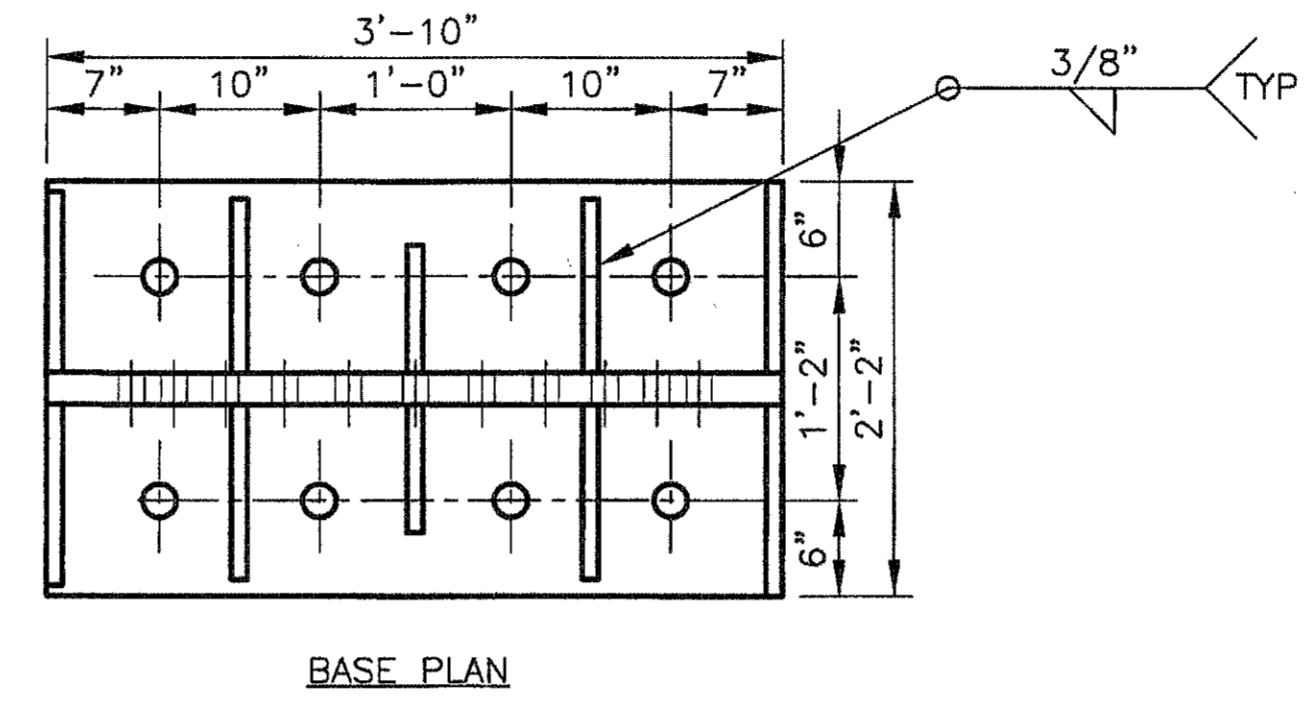


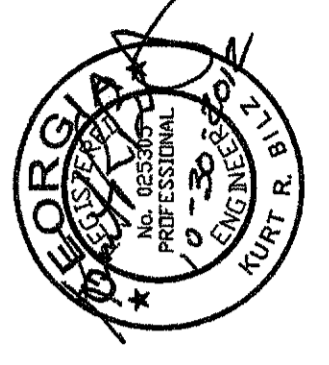
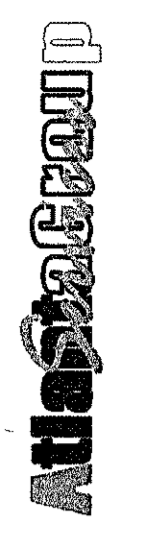
F
E
D
C
B
A



1 PIPE SUPPORT (PEDESTAL) DETAIL
D0-504 SCALE: NTS



2 PIPE SUPPORT (BASE GUSSET) DETAIL
D0-504 SCALE: NTS



PEACHTREE CREEK SOUTH FORK
RELIEF STORAGE AND PUMPING STATION
CITY OF ATLANTA
DEPARTMENT OF WATERSHED MANAGEMENT

REV	DATE	DESCRIPTION
0	10/28/12	100 PERCENT BID PACKAGE

THIS LINE IS ONE INCH LONG WHEN PLOTTED FULL SCALE
THIS DRAWING MUST BE USED IN CONJUNCTION WITH THE APPLICABLE OR GOVERNING TECHNICAL SPECIFICATIONS AND OTHER CONTRACT DOCUMENTS.
PROJECT NO: FC-6260
DATE: OCTOBER 2012
RESP PROF: KB DESIGNER: KB CHECKER: VK
SHEET TITLE: PROCESS 00 - GENERAL DETAILS
SHEET NO. D0-504 REV. 0