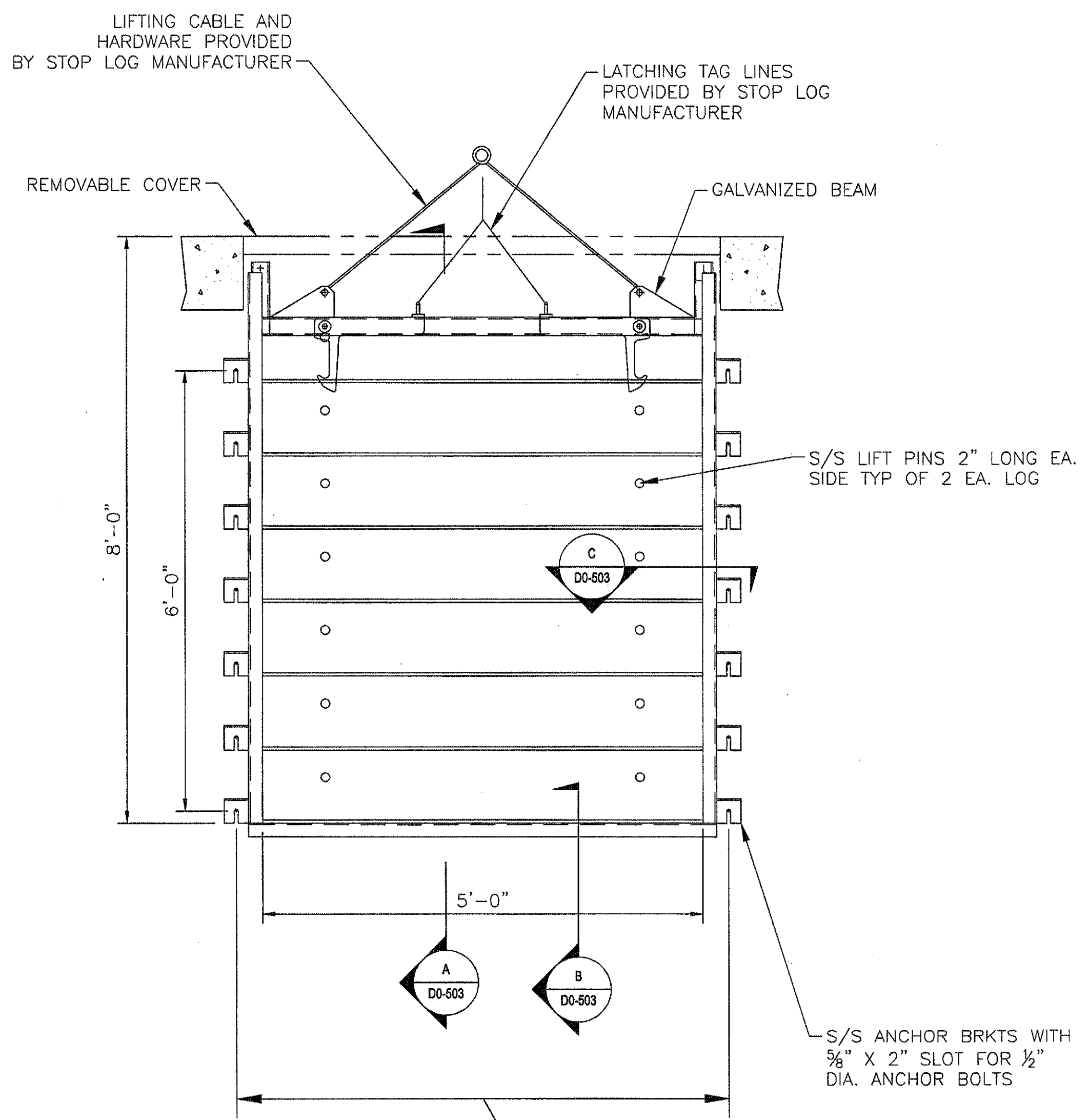
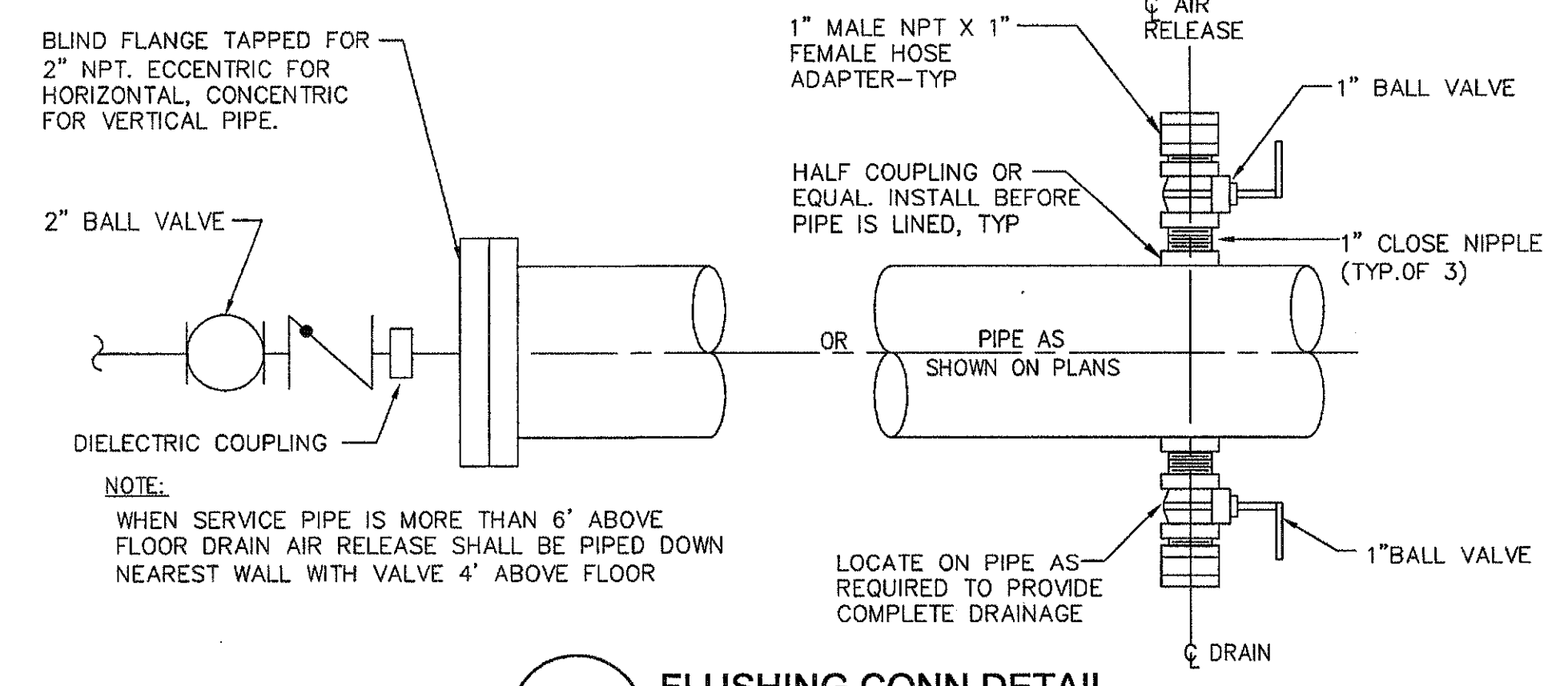


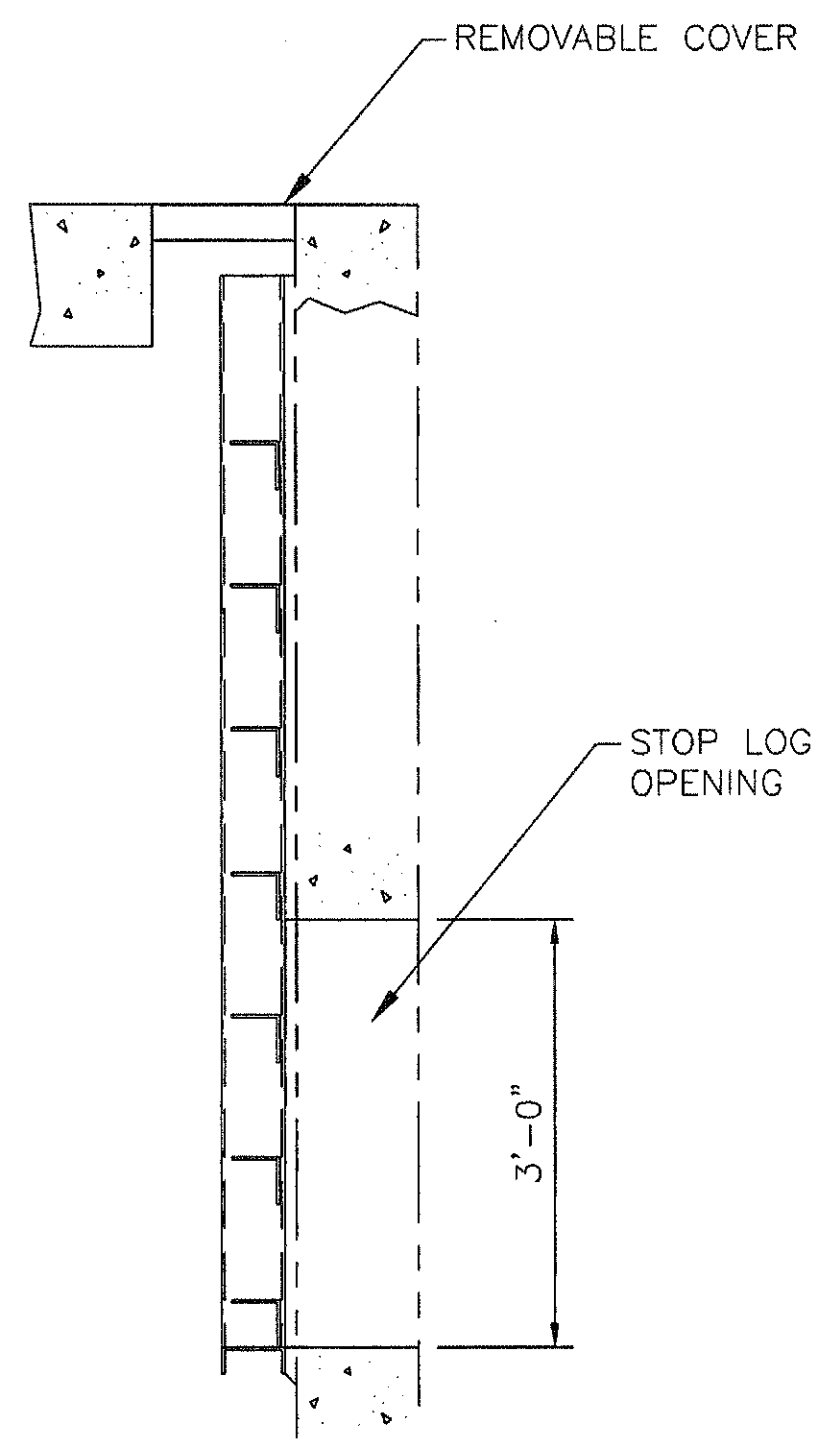
NOTE:
 1. DETAIL SHOWS TYPICAL REQUIREMENTS ONLY REFER TO SPECIFICATION 15108 FOR SPECIFIC REQUIREMENTS
 2. CONFIRM ALL DIMENSIONS WITH SPECIFIC MANUFACTURER REQUIREMENTS
 3. STOP LOG SETS CONSIST OF 1-BOTTOM LOG WITH SEALS TOP & BOTTOM X-STANDARD LOGS WITH SEALS TOP ONLY



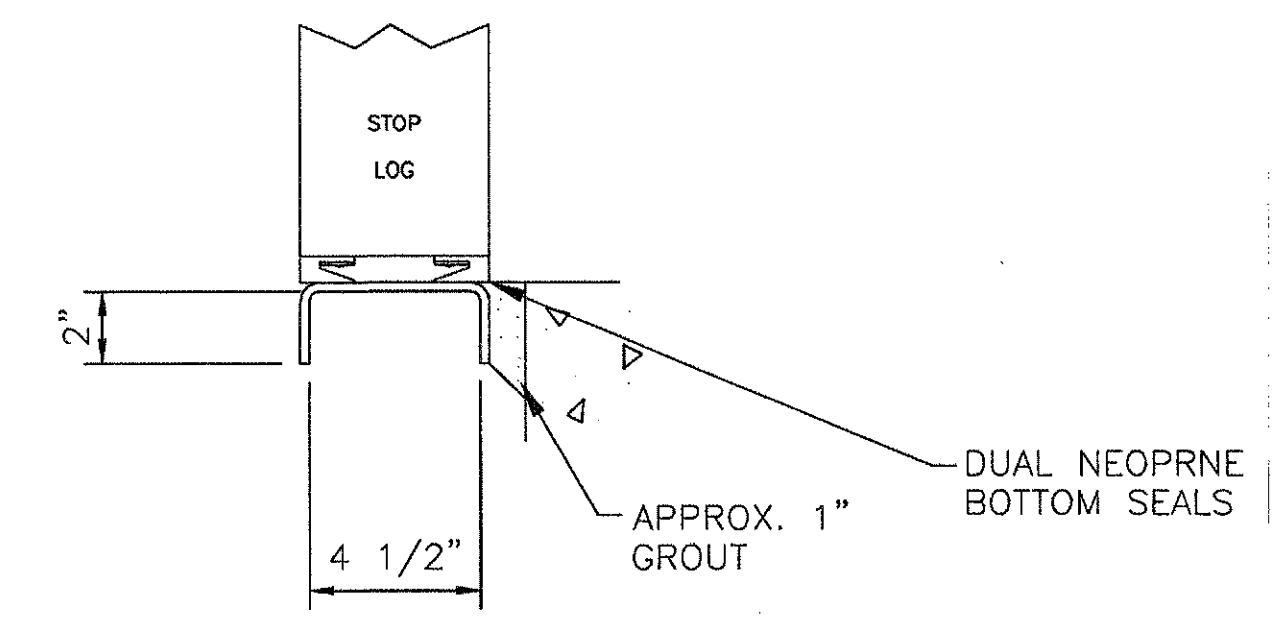
2 STOP LOG DETAIL
 D0-503 SCALE: NTS



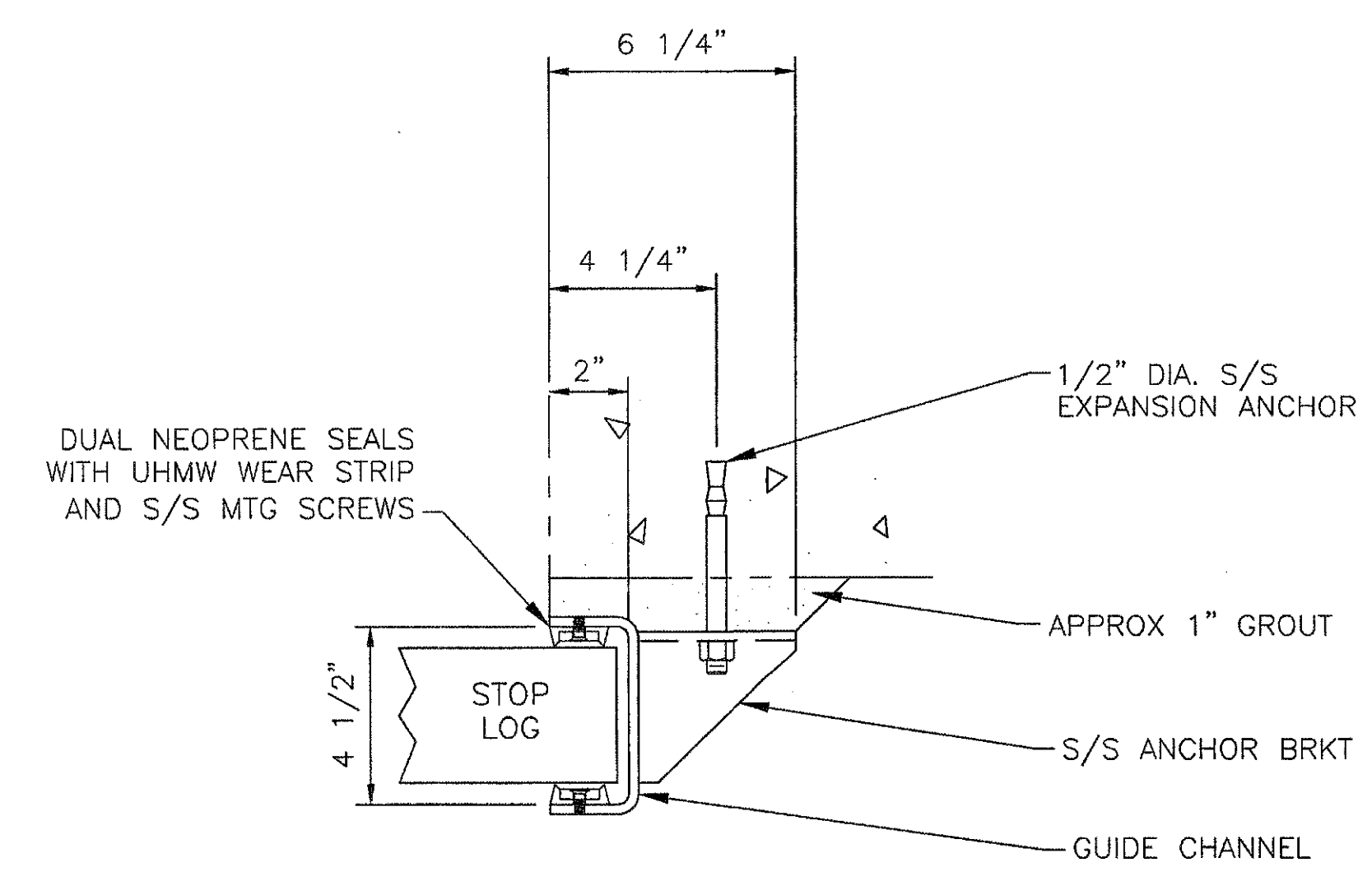
1 FLUSHING CONN DETAIL
 D0-503 SCALE: NTS



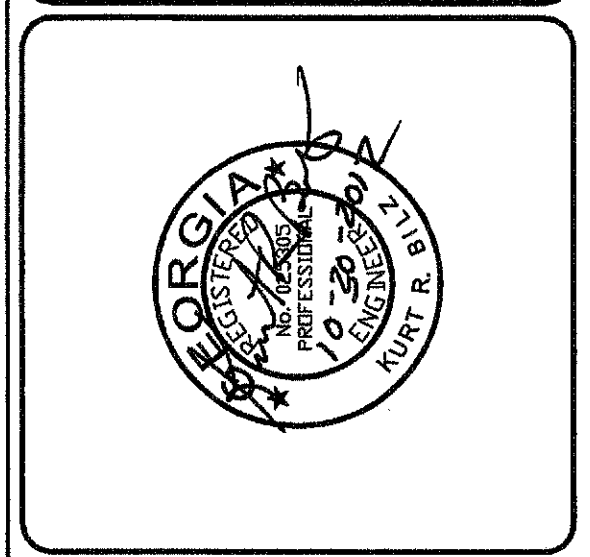
A SECTION A
 D0-503 SCALE: 1:16



B SECTION B
 D0-503 SCALE: 1:16



C SECTION C
 D0-503 SCALE: 1" = 1'-0"



PEACHTREE CREEK SOUTH FORK
 RELIEF STORAGE AND PUMPING STATION

CITY OF ATLANTA

DEPARTMENT OF WATERSHED MANAGEMENT

REV	DATE	REVISION DESCRIPTION
0	10/28/12	100 PERCENT BID PACKAGE

THIS LINE IS ONE INCH LONG WHEN PLOTTED FULL SCALE

THIS DRAWING MUST BE USED IN CONDUCTION WITH THE APPLICABLE OR GOVERNING TECHNICAL SPECIFICATIONS AND OTHER CONTRACT DOCUMENTS.

PROJECT NO: FC-6260
 DATE: OCTOBER 2012

RESP PROP:	DESIGNER:	CHECKER:
KB	KB	VK

SHEET TITLE
 PROCESS
 00 - GENERAL
 DETAILS

SHEET NO. D0-503 REV. 0