

F

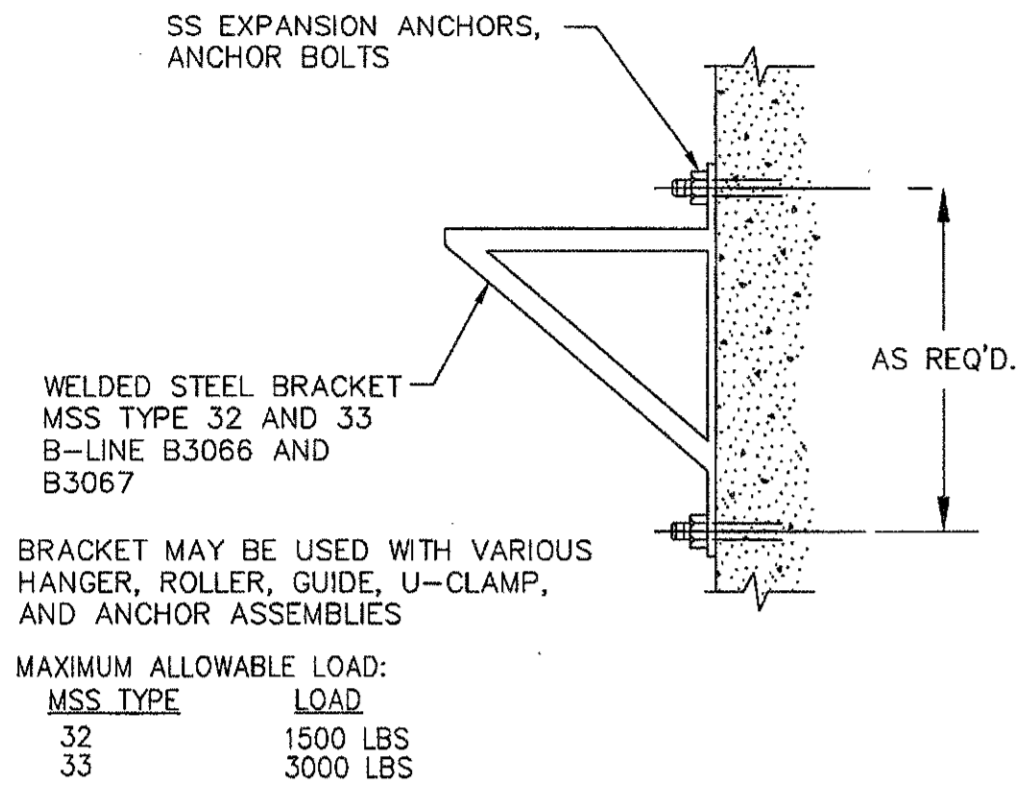
E

D

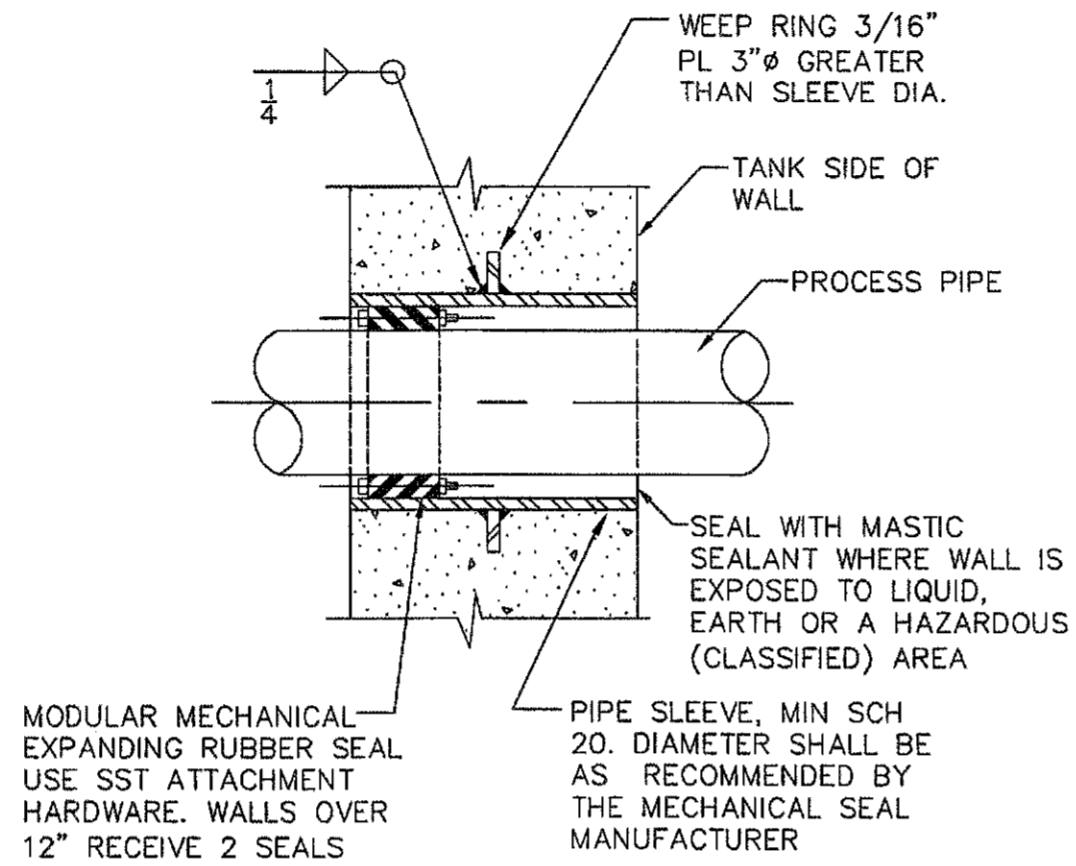
C

B

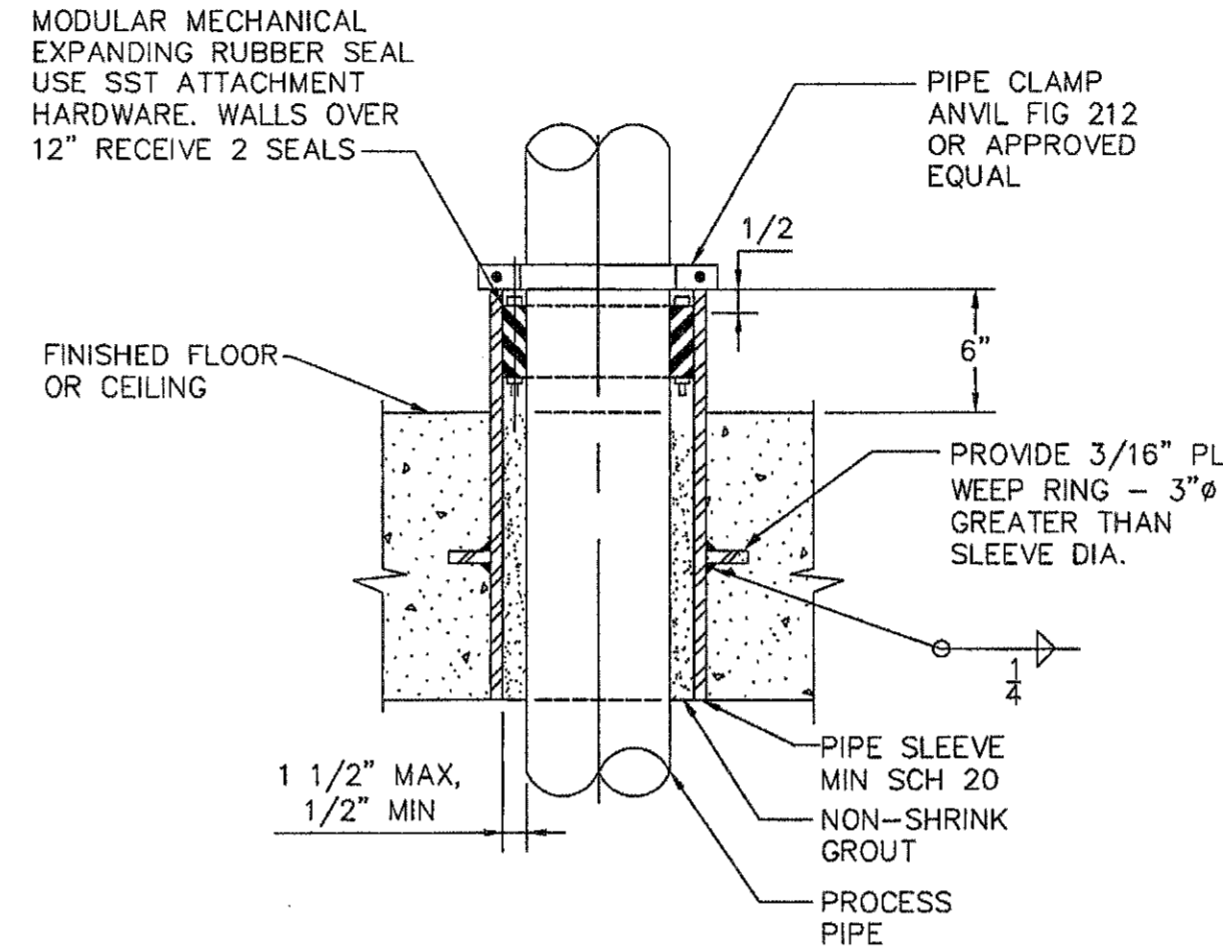
A



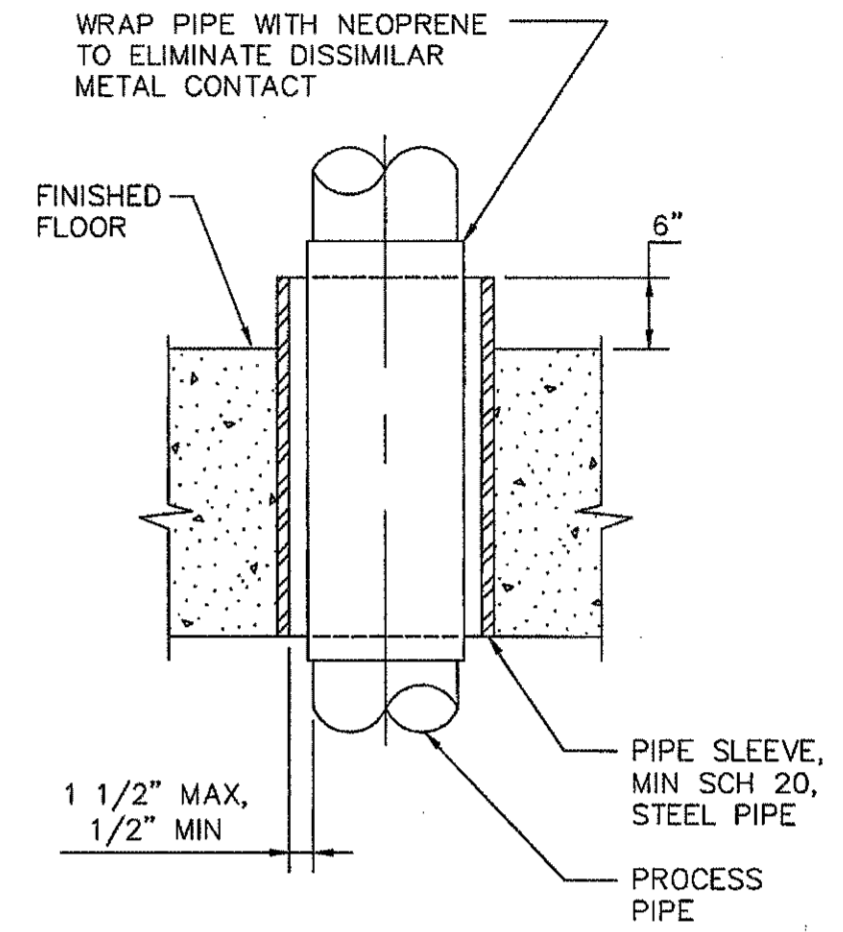
8 PIPE SUPPORT - WALL BRACKET  
D0-502 SCALE: NTS



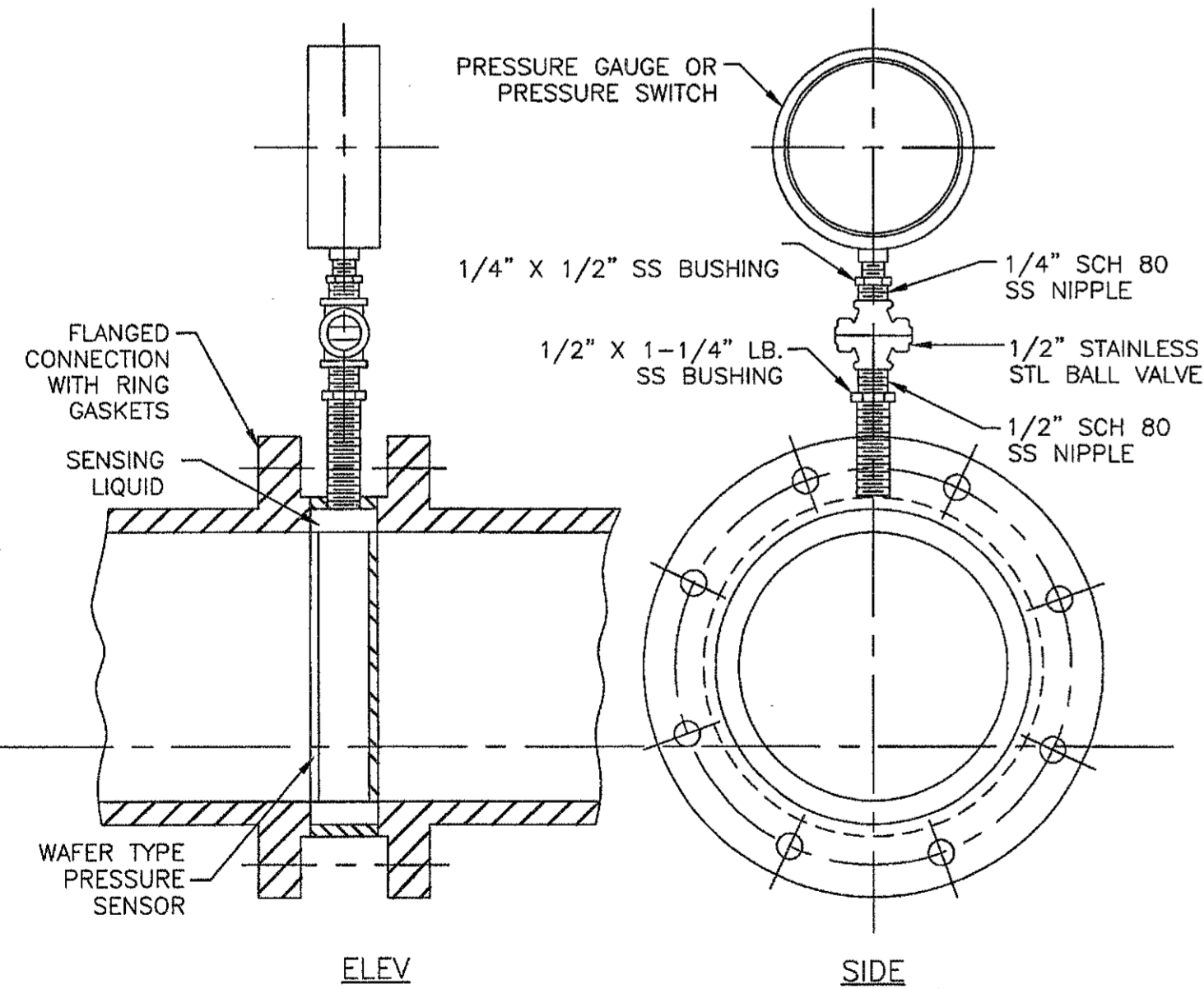
7 PIPE PENETRATION - WALL  
D0-502 SCALE: NTS



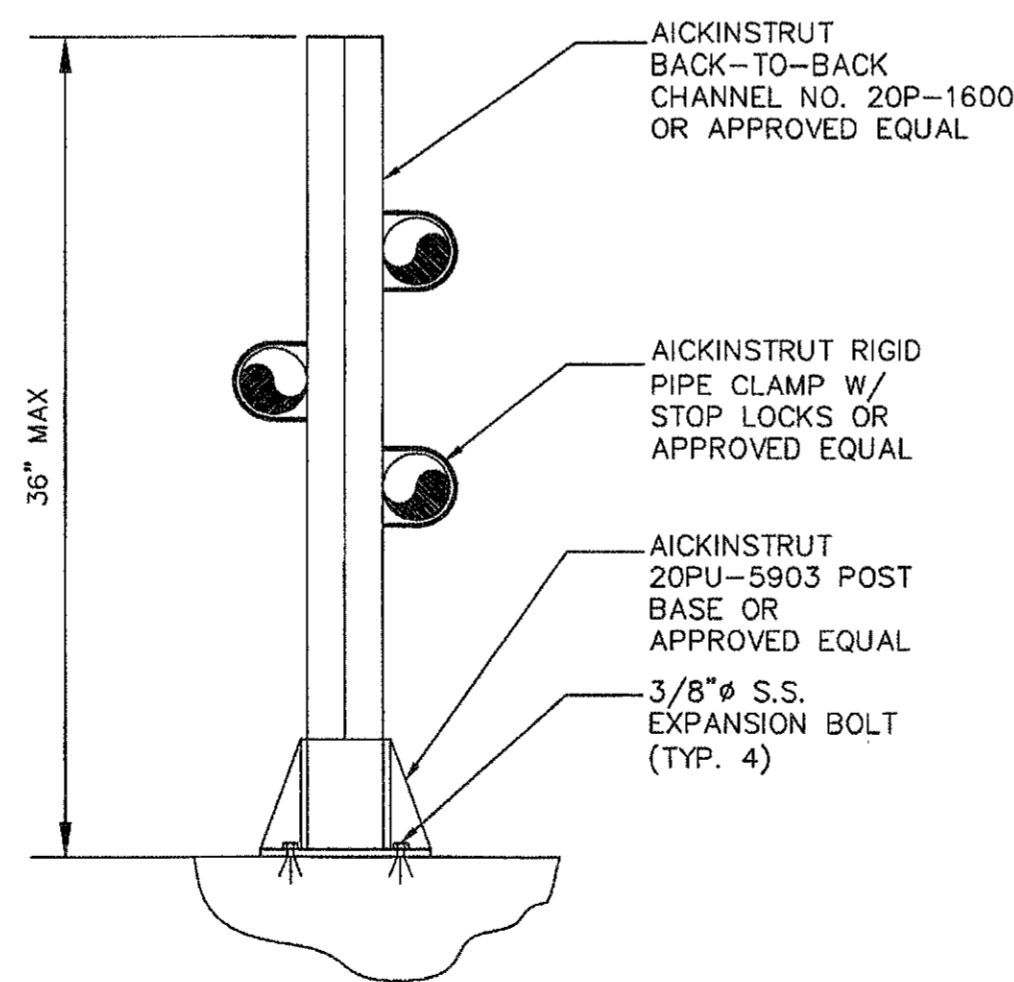
6 PIPE PENETRATION - FLOOR  
D0-502 SCALE: NTS



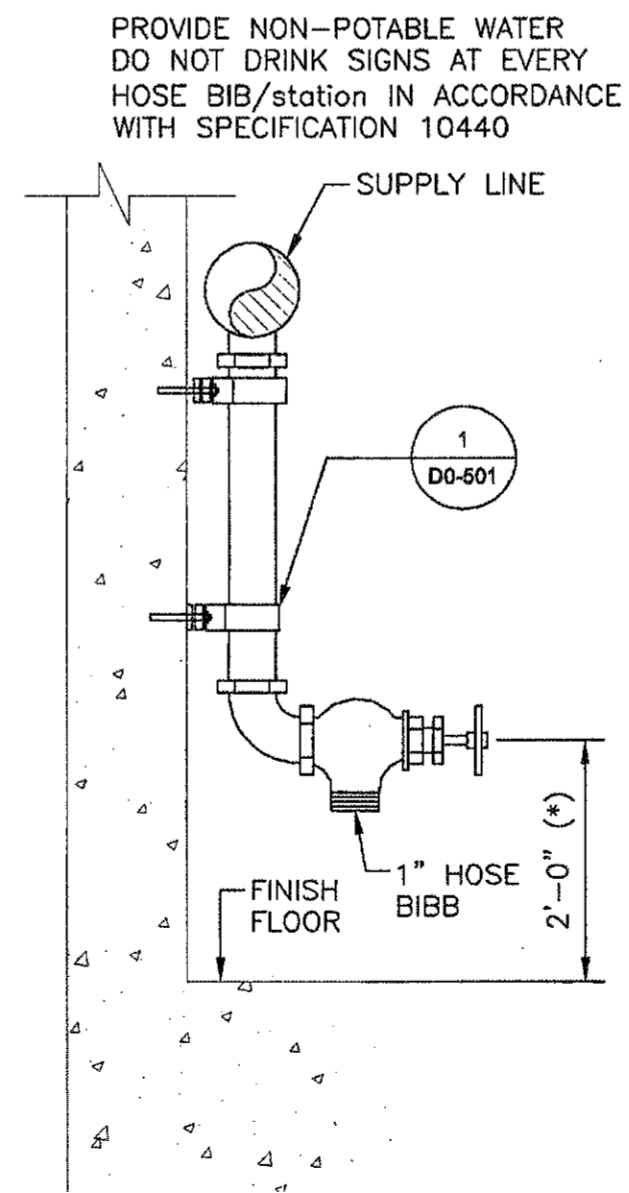
5 PIPE PENETRATION - FLOOR  
D0-502 SCALE: NTS



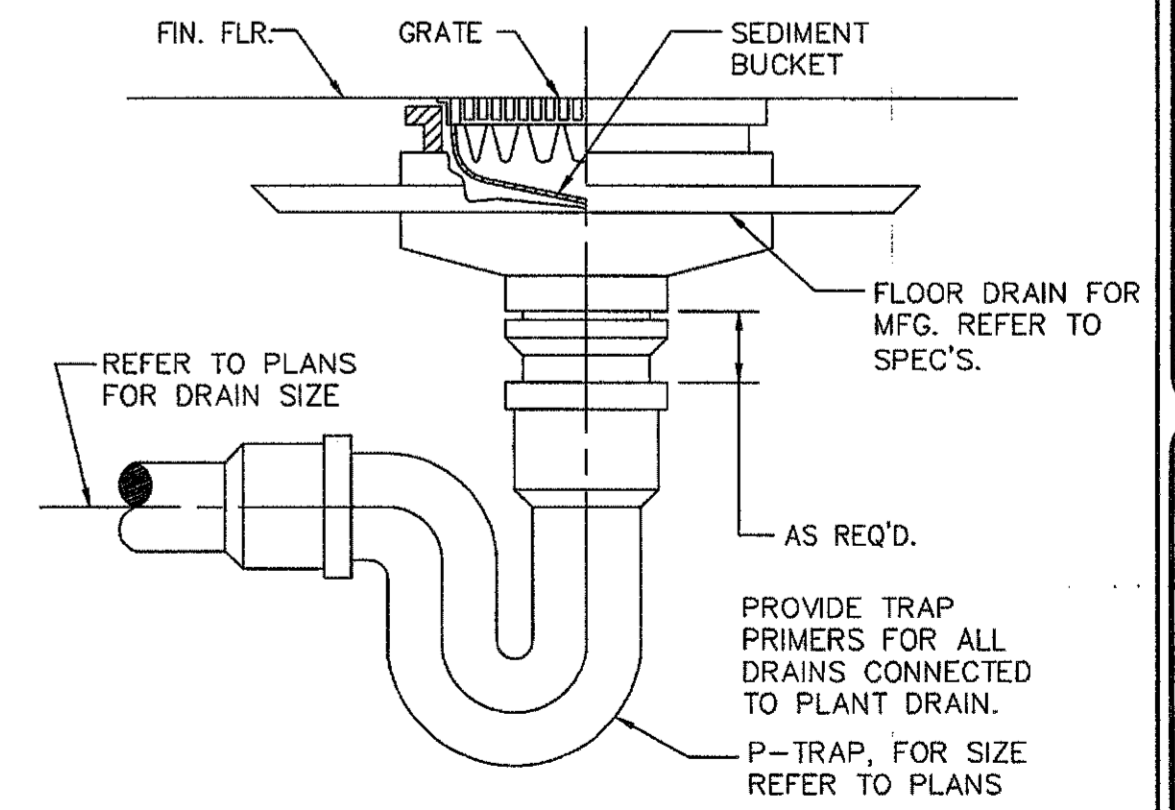
4 PRESSURE GAUGE DETAIL  
D0-502 SCALE: NTS



3 PIPE SUPPORT DETAIL - VERTICAL STRUT  
D0-502 SCALE: NTS

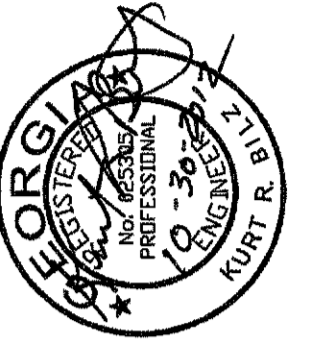


2 MECH DETAIL - HOSE STATION  
D0-502 SCALE: NTS



1 FLOOR DRAIN AND P-TRAP DETAIL  
D0-502 SCALE: NTS

Atlanta



PEACHTREE CREEK SOUTH FORK  
RELIEF STORAGE AND PUMPING STATION



DEPARTMENT of WATERSHED MANAGEMENT

| REV | DATE     | REVISION DESCRIPTION    |
|-----|----------|-------------------------|
| 0   | 10/28/12 | 100 PERCENT BID PACKAGE |

THIS LINE IS ONE INCH LONG WHEN PLOTTED FULL SCALE  
THIS DRAWING MUST BE USED IN CONJUNCTION WITH THE APPLICABLE OR GOVERNING TECHNICAL SPECIFICATIONS AND OTHER CONTRACT DOCUMENTS.

PROJECT NO: FC-6260  
DATE: OCTOBER 2012

|               |              |              |
|---------------|--------------|--------------|
| RESP PROF: KB | DESIGNER: PS | CHECKER: DSF |
|---------------|--------------|--------------|

SHEET TITLE: PROCESS 00 - GENERAL DETAILS

SHEET NO. D0-502 REV. 0