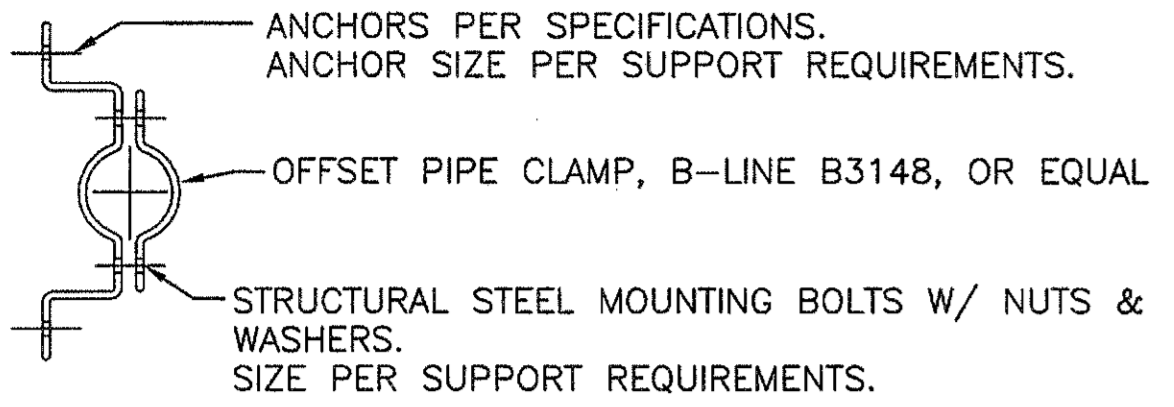
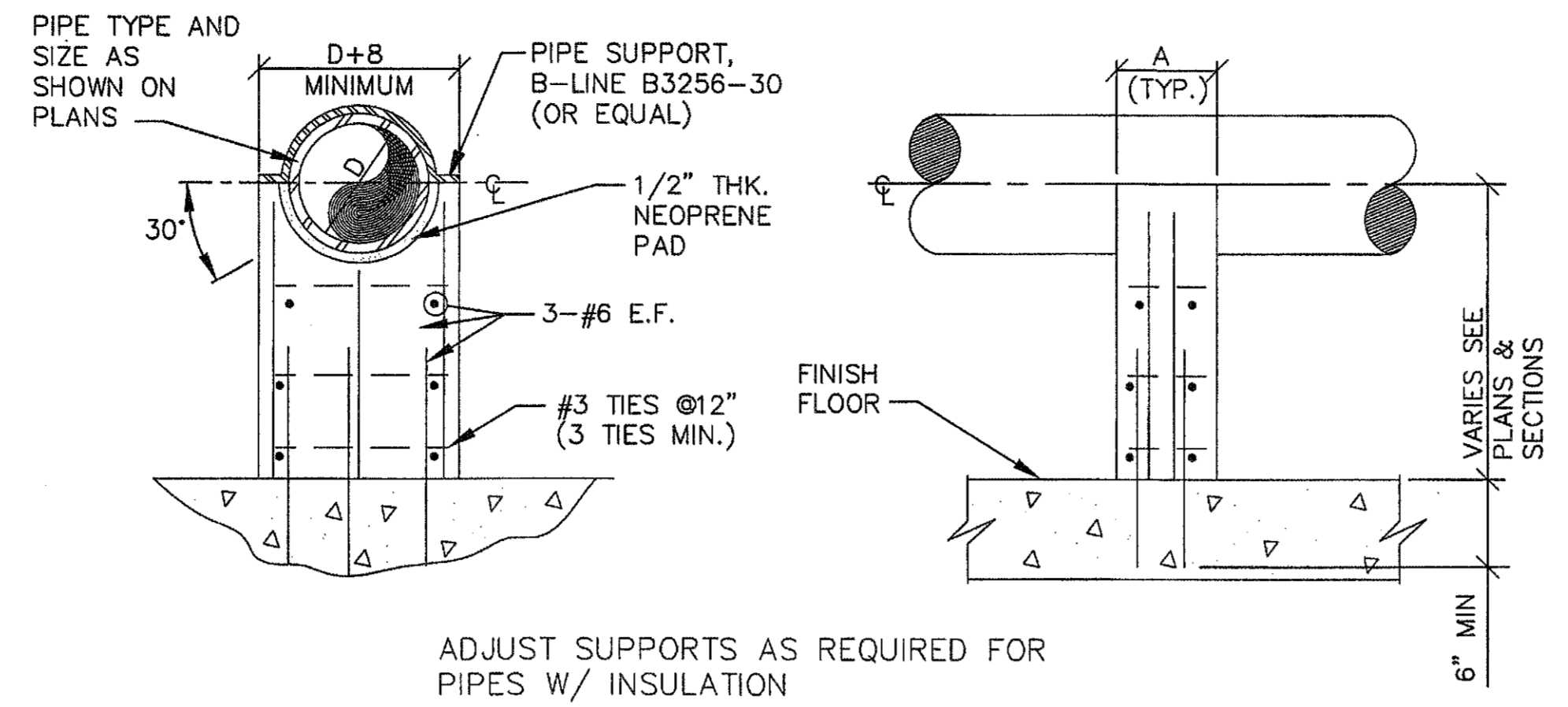


F
E
D
C
B
A



NOTE: SUPPORTS, ANCHORS AND HARDWARE TO BE 316 STAINLESS STEEL

1 **DETAIL 1**
D0-501 SCALE: NTS



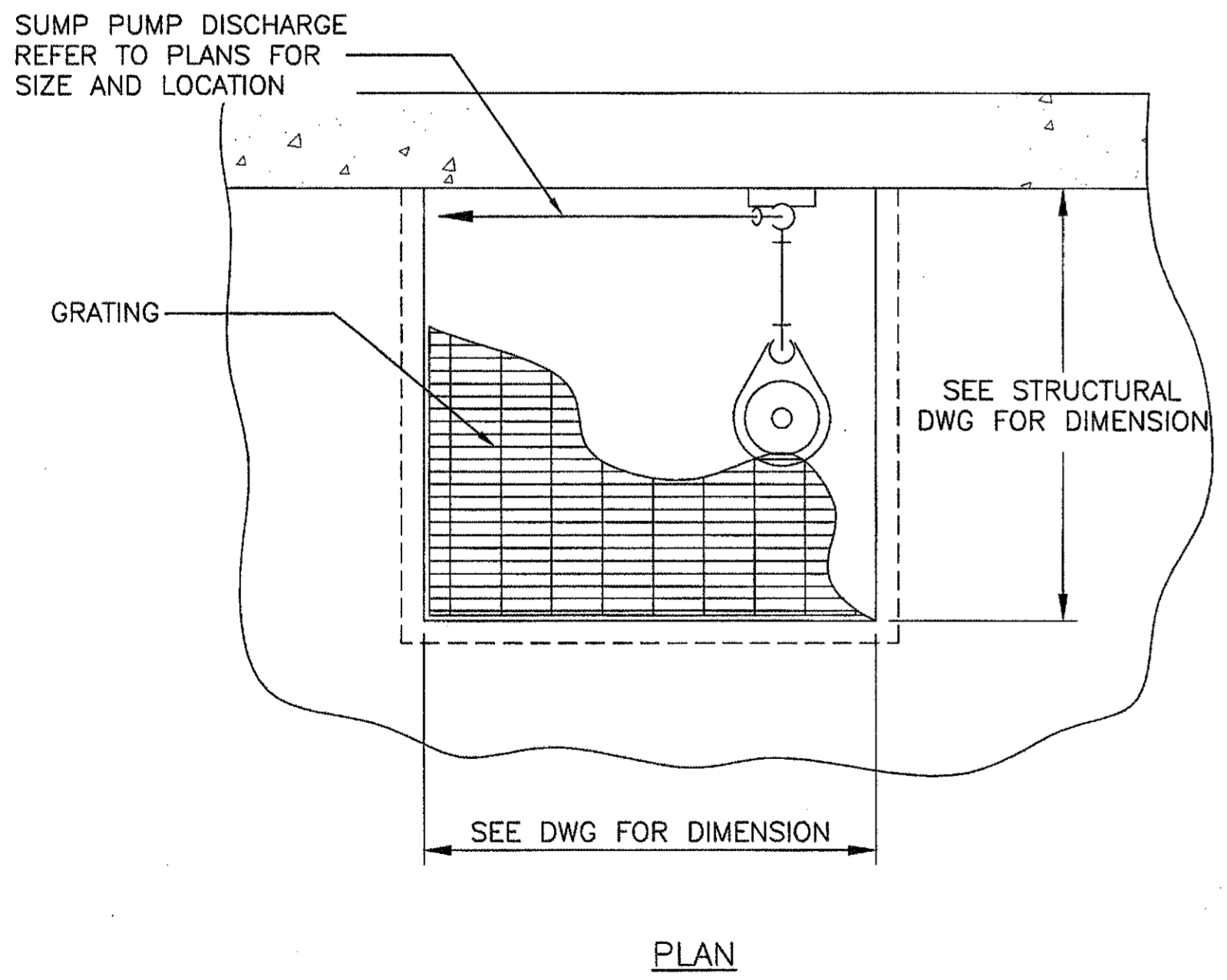
ADJUST SUPPORTS AS REQUIRED FOR PIPES W/ INSULATION

PIPE SIZE (D)	(A)
4" TO 20"	8"
24" TO 48"	12"

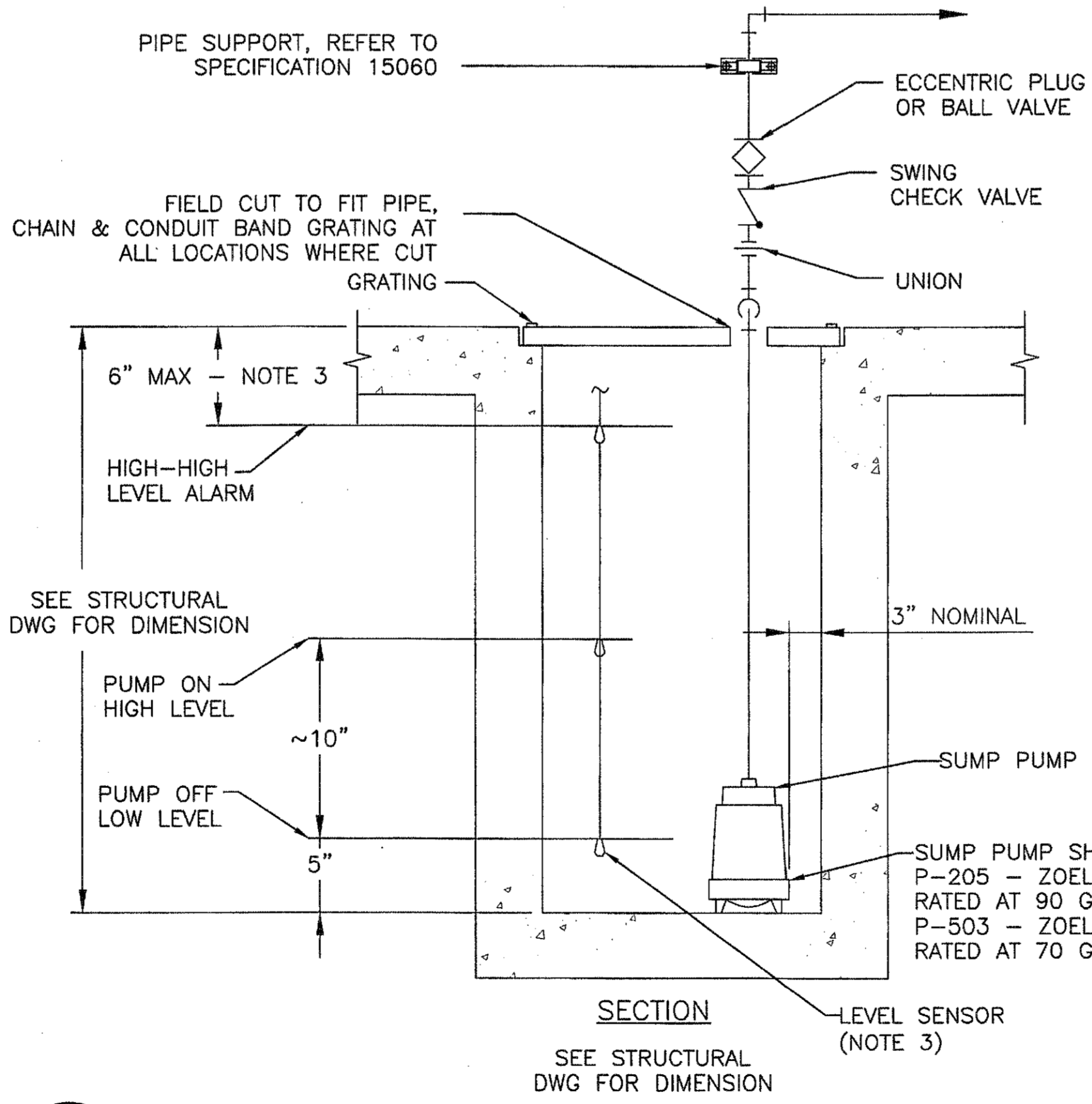
2 **DETAIL 2**
D0-501 SCALE: NTS

NOTES:

- SEE DRAWING FOR SUMP PUMP LOCATION, DISCHARGE PIPE AND VALVE SIZES.
- SUMP PUMPS SHALL BE ZOELLER MODEL 292/4292 OR EQUAL.
- HIGH ALARM LEVEL SHALL BE REFERENCED TO THE TOP OF SUMP. FOR SUMPS THAT ARE LESS THAN 2'6" DEEP, THE HIGH LEVEL SWITCH SHALL BE SET 1 INCH FROM THE TOP OF THE SUMP.



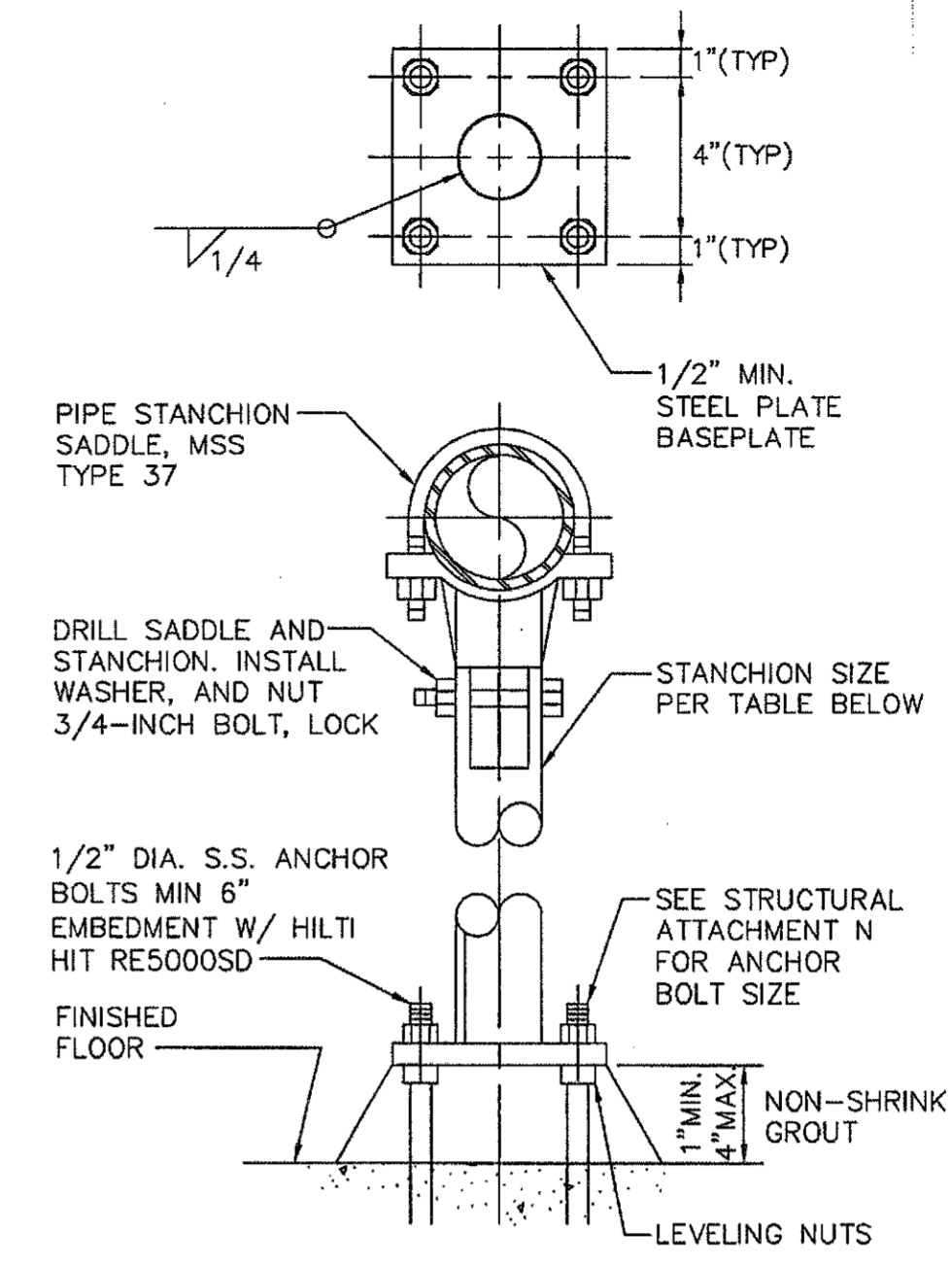
PLAN



SECTION
SEE STRUCTURAL DWG FOR DIMENSION

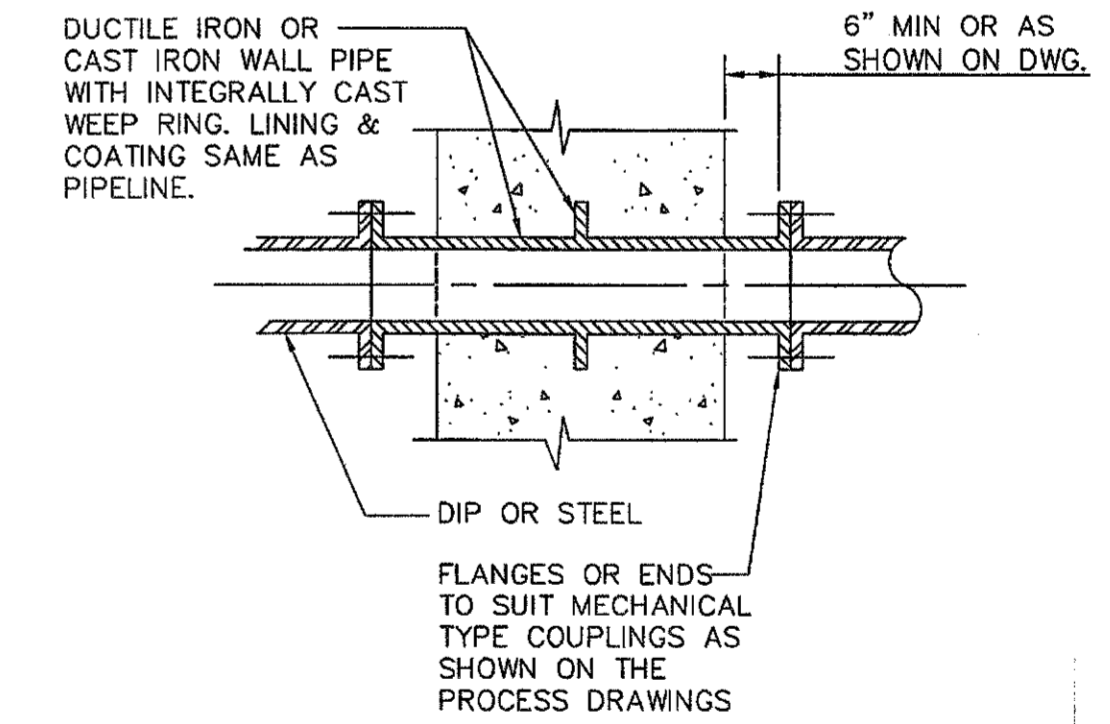
3 **DETAIL 3**
D0-501 SCALE: NTS

SUMP PUMP SHALL BE:
P-205 - ZOELLER PUMP CO. MODEL 4292
RATED AT 90 GPM AT 19.5 FT. TDH OR EQUAL
P-503 - ZOELLER PUMP CO. MODEL 4295
RATED AT 70 GPM AT 56 FT. TDH OR EQUAL

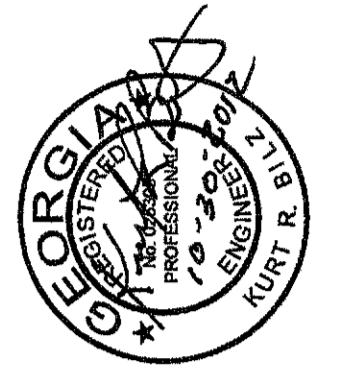


PIPE STANCHION DIAMETER (SCHEDULE 40)			
PIPE SIZE (INCHES)	NOMINAL PIPE STANCHION DIA. (INCHES)	NOMINAL ELBOW OR TEE SIZE (INCHES)	NOMINAL PIPE STANCHION DIA. (INCHES)
2	1-1/2	12	8
2-1/2	1-1/2	14	8
3	2	16	10
4	3	18	10
6	4	20	10
8	4	24	12
10	6	30	12

4 **TYPE 10 PIPE HANGER 3 IN THROUGH 12 IN PIPE**
D0-501 SCALE: NTS



5 **TYPE F PIPE PENETRATION.**
D0-501 SCALE: 1:1



PEACHTREE CREEK SOUTH FORK
RELIEF STORAGE AND PUMPING STATION
CITY OF ATLANTA
DEPARTMENT OF WATERSHED MANAGEMENT

REV	DATE	REVISION DESCRIPTION
0	10/28/12	100 PERCENT BID PACKAGE

THIS LINE IS ONE INCH LONG WHEN PLOTTED FULL SCALE
THIS DRAWING MUST BE USED IN CONJUNCTION WITH THE APPLICABLE OR GOVERNING TECHNICAL SPECIFICATIONS AND OTHER CONTRACT DOCUMENTS.
PROJECT NO: FC-6260
DATE: OCTOBER 2012
RESP PROF: KB DESIGNER: PS CHECKER: VK
SHEET TITLE
PROCESS
00 - GENERAL
DETAILS
SHEET NO. D0-501 REV 0