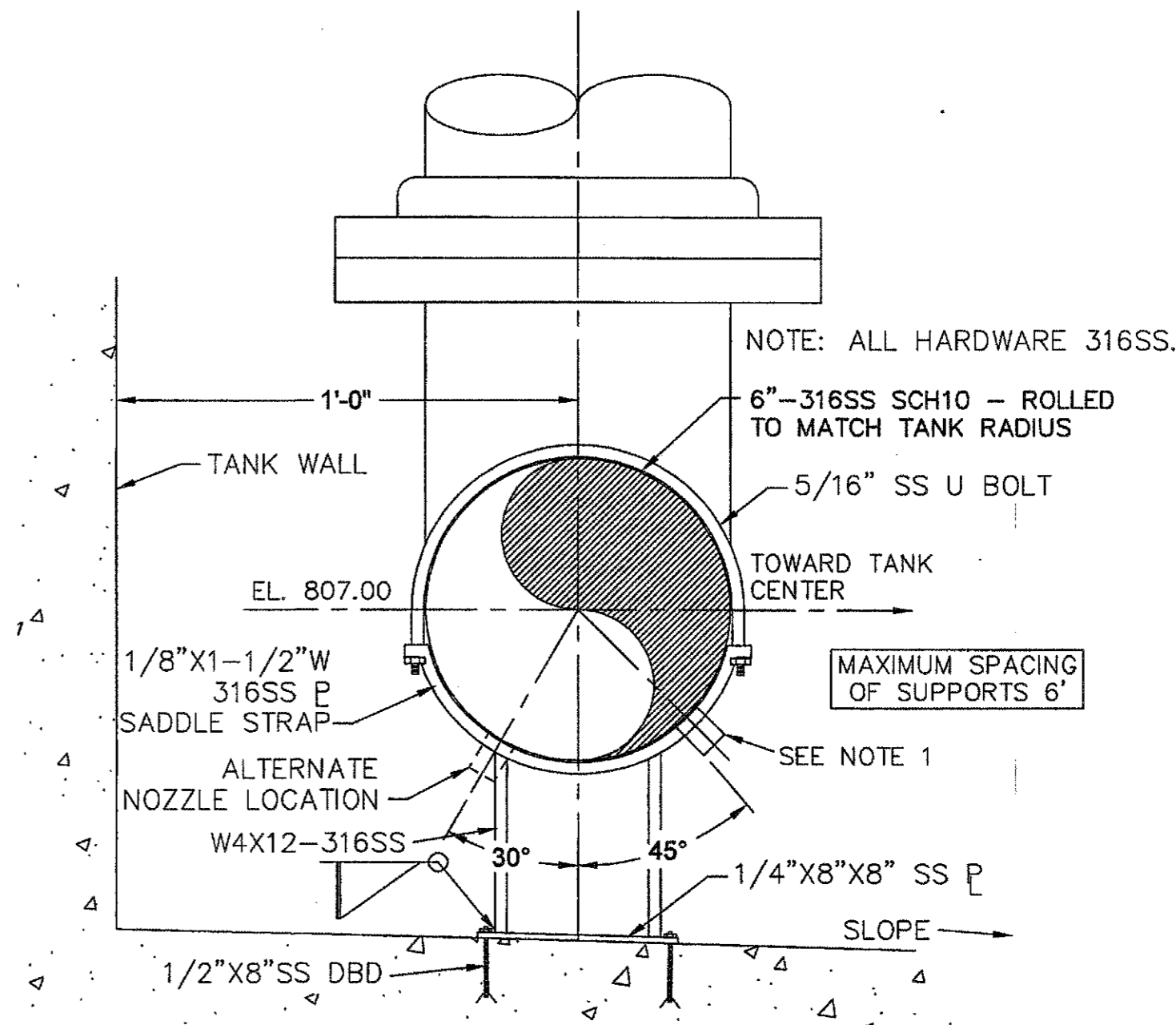
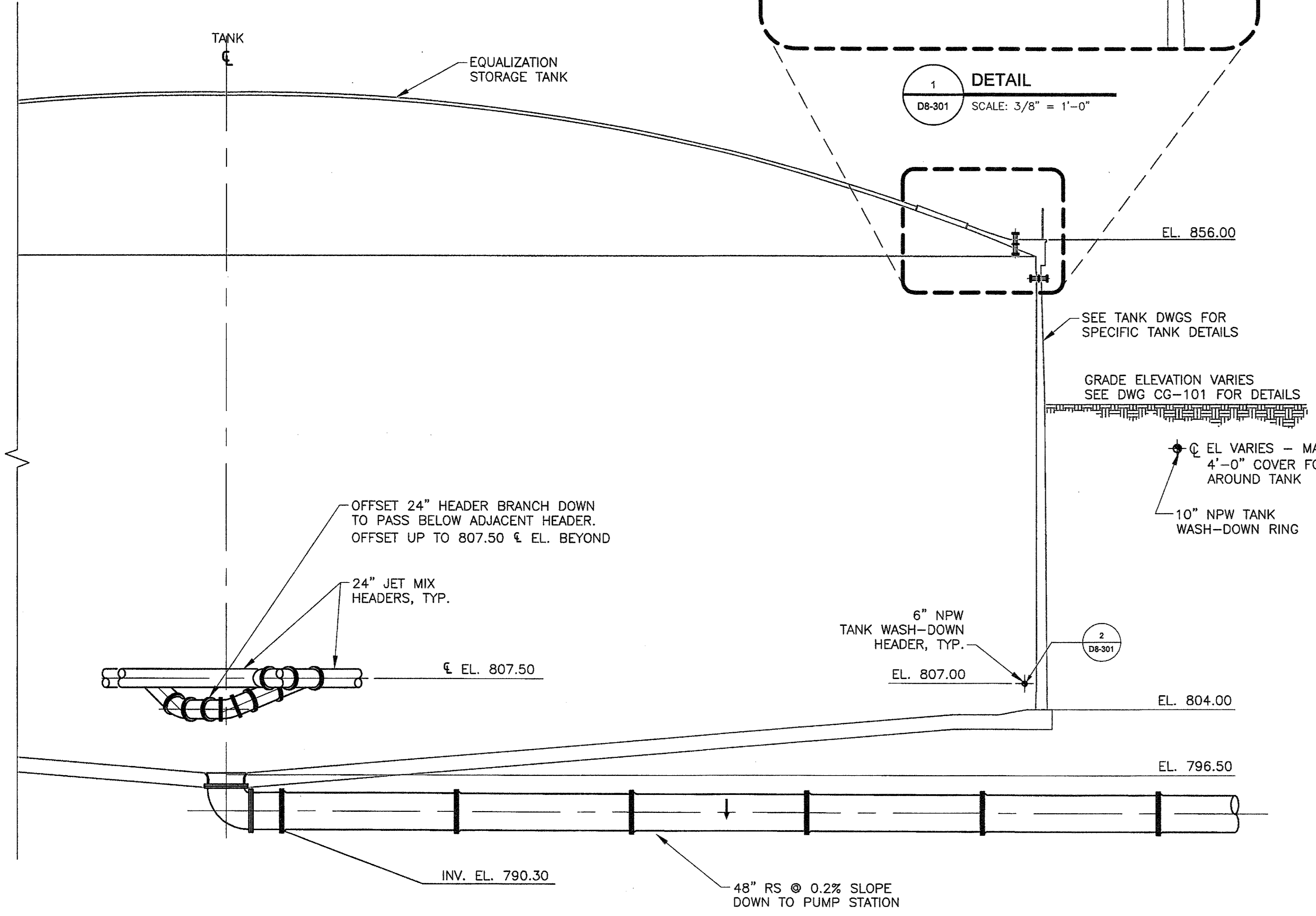


1
DETAIL
D8-301 SCALE: 3/8" = 1'-0"

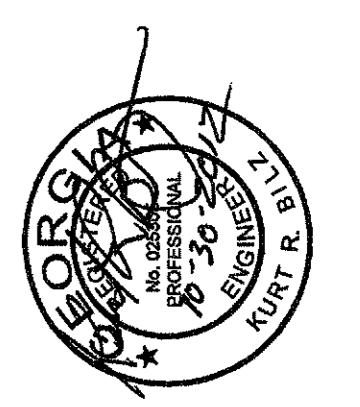
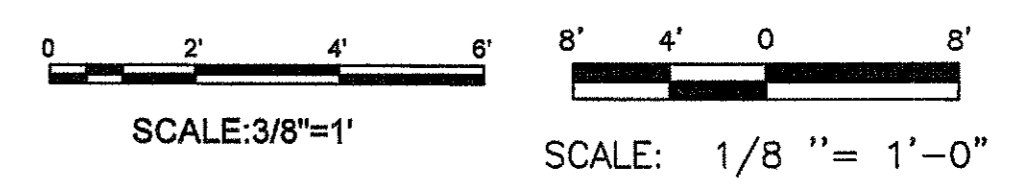


2
EQ WASH-DOWN NOZZLE DETAIL
D8-301 SCALE: NTS

- NOTES:
- NOZZLES SHALL BE 3/4" 90° BETA TYPE NF RATED AT 30 GPM AT 40 PSI, OR APPROVED EQUAL. PLACE EVERY THIRD NOZZLE AT ALTERNATE LOCATION.



A
SECTION A
D8-301 SCALE: 1/8" = 1'-0"



PEACHTREE CREEK SOUTH FORK
RELIEF STORAGE AND PUMPING STATION



DEPARTMENT OF WATERSHED MANAGEMENT

REV	DATE	REVISION DESCRIPTION
0	10/28/12	100 PERCENT BID PACKAGE

THIS LINE IS ONE INCH LONG WHEN PLOTTED FULL SCALE
THIS DRAWING MUST BE USED IN CONJUNCTION WITH THE APPLICABLE OR GOVERNING TECHNICAL SPECIFICATIONS AND OTHER CONTRACT DOCUMENTS.

PROJECT NO: FC-6260
DATE: OCTOBER 2012
RESP PROF: DESIGNER: CHECKER:

SHEET TITLE
PROCESS
08 - EQUALIZATION TANK
SECTION

SHEET NO. D8-301 REV. 0