

1 2 3 4 5 6 7 8

F

E

D

C

B

A

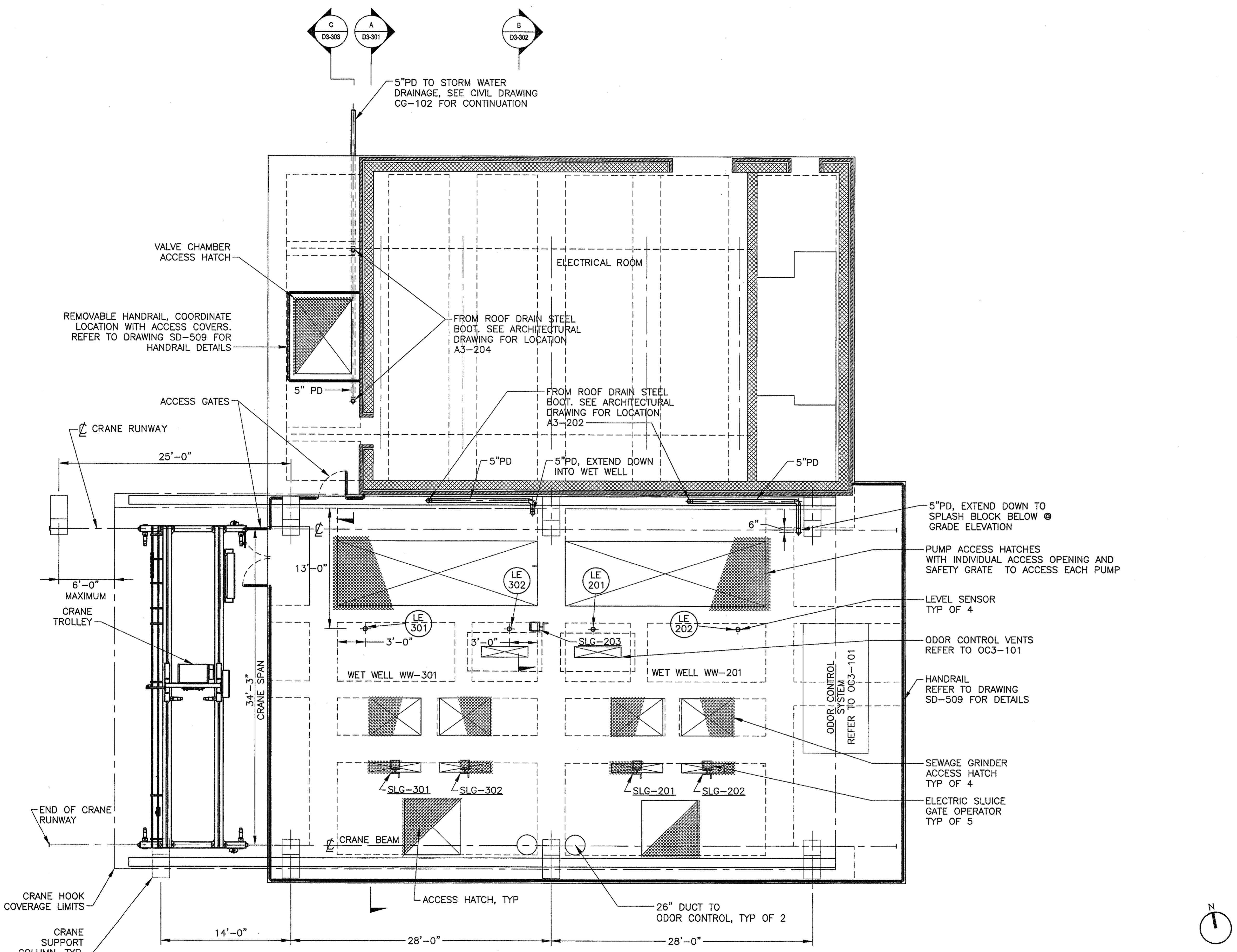
Atlanta Group



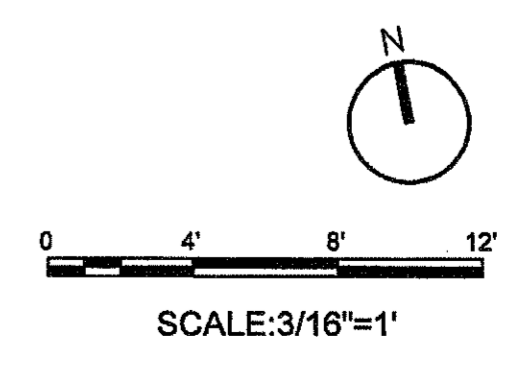
PEACHTREE CREEK SOUTH FORK
RELIEF STORAGE AND PUMPING STATION



DEPARTMENT OF WATERSHED MANAGEMENT



1 TOP PLAN
D3-102 SCALE: 3/16" = 1'-0"



REV	DATE	REVISION DESCRIPTION

THIS LINE IS ONE INCH LONG WHEN PLOTTED FULL SCALE.
THIS DRAWING MUST BE USED IN CONJUNCTION WITH THE APPLICABLE OR GOVERNING CONTRACT TECHNICAL SPECIFICATIONS AND OTHER CONTRACT DOCUMENTS.

PROJECT NO: FC-6260

DATE: OCTOBER 2012

RESP PROF: KB DESIGNER: PS CHECKER: DSF

SHEET TITLE
PROCESS
03 - DIVERSION FACILITY PUMP STATION
TOP PLAN

SHEET NO. D3-102 REV. 0