

F

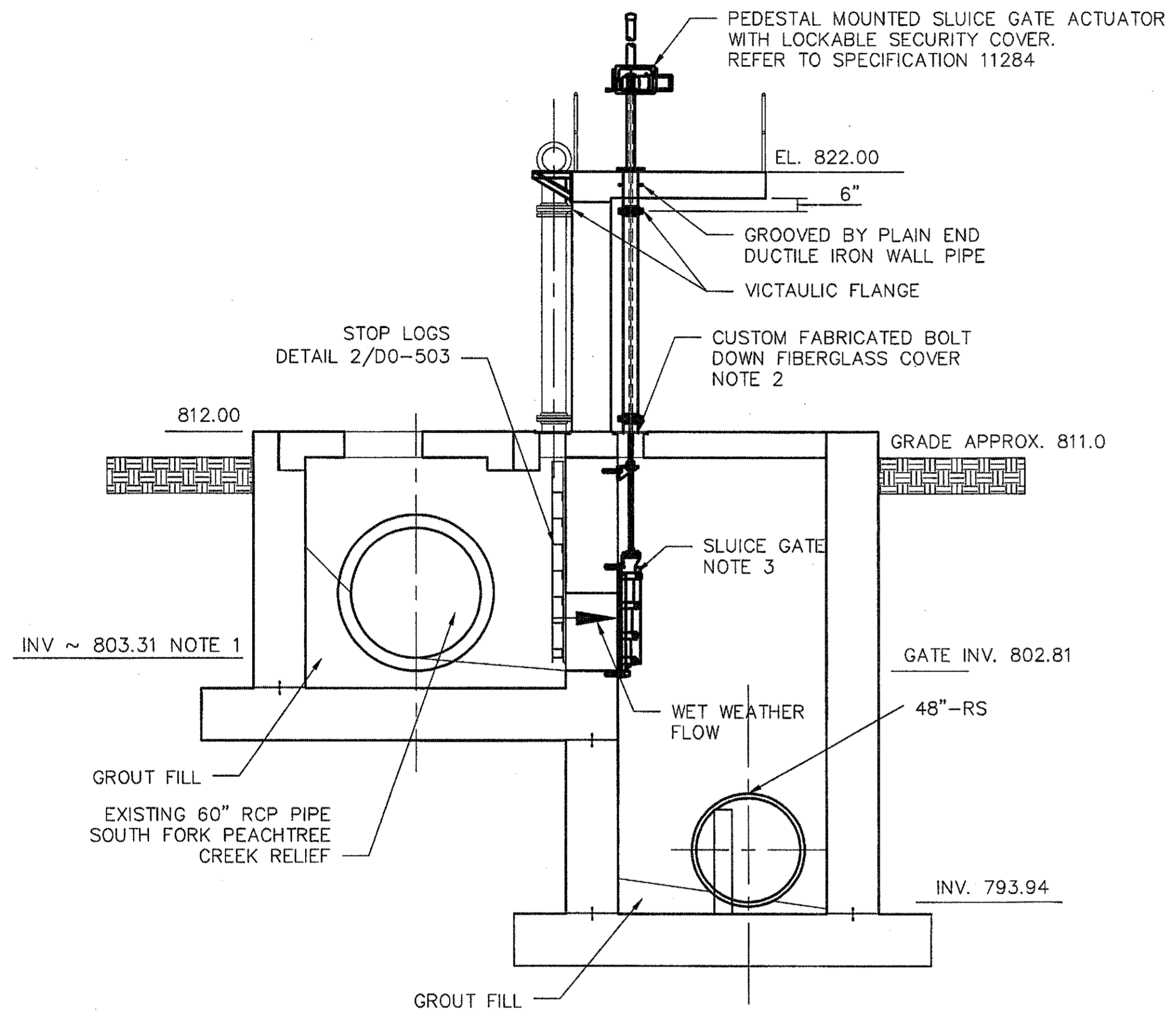
E

D

C

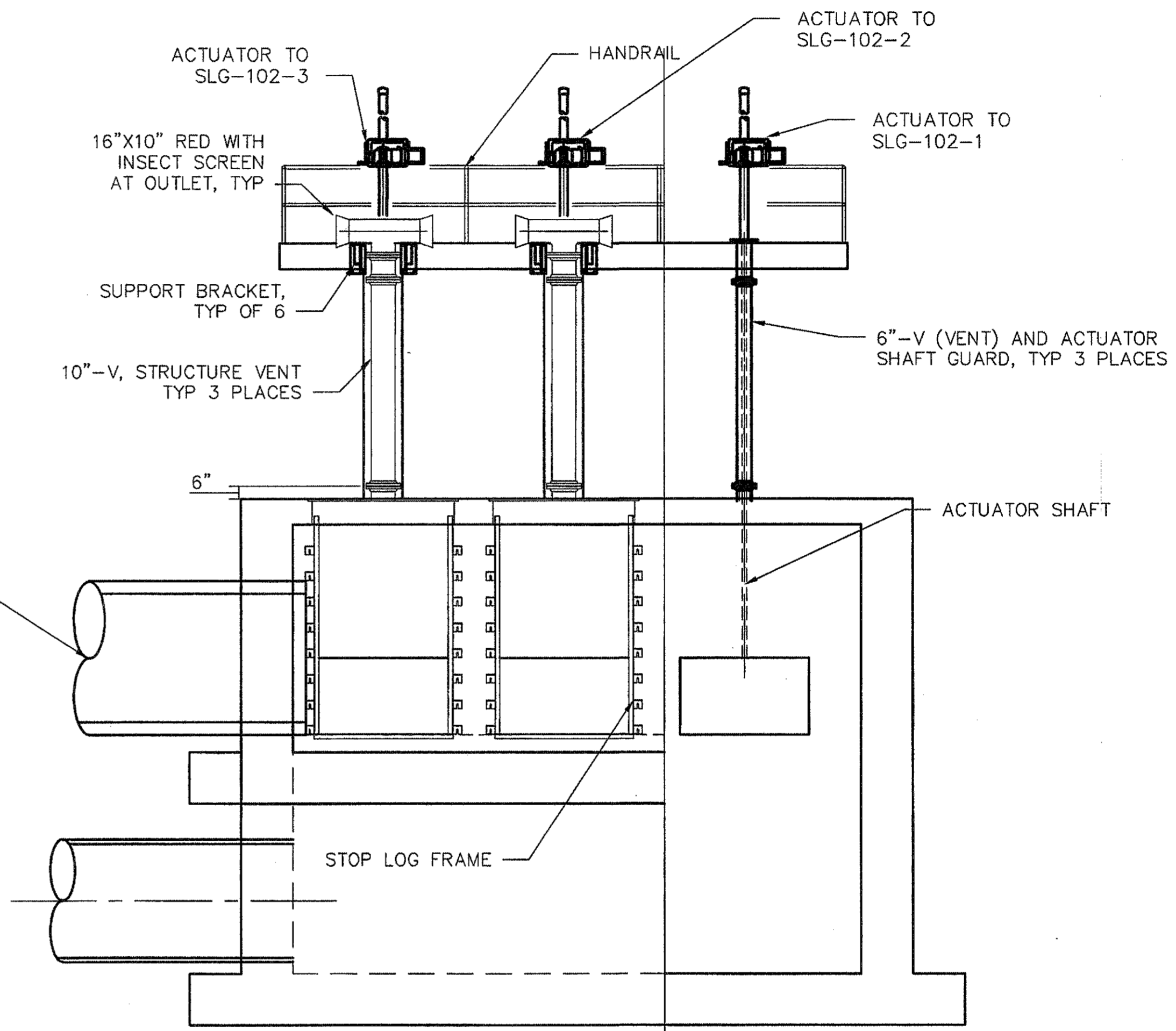
B

A



A SECTION A
D2-301 SCALE: 1/4" = 1'-0"

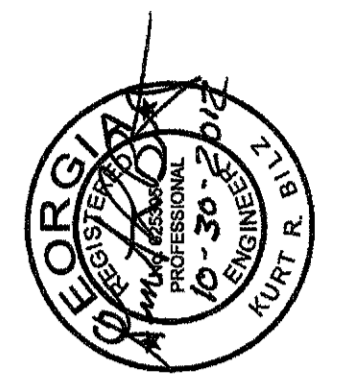
NOTE:
 1. INVERT SHOWN FOR EXISTING 60" PEACHTREE CREEK RELIEF PIPE HAS BEEN DETERMINED BASED ON RECORD DRAWINGS AND UPSTREAM AND DOWNSTREAM ELEVATIONS. CONTRACTOR SHALL CONFIRM THE EXACT ELEVATIONS OF THE PIPE AT THE STRUCTURE LOCATION DURING CONSTRUCTION AND NOTIFY THE ENGINEER PRIOR TO CONSTRUCTION. EXISTING PIPE SLOPE IS 0.16%.
 2. CUSTOM DESIGNED FIBERGLASS COVERS SHALL BE PROVIDED FOR EACH OPENING. COVERS SHALL INCLUDE AN INTEGRAL NOZZLE FOR CONNECTION OF THE 6" VENT/SHAFT GUARD. COVERS SHALL BE PROVIDED WITH FRAME FOR EMBEDMENT IN THE CONCRETE STRUCTURE AND 316 STAINLESS STEEL MOUNTING HARDWARE.



B SECTION B
D2-301 SCALE: 1/4" = 1'-0"



SCALE: 1/4" = 1'-0"



PEACHTREE CREEK SOUTH FORK
RELIEF STORAGE AND PUMPING STATION



DEPARTMENT of WATERSHED MANAGEMENT

REV	DATE	REVISION DESCRIPTION
0	10/29/12	100 PERCENT BID PACKAGE

THIS LINE IS ONE INCH LONG WHEN PLOTTED FULL SCALE

THIS DRAWING MUST BE USED IN CONJUNCTION WITH THE APPLICABLE OR GOVERNING TECHNICAL SPECIFICATIONS AND OTHER CONTRACT DOCUMENTS.

PROJECT NO: FC-6260

DATE: OCTOBER 2012

RESP PROF: KB	DESIGNER: KB	CHECKER: VF
---------------	--------------	-------------

SHEET TITLE
PROCESS
02 - DIVERSION STRUCTURE DS-102
SECTIONS

SHEET NO. D2-301	REV. 0
------------------	--------