

1

2

3

4

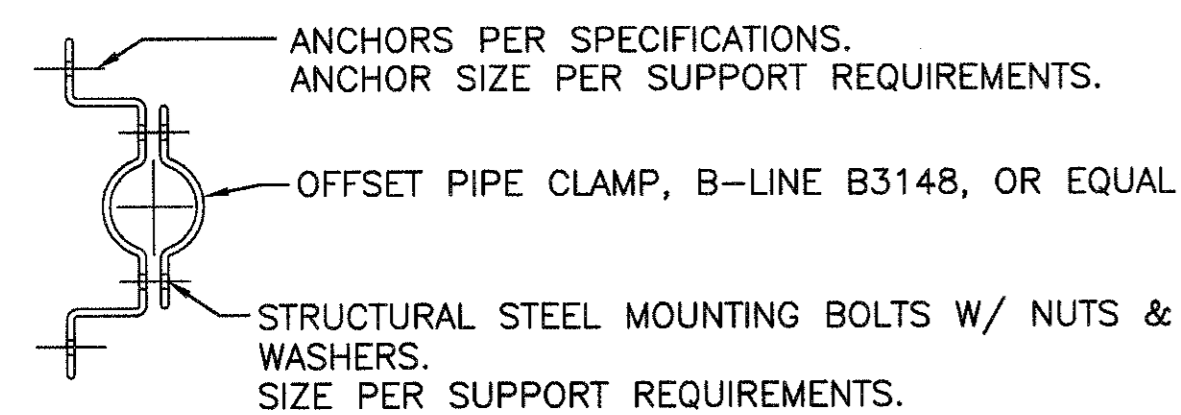
5

6

7

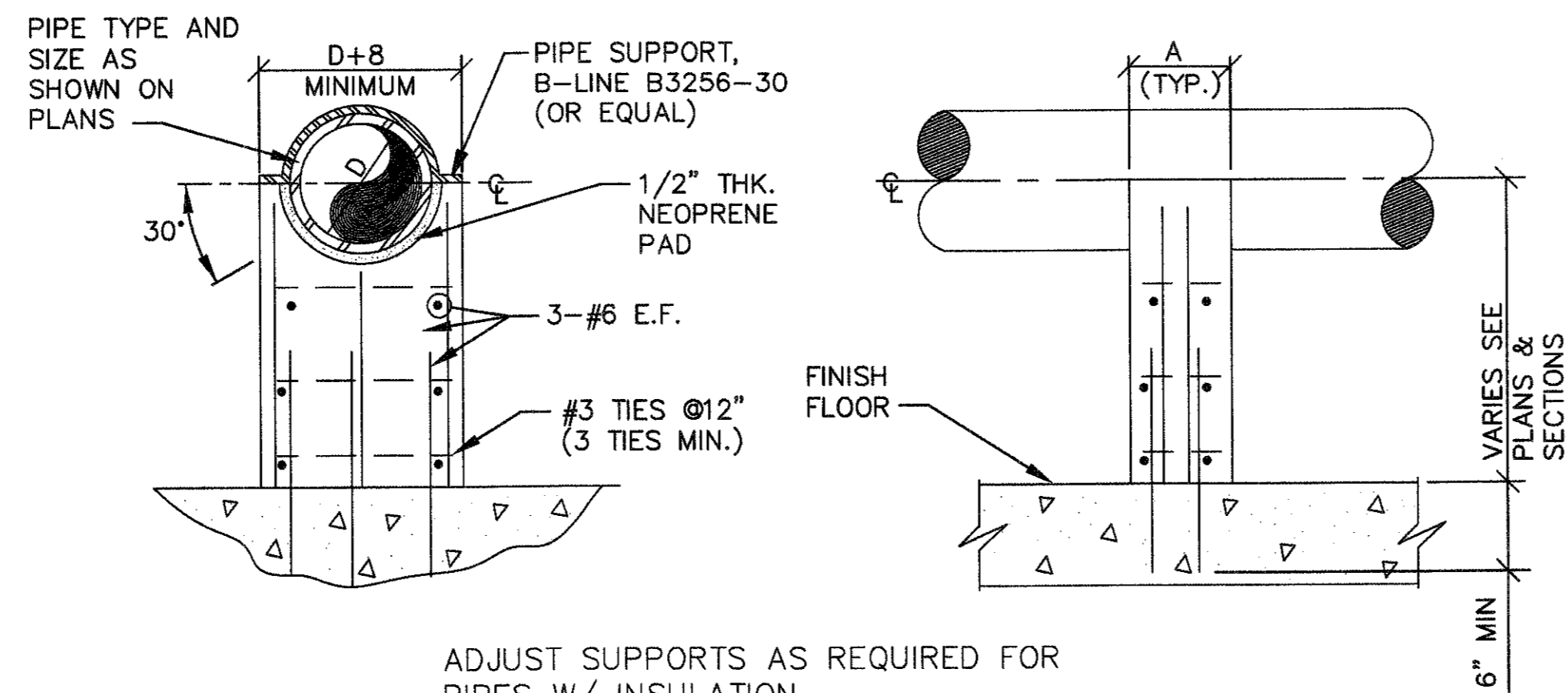
8

F



NOTE: SUPPORTS, ANCHORS AND HARDWARE TO BE 316 STAINLESS STEEL

**1** **DETAIL 1**  
D0-501 SCALE: NTS

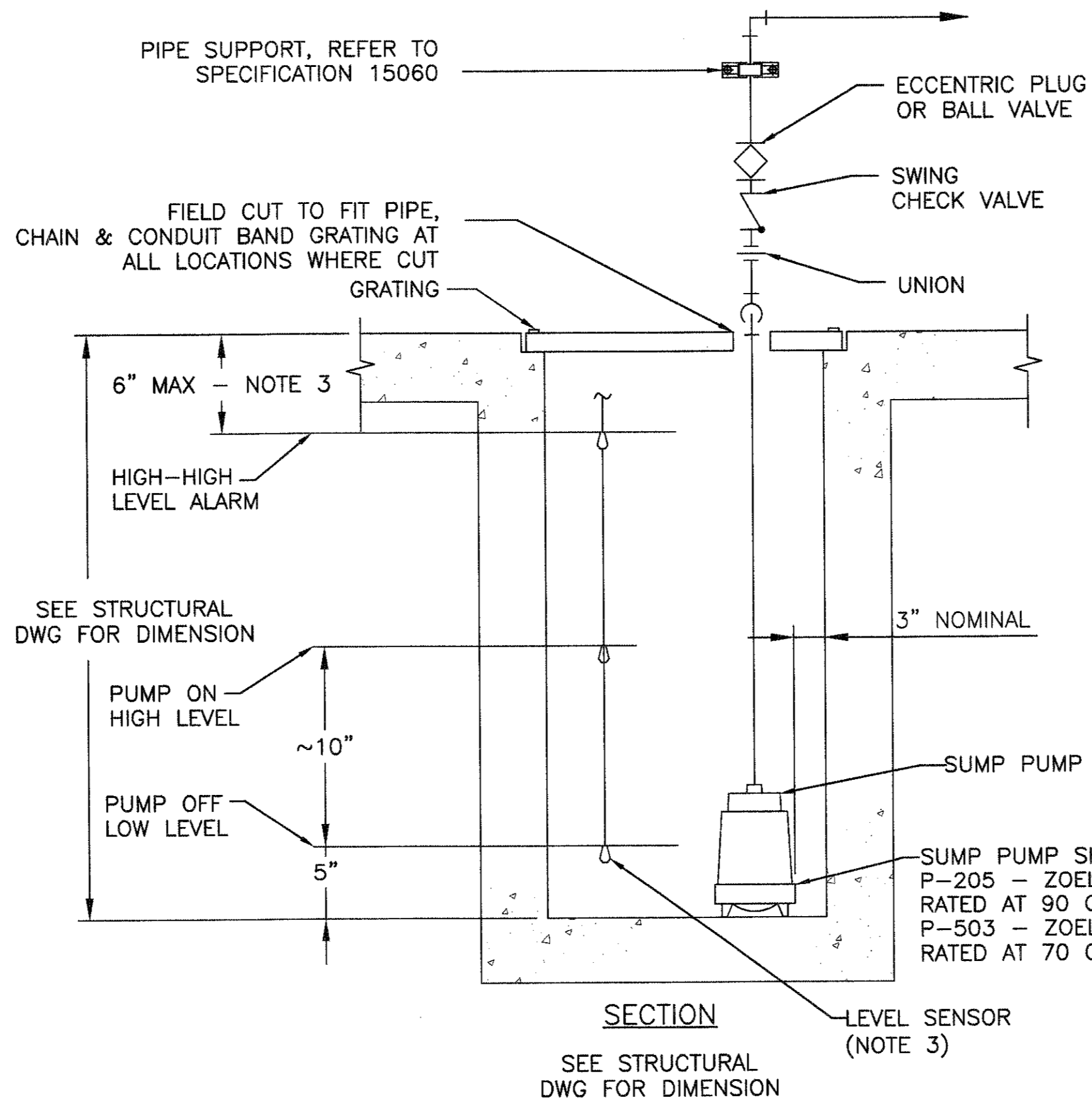
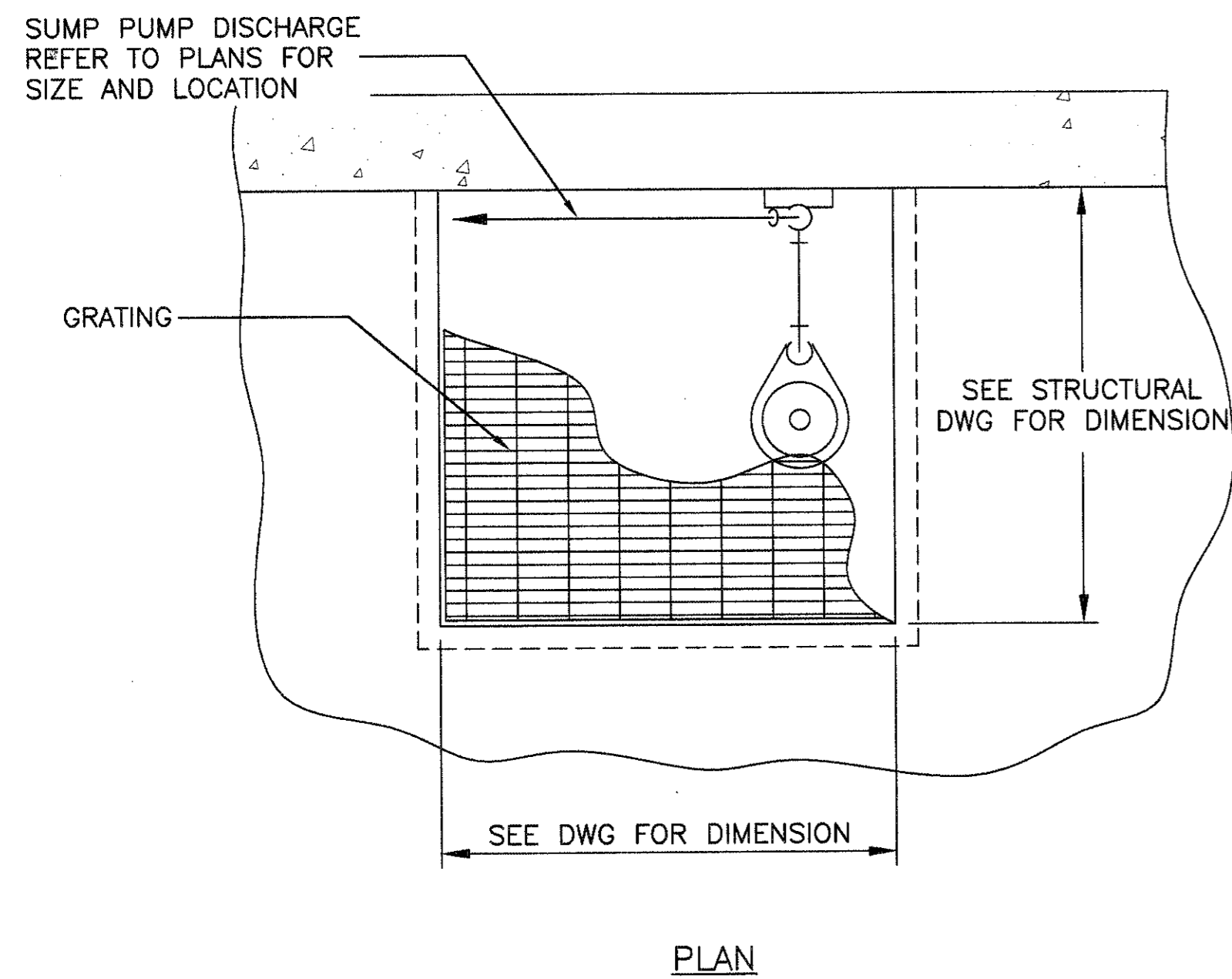


PIPE SIZE (D)	(A)
4" TO 20"	8"
24" TO 48"	12"

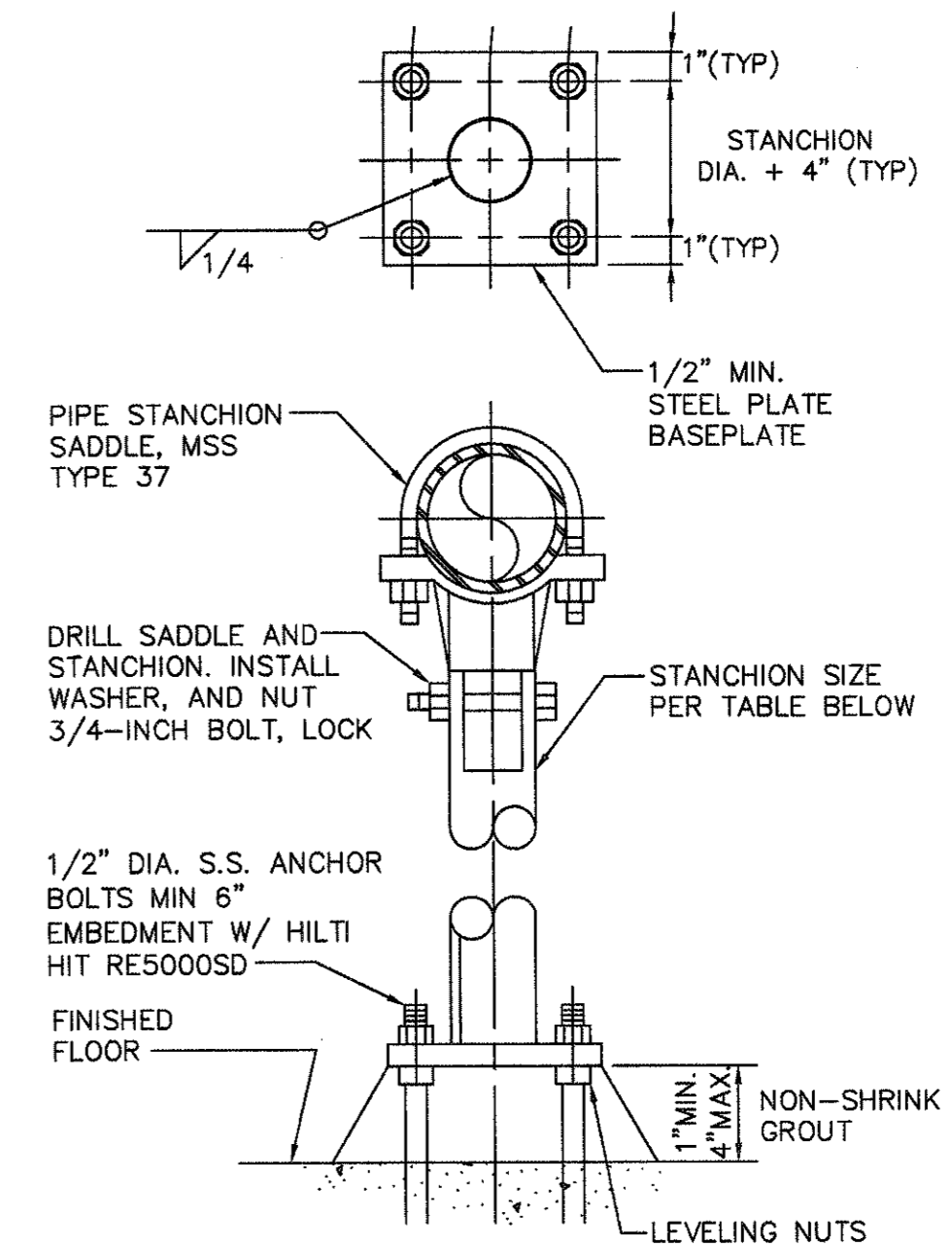
**2** **DETAIL 2**  
D0-501 SCALE: NTS

**NOTES:**

- SEE DRAWING FOR SUMP PUMP LOCATION, DISCHARGE PIPE AND VALVE SIZES.
- SUMP PUMPS SHALL BE ZOELLER MODEL 292/4292 OR EQUAL.
- HIGH ALARM LEVEL SHALL BE REFERENCED TO THE TOP OF SUMP. FOR SUMPS THAT ARE LESS THAN 2'6" DEEP, THE HIGH LEVEL SWITCH SHALL BE SET 1 INCH FROM THE TOP OF THE SUMP.

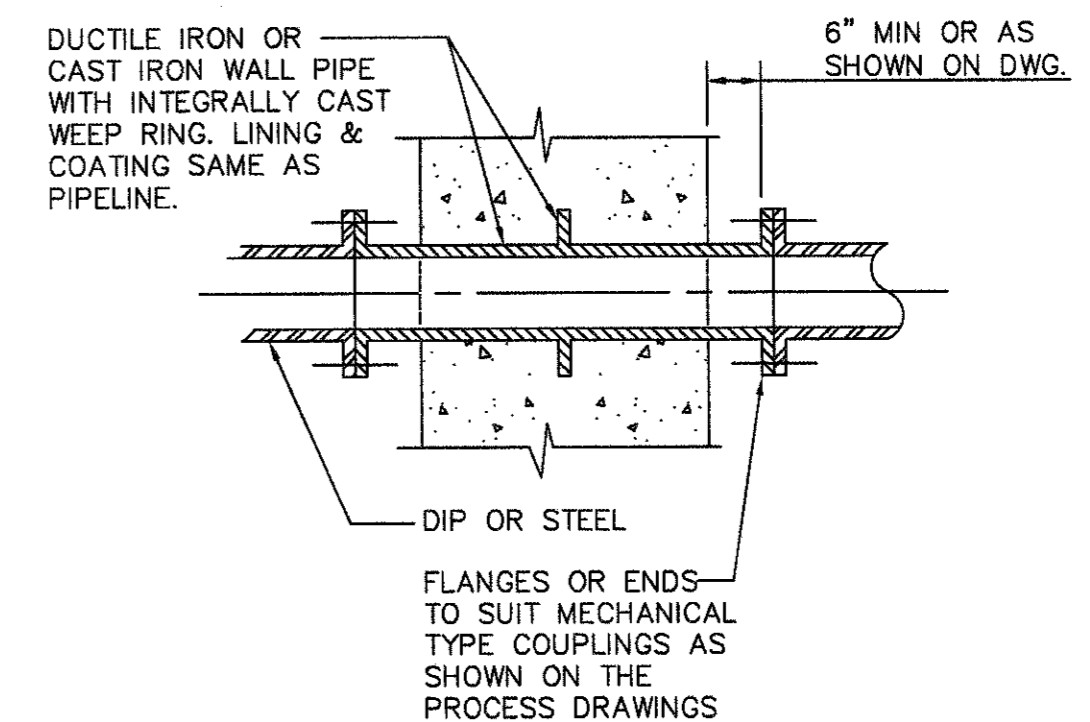


**3** **DETAIL 3**  
D0-501 SCALE: NTS

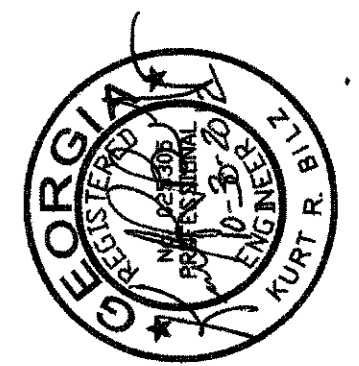


PIPE STANCHION DIAMETER (SCHEDULE 40)			
PIPE SIZE (INCHES)	NOMINAL PIPE STANCHION DIA. (INCHES)	NOMINAL ELBOW OR TEE SIZE (INCHES)	NOMINAL PIPE STANCHION DIA. (INCHES)
2	1-1/2	12	8
2-1/2	1-1/2	14	8
3	2	16	10
4	3	18	10
6	4	20	10
8	4	24	12
10	6	30	12

**4** **TYPE 10 PIPE HANGER 3 IN THROUGH 12 IN PIPE**  
D0-501 SCALE: NTS



**5** **TYPE F PIPE PENETRATION.**  
D0-501 SCALE: 1:1



PEACHTREE CREEK SOUTH FORK RELIEF STORAGE AND PUMPING STATION



DEPARTMENT OF WATERSHED MANAGEMENT

REV	DATE	REVISION DESCRIPTION
0	10/28/12	100 PERCENT BID PACKAGE

THIS LINE IS ONE INCH LONG WHEN PLOTTED FULL SCALE

THIS DRAWING MUST BE USED IN CONJUNCTION WITH THE APPLICABLE OR GOVERNING TECHNICAL SPECIFICATIONS AND OTHER CONTRACT DOCUMENTS.

PROJECT NO: FC-6260

DATE: OCTOBER 2012

RESP PROF: KB DESIGNER: PS CHECKER: VK

SHEET TITLE: PROCESS 00 - GENERAL DETAILS

SHEET NO: D0-501 REV: 0