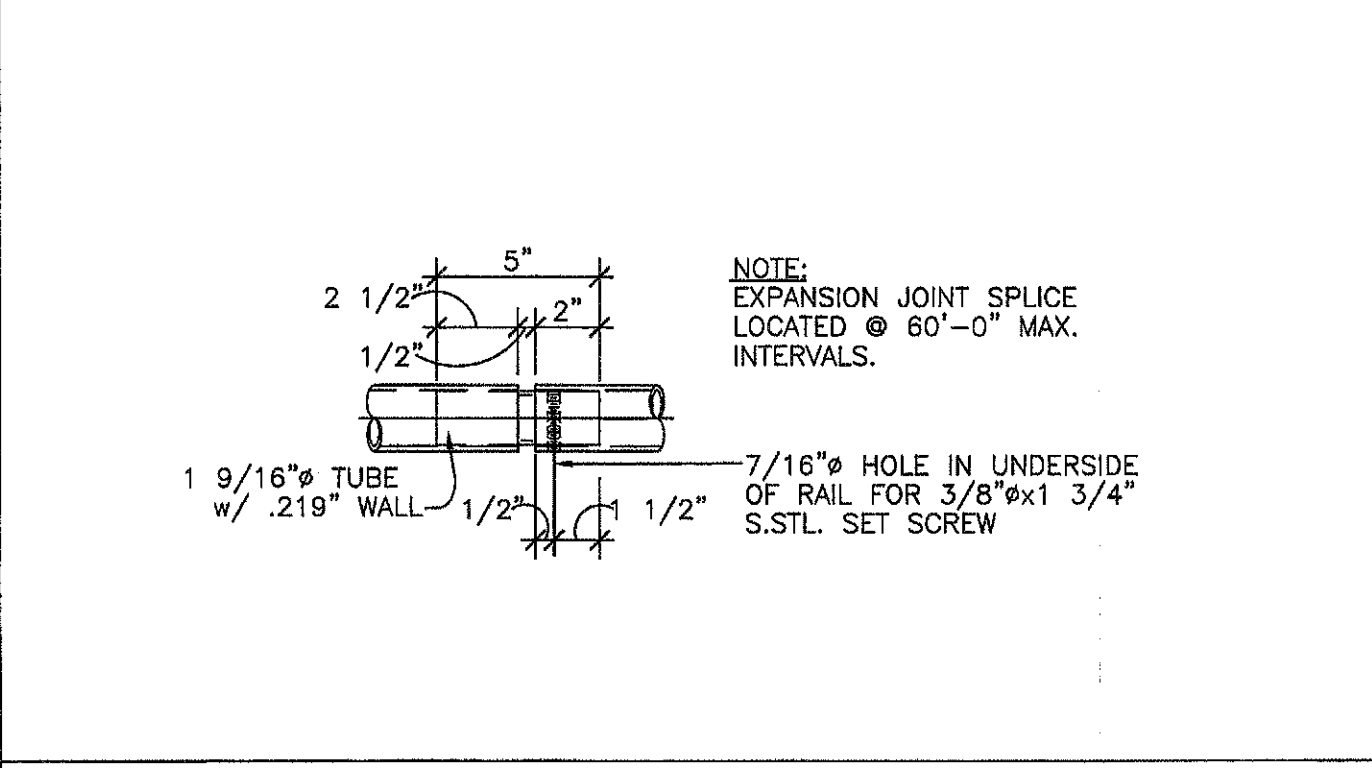
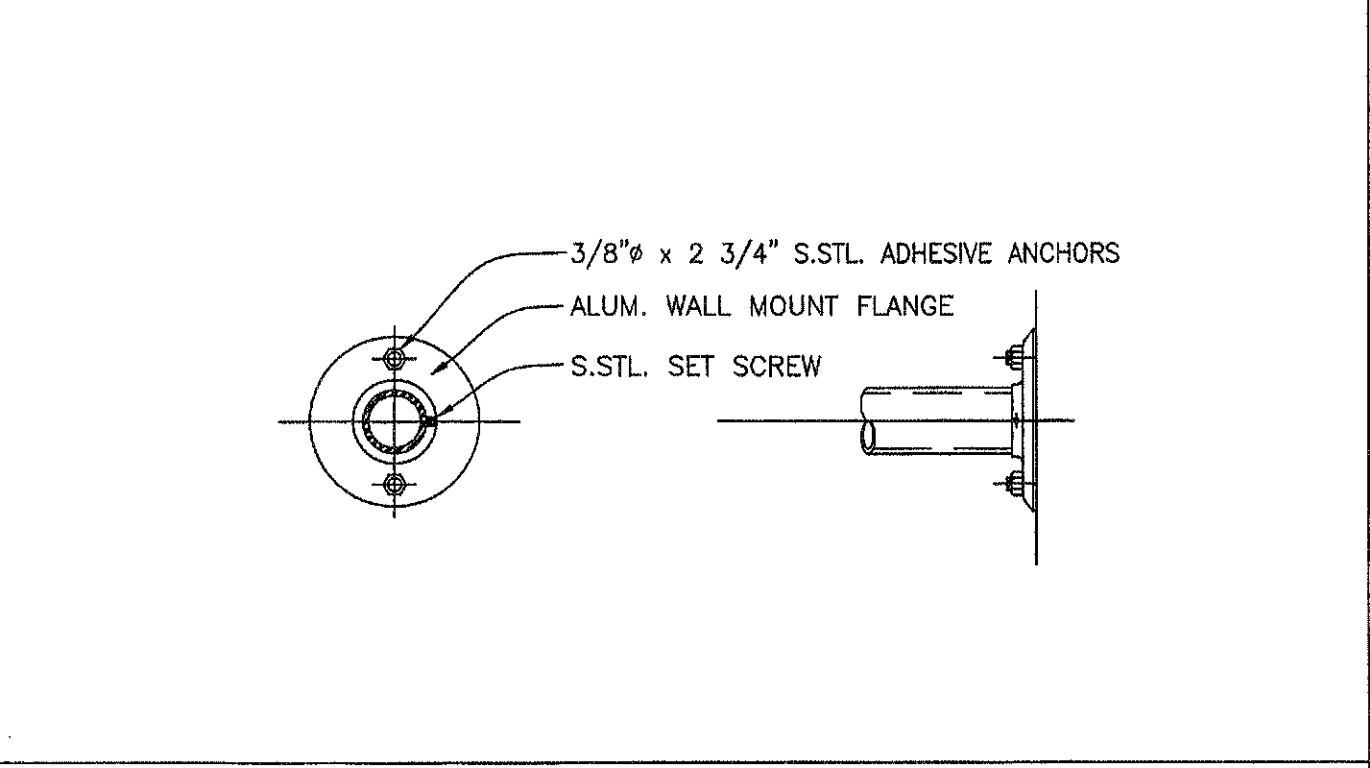
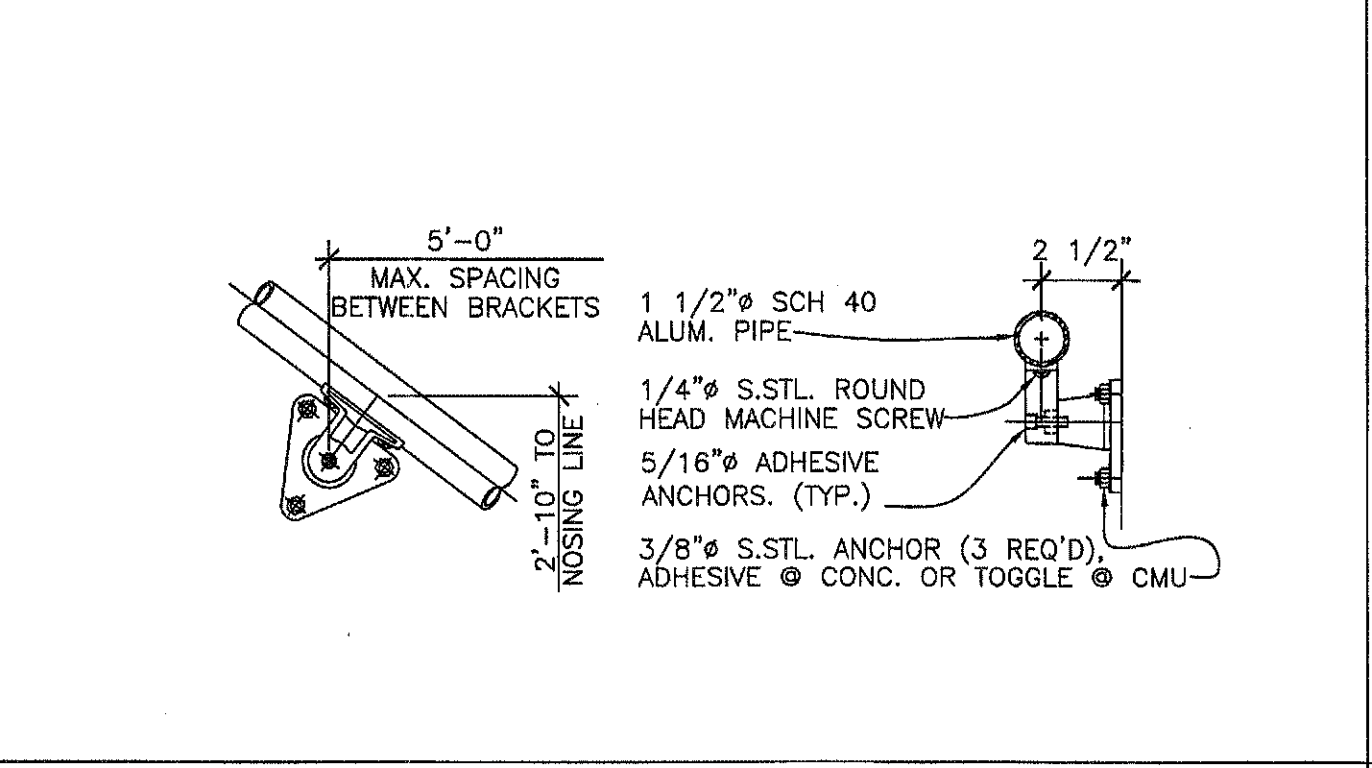
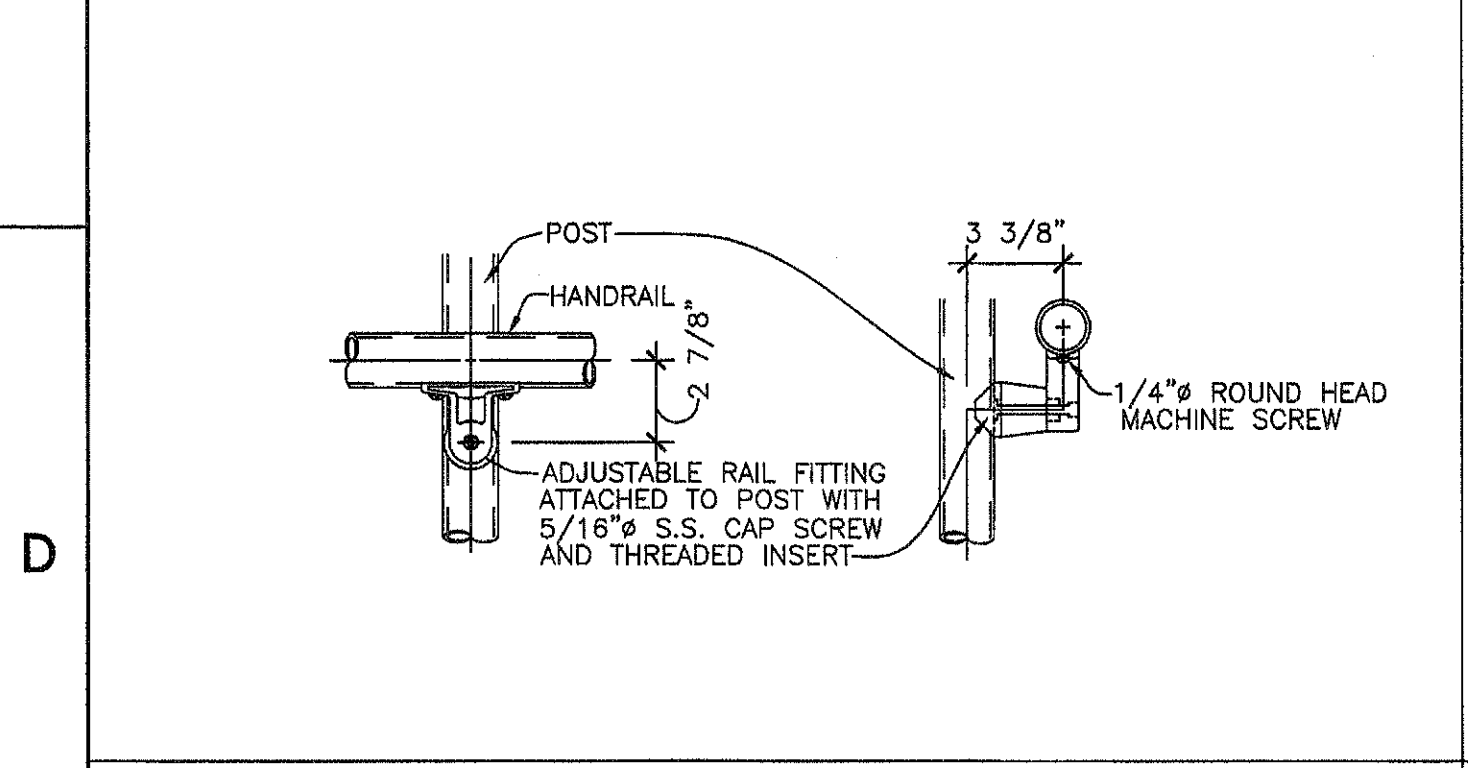


4 TYP. HANDRAIL BASE FLANGE AT LANDING
A7-901 N.T.S.

3 TYP. HANDRAIL BASE FLANGE AT CONC. FL.
A7-901 N.T.S.

2 TYPICAL CORNER RETURNS
A7-901 N.T.S.

1 TYPICAL TEE FITTINGS
A7-901 N.T.S.



8 TYPICAL POST RAIL SUPPORT
A7-901 N.T.S.

7 TYPICAL WALL RAIL SUPPORT
A7-901 N.T.S.

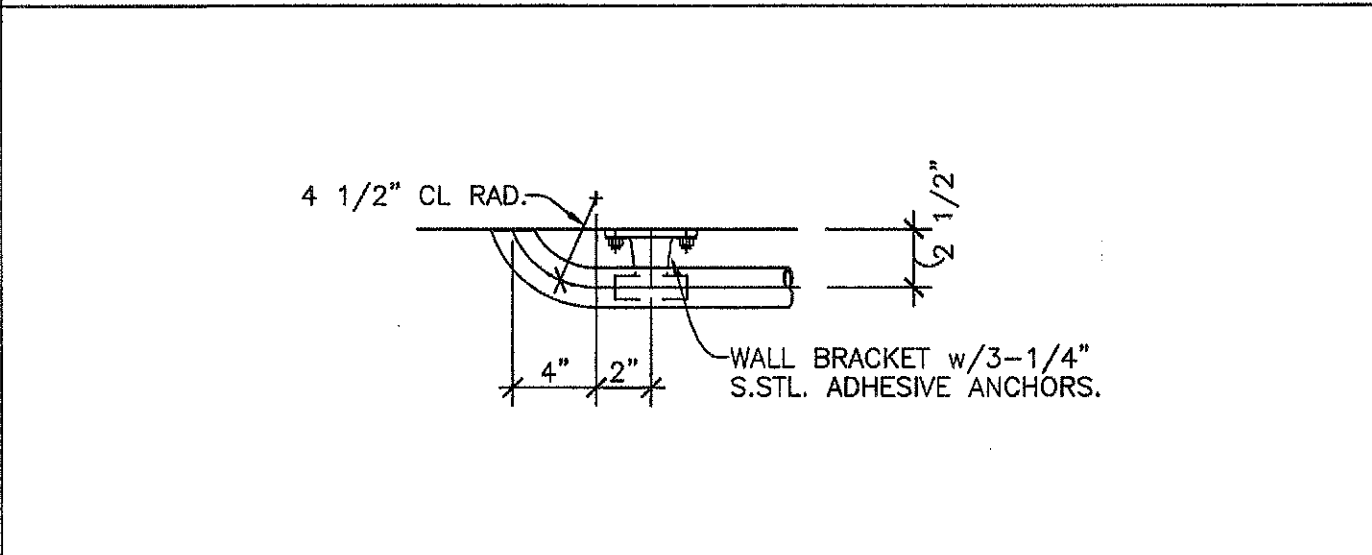
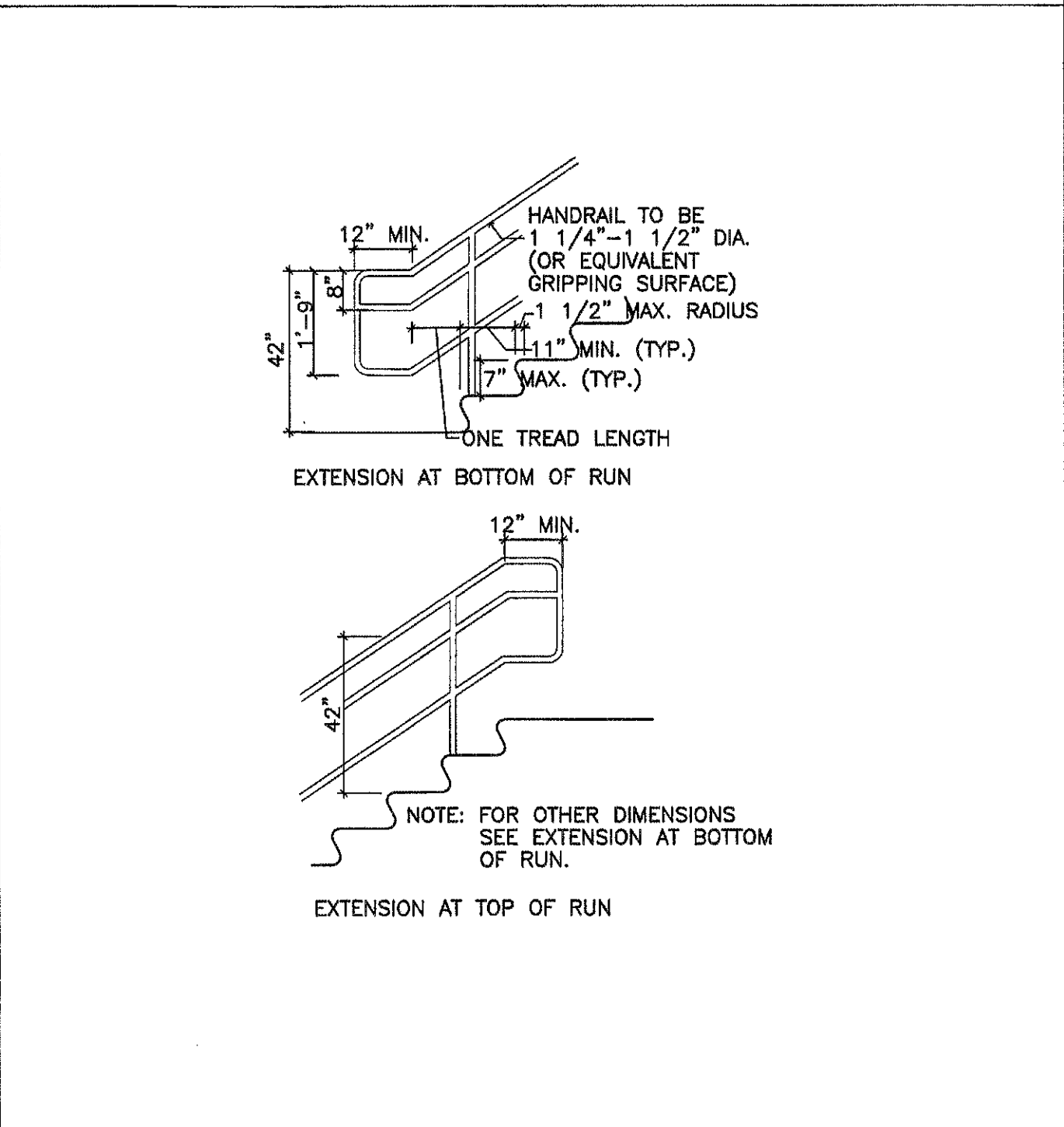
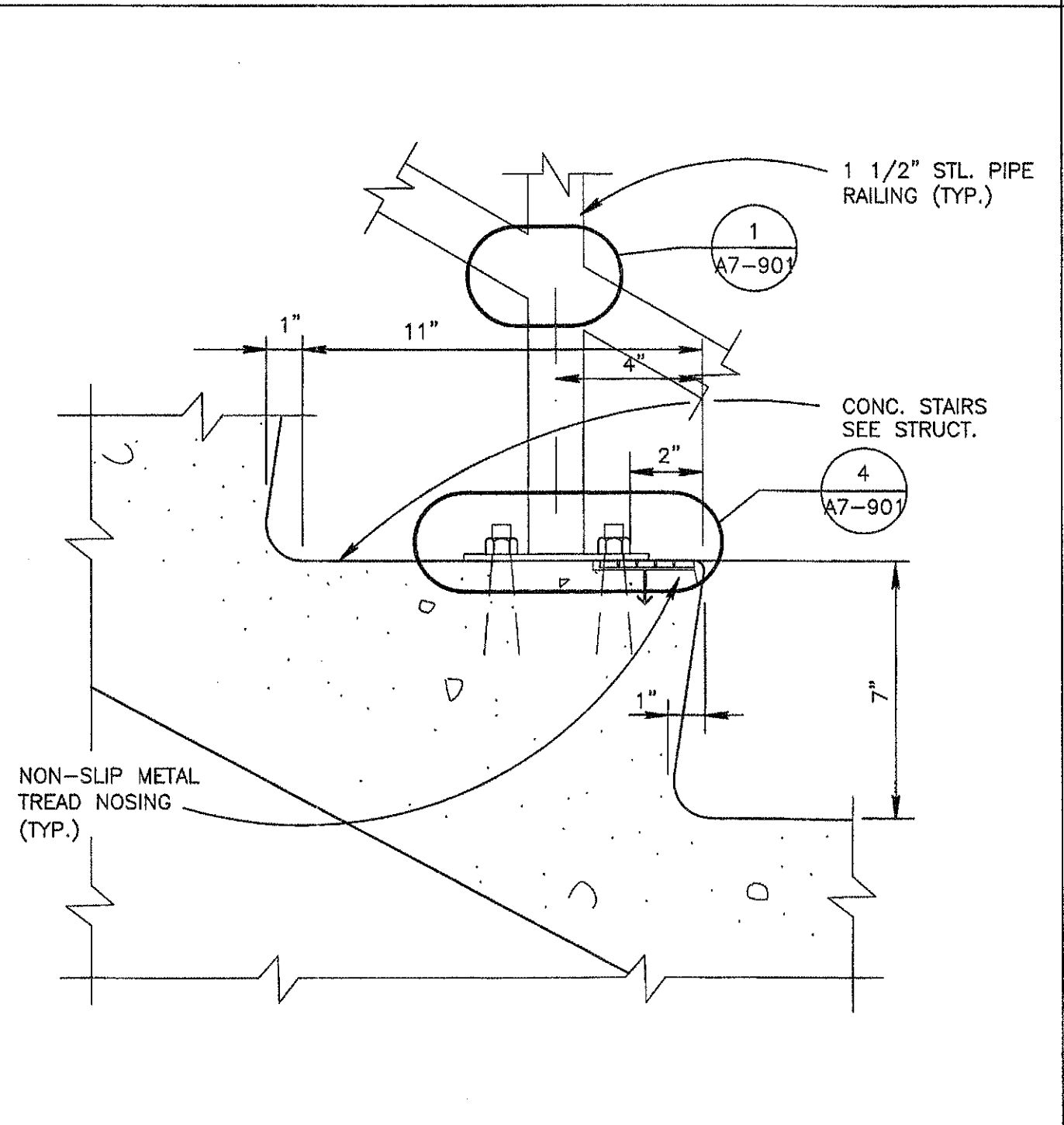
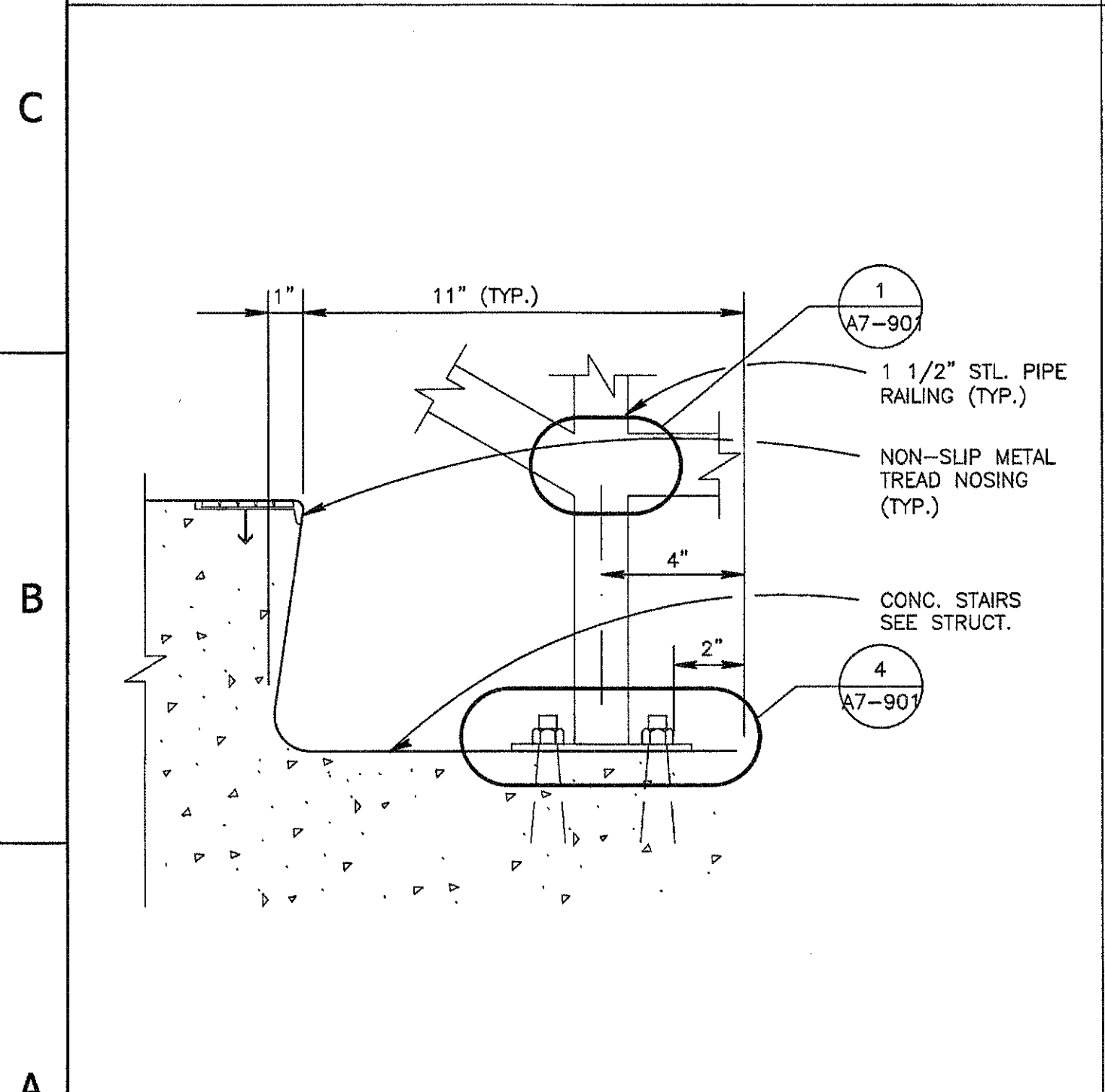
6 TYPICAL WALL FLANGE
A7-901 N.T.S.

5 TYPICAL EXPANSION JOINT SPLICE
A7-901 N.T.S.

PEACHTREE CREEK SOUTH FORK RELIEF STORAGE AND PUMPING STATION

CITY OF ATLANTA

DEPARTMENT of WATERSHED MANAGEMENT

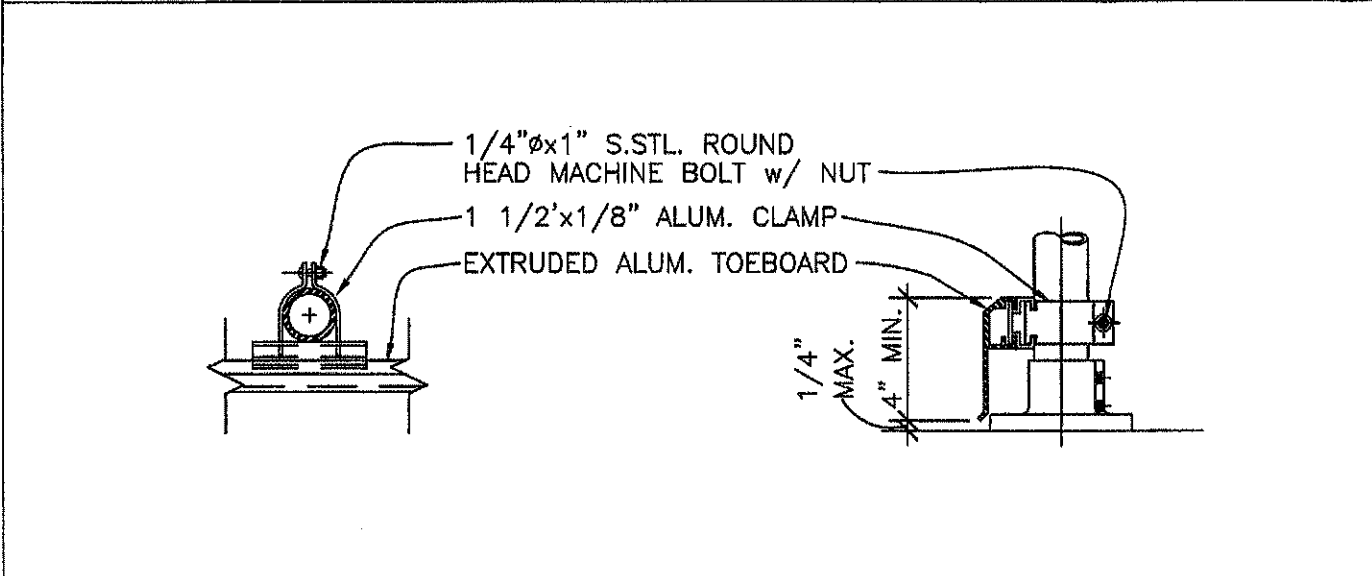


13 BOTTOM STAIR DETAIL
A7-901 N.T.S.

12 INTERMEDIATE STAIR DETAIL
A7-901 N.T.S.

11 HANDRAIL AT STAIRS
A7-901 N.T.S.

9 TYPICAL WALL RETURN
A7-901 N.T.S.



13 BOTTOM STAIR DETAIL
A7-901 N.T.S.

12 INTERMEDIATE STAIR DETAIL
A7-901 N.T.S.

11 HANDRAIL AT STAIRS
A7-901 N.T.S.

10 TYPICAL TOEBOARD
A7-901 N.T.S.

REV	DATE	REVISION DESCRIPTION

THIS LINE IS ONE INCH LONG WHEN PLOTTED FULL SCALE

THIS DRAWING MUST BE USED IN CONJUNCTION WITH THE APPLICABLE OR GOVERNING TECHNICAL SPECIFICATIONS AND OTHER CONTRACT DOCUMENTS.

PROJECT NO: FC-6260

DATE: OCTOBER 2012

RESP PROF: SJ	DESIGNER: LC	CHECKER:
-------------------------	------------------------	-----------------

SHEET TITLE

ARCHITECTURAL

07 - JET MIX PUMP STATION

DETAILS

SHEET NO. A7-901	REV 0
----------------------------	-----------------