

ROOM FINISH SCHEDULE																	
ROOM NO.	ROOM NAME	FLOOR		BASE		N. WALL		E. WALL		S. WALL		W. WALL		REMARKS	ROOM NO.		
		MAT.	FIN.	MAT.	FIN.	MAT.	FIN.	MAT.	FIN.	MAT.	FIN.	MAT.	FIN.			MAT.	HT.
100	ELECTRICAL BLDG.	CONC.	SEALED	-	-	CMU	PNT	CMU	PNT	CMU	PNT	CMU	PNT	-	15'-4"	PAINTED STL. BEAMS AND DECKING	100
101	ELECTRICAL ROOM	CONC.	SEALED	-	-	CMU	PNT	CMU	PNT	CMU	PNT	CMU	PNT	-	15'-4"	PAINTED STL. BEAMS AND DECKING	101
102	PRIVATE - TOILET RM	CONC.	SEALED	-	-	CMU	PNT	CMU	PNT	CMU	PNT	CMU	CONC.	8'-0"		102	
103	STAIR	CONC.	SEALED	-	-	CMU	PNT	CMU	PNT	CMU	PNT	CMU	PNT	GYP.	11'-4"	PAINTED STL. BEAMS AND DECKING	103
104	MECH. SPACE	CONC.	SEALED	-	-	CMU	PNT	CMU	PNT	CMU	PNT	CMU	PNT	-	15'-4"	PAINTED WALLS, STL BEAMS AND DECK	104

LEGEND

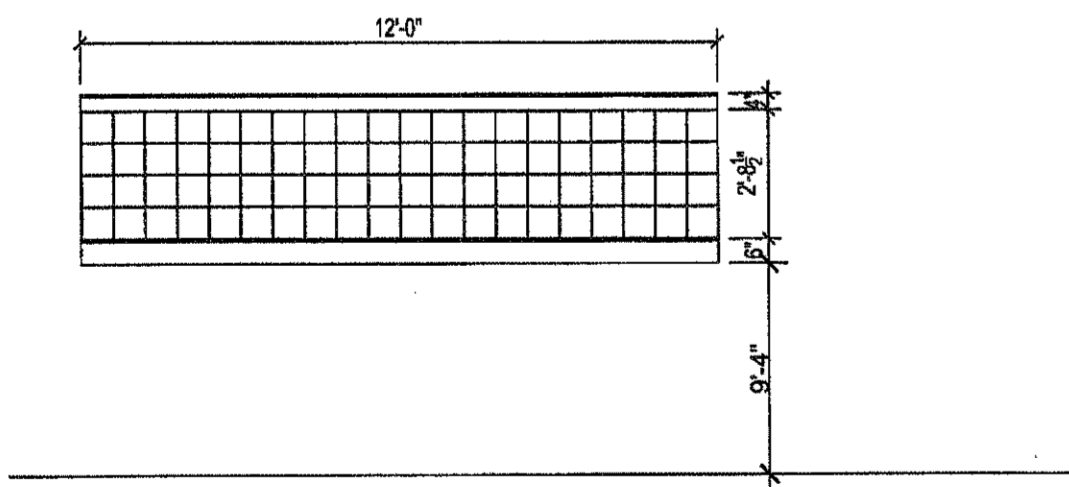
CONC	CONCRETE	WD	WOOD	BRK	BRICK	VCT	VINYL COMPOSITION TILE
SGL	SEMI-GLOSS LATEXS	PNT	PAINTED	EXBRK	EXPOSED BRICK	T.BD	TECTUM BOARD
GWB	GYPSUM WALL BOARD	RB	RUBBER BASE	CMU	CONCRETE MASONRY UNIT		
ACT	ACOUSTICAL CEILING TILE	STN	STAINED	QT	QUARRY TILE		

SIGNAGE SCHEDULE		
ROOM NO.	BUILDING NAME	SIGNAGE TYPES
101	ELECTRICAL BUILDING - ENTRANCE	TYPE 1
102	ELECTRICAL BUILDING - ENTRANCE	TYPE 1
103	STAIR	TYPE 1 / TYPE 2 (INSIDE)
104	ELECTRICAL ROOM	TYPE 1
105		
106	ELECTRICAL ROOM	TYPE 1
107	PRIVATE TOILET ROOM	TYPE 1
108	STAIR	TYPE 1 / TYPE 2 (INSIDE)

GENERAL NOTE:

- TYPE 2: NFPA 101: LIFE SAFETY CODE - SECTION A.7.2.2.5. 4
- SIGNAGE SHALL INDICATE THE IDENTIFICATION OF THE STAIR ENCLOSURE.
- SIGNAGE SHALL INDICATE THE FLOOR LEVEL OF, AND DIRECTION TO, EXIT DISCHARGE
- SIGNAGE SHALL BE LOCATED INSIDE CLOSURE APPROXIMATELY 60 INCHES ABOVE FLOOR LANDING IN A POSITION VISIBLE WHEN DOOR IS IN OPEN OR CLOSED POSITION

WINDOW SCHEDULE								
WINDOW NO.	WINDOW		TYPE	MAT'L	FRAME			REMARKS
	SIZE				H	J	S	
	W	H						
A	12'-0"	2'-8"	4	GLASS BLOCK	WH1/A7-901	WJ1/A7-901	WS1/A7-901	SOLID BLOCK

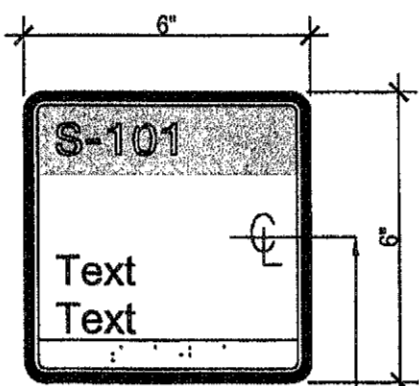


1 WINDOW TYPE

DOOR SCHEDULE															
DOOR NO.	DOOR TYPE	DIMENSIONS			DOOR		FRAME		DOOR DETAILS			RATING/LABEL	REMARKS	NO.	
		WIDTH	HEIGHT	THICK	MAT.	FIN.	TYPE	MAT.	FIN.	HEAD	JAMB				SILL
101	D1.1	3'-0"	7'-0"	1 1/2"	HM	HM	F1.1	HM	PNT	DH1/A7-901	DJ1/A7-901	DS1/A7-901			101
102	D1.1	3'-0"	7'-0"	1 1/2"	HM	HM	F1.1	HM	PNT	DH1/A7-901	DJ1/A7-901	DS1/A7-901			102
103	D2	4'-0"	7'-0"	1 1/2"	HM	HM	F2	HM	PNT	DH1/A7-901	DJ1/A7-901	DS1/A7-901			103
104	D3	6'-0"	7'-0"	1 1/2"	HM	HM	F3	HM	PNT	DH1/A7-901	DJ1/A7-901	DS1/A7-901			104
105	D4	12'-4" M.O.	12'-0"	FACT.	FACT.	FACT.	F4	FACT.	FACT.	DH2/A7-801	DJ2/A7-801	OS2/A7-901		INSUL. ROLL-UP DOOR	105
106	D2	4'-0"	7'-0"	1 1/2"	HM	HM	F3	HM	PNT	DH2/A7-901	DJ2/A7-901	DS2/A7-901			106
107	D1.1	3'-0"	7'-0"	1 1/2"	HM	HM	F1.1	HM	PNT	DH2/A7-901	DJ2/A7-901	DS2/A7-901			107
108	D1.1	3'-0"	7'-0"	1 1/2"	HM	HM	F1.1	HM	PNT	DH3/A7-901	DJ3/A7-901	DS3/A7-901	90 MIN.	PROVIDE CLOSER	108
109	D2	4'-0"	7'-0"	1 1/2"	HM	HM	F2	HM	PNT	DH3/A7-901	DJ3/A7-901	DS3/A7-901	90 MIN.	PROVIDE CLOSER	109

LEGEND

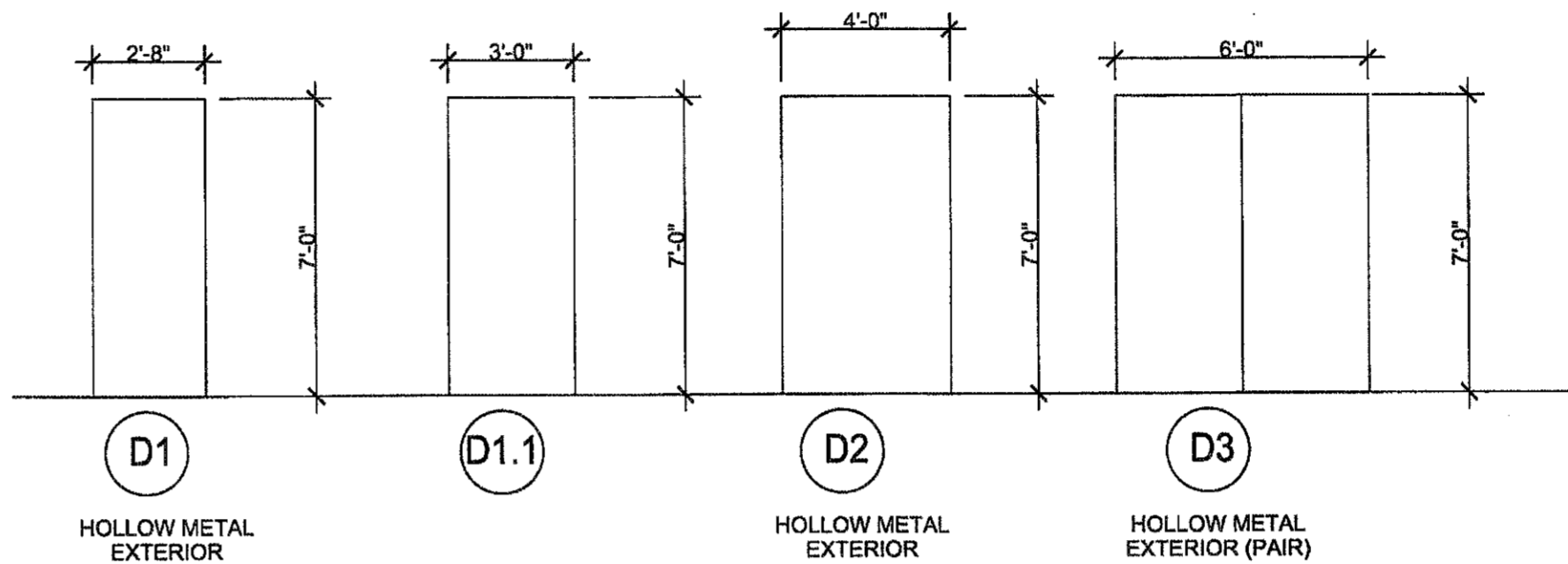
FACTORY FINISH	MAT	MATERIAL	STN	STAINED
HOLLOW METAL	PNT	PAINTED	FRP	FIBERGLASS REINFORCEMENT PANEL
	PR	PAIR	FG	FIBERGLASS
	SC	SOLID CORE WOOD		



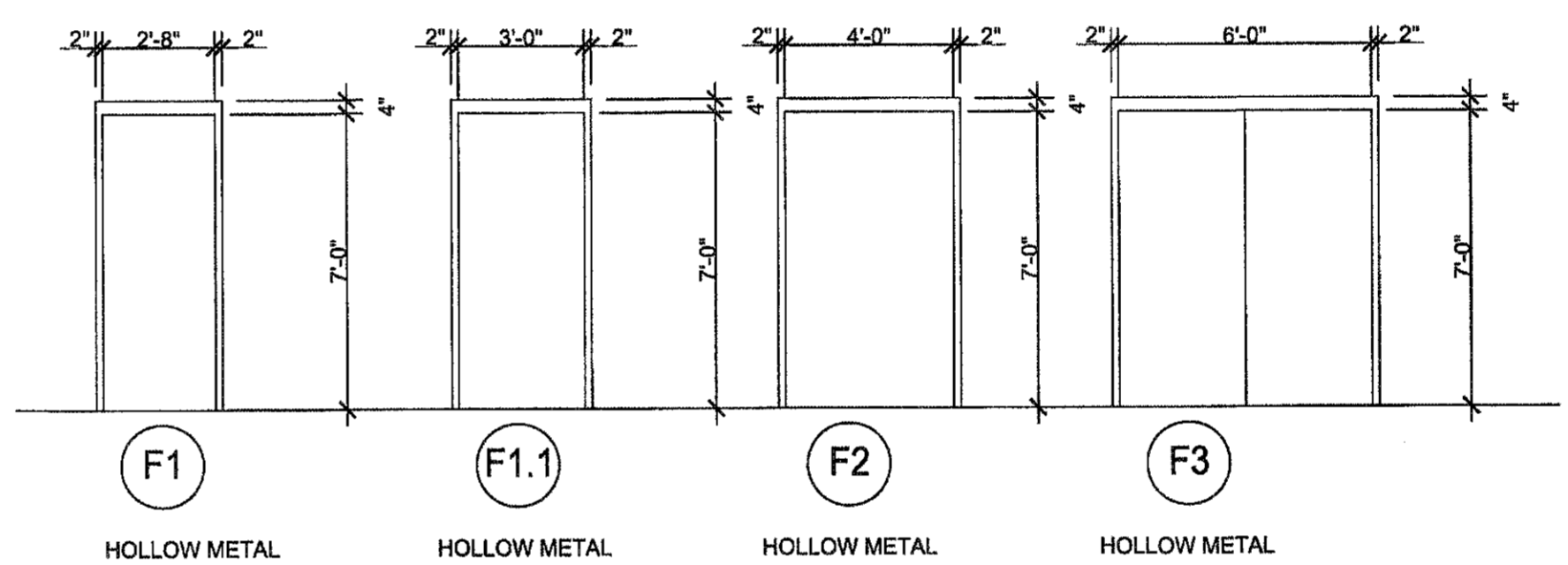
TYPE 1 SCALE: 3/4"=1'-0"

- NOTE:**
- MOUNTING HEIGHT SHALL BE 60" ABOVE THE FINISH FLOOR TO THE CENTERLINE OF SIGN, TYP.
 - SIGN SHALL BE INSTALLED ON THE WALL ADJACENT TO THE LATCH SIDE OF THE DOOR, TYP.

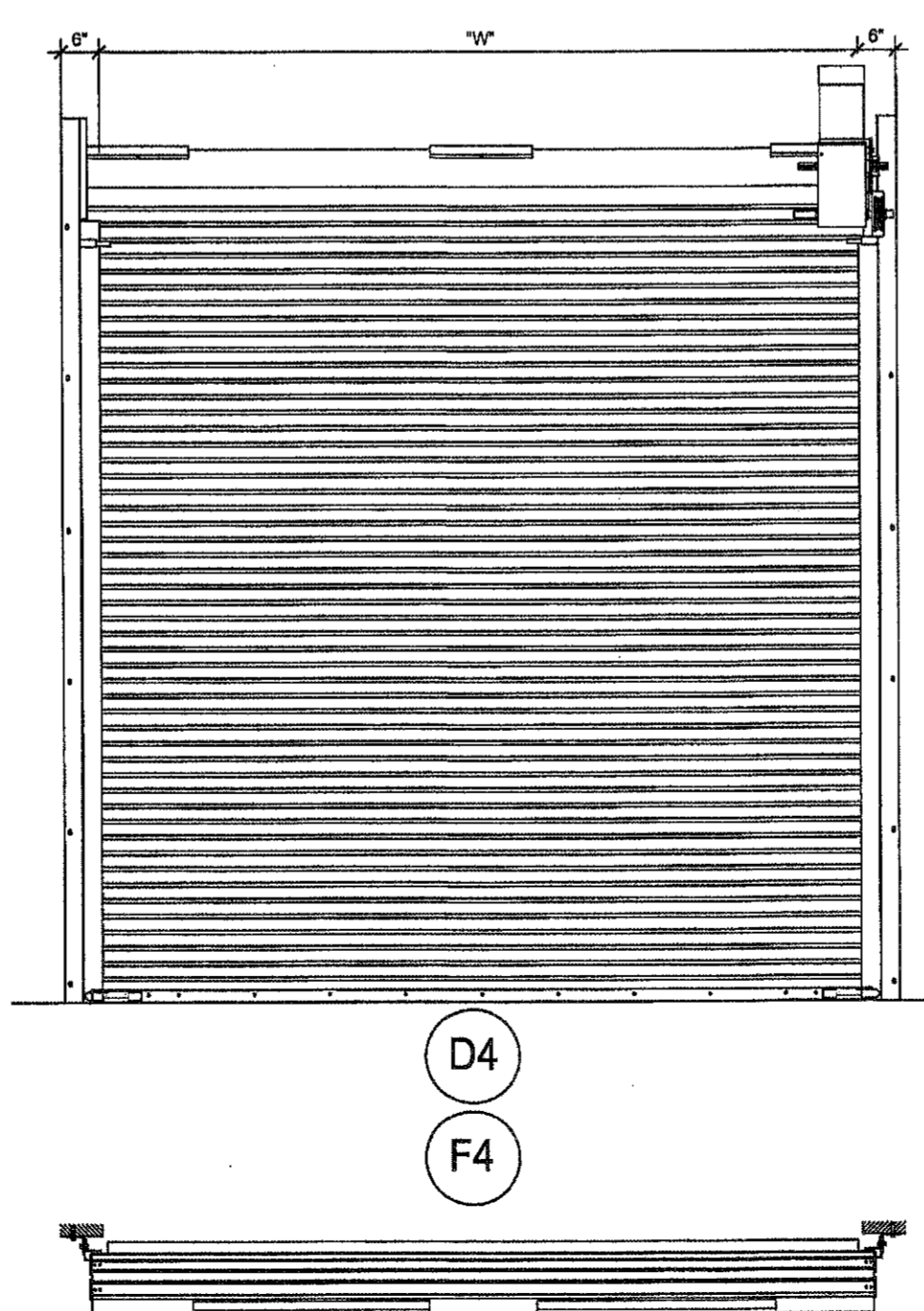
1 SIGNAGE TYPE A7-801



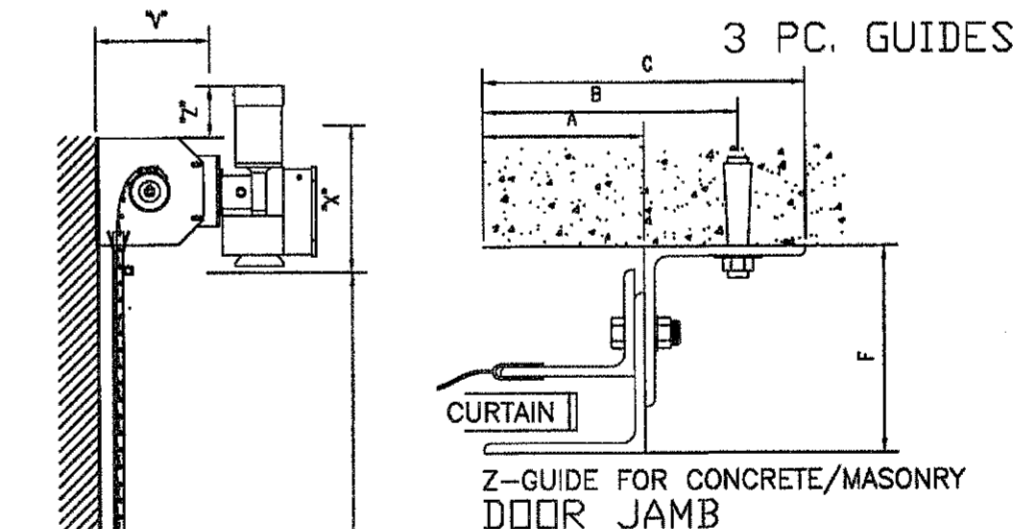
DOOR TYPE ELEVATIONS



DOOR FRAME TYPE



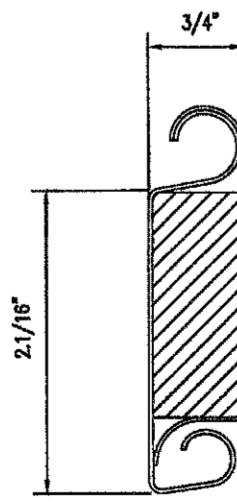
INSULATED ALUMINUM DOOR / GH MOTOR



GUIDE TYPE	A"	B"	C"	D"	E"	F"
2	2 5/8	3 7/16	5 1/4	1	2 13/16	3 15/16
4	2 5/8	4 3/8	5 5/8	1 1/2	2 7/8	4 3/4

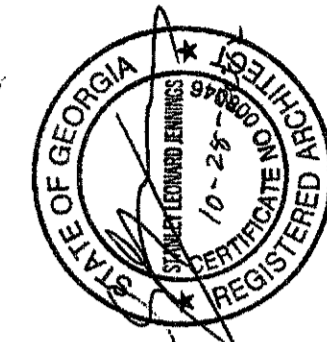
GENERAL NOTES

- * OPERATION: RIGHT HAND SHOWN, LEFT HAND OPPOSITE
- FOR MALLEABLE ENDLOCKS ADD 3/8" TO A, B, C, D & E



21/24 GAGE

TOP MOTOR CLEARANCE			
HP	14"	16"	22"
Z	9"	8"	5"



PEACHTREE CREEK SOUTH FORK
RELIEF STORAGE AND PUMPING STATION

CITY OF ATLANTA
DEPARTMENT OF WATERSHED MANAGEMENT

REV	DATE	REVISION DESCRIPTION

THIS LINE IS ONE INCH LONG WHEN PLOTTED FULL SCALE

THIS DRAWING MUST BE USED IN CONJUNCTION WITH THE APPLICABLE OR GOVERNING TECHNICAL SPECIFICATIONS AND OTHER CONTRACT DOCUMENTS.

PROJECT NO: FC-6260
DATE: OCTOBER 2012

RESP PROF: SJ DESIGNER: LC CHECKER: LC

SHEET TITLE
ARCHITECTURAL
07 - JET MIX PUMP STATION
SCHEDULES AND DETAILS

SHEET NO. A7-801 REV. 0