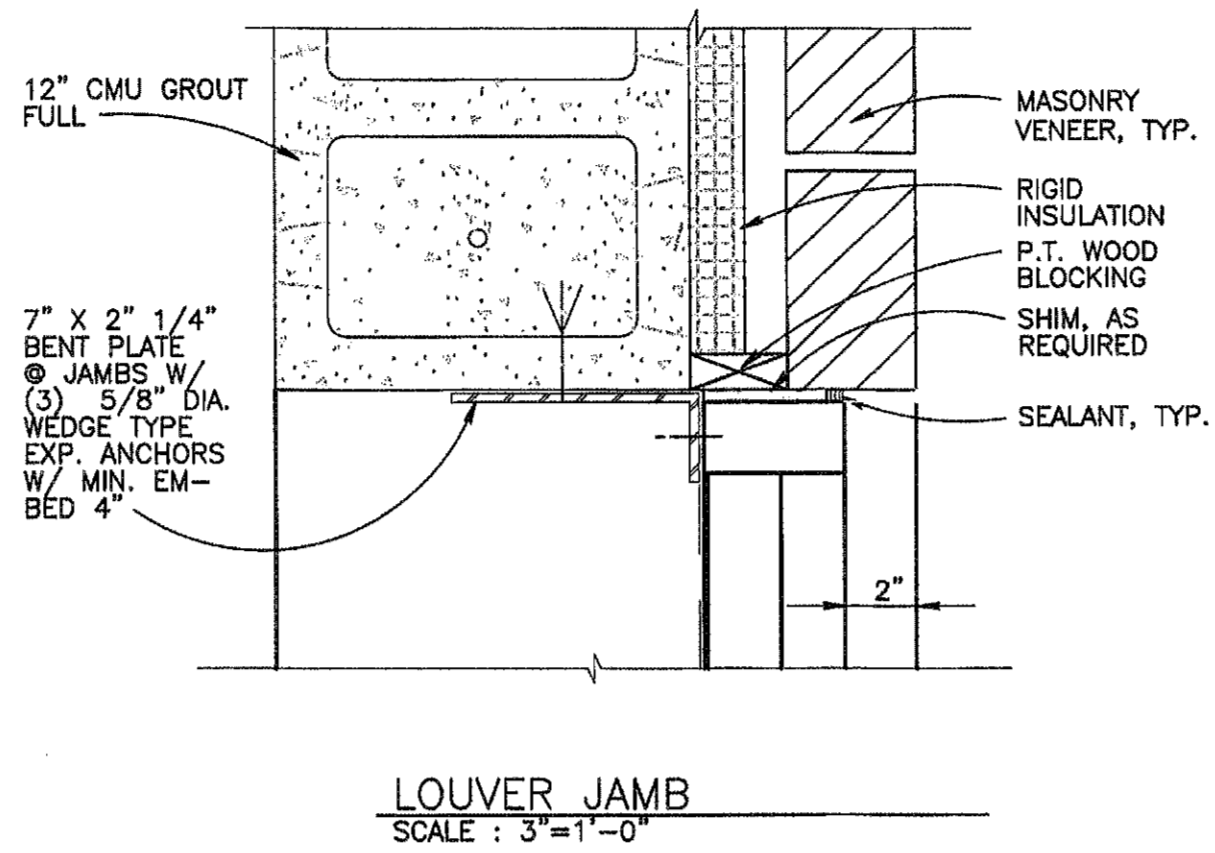
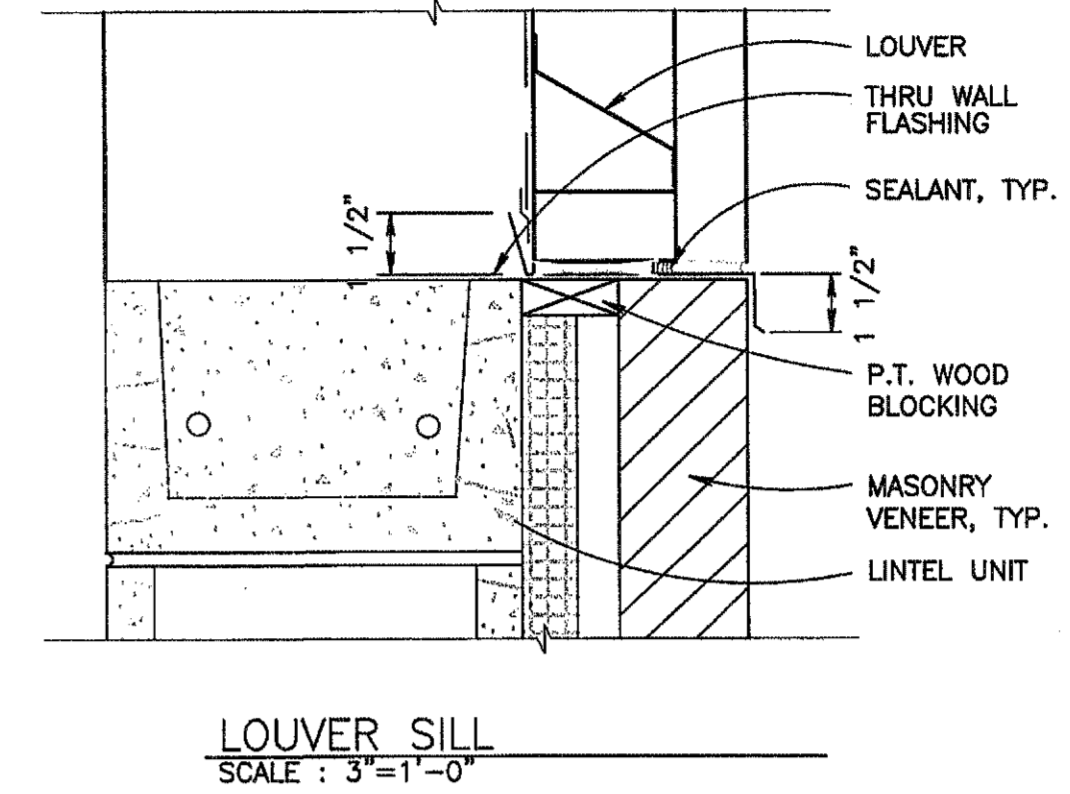


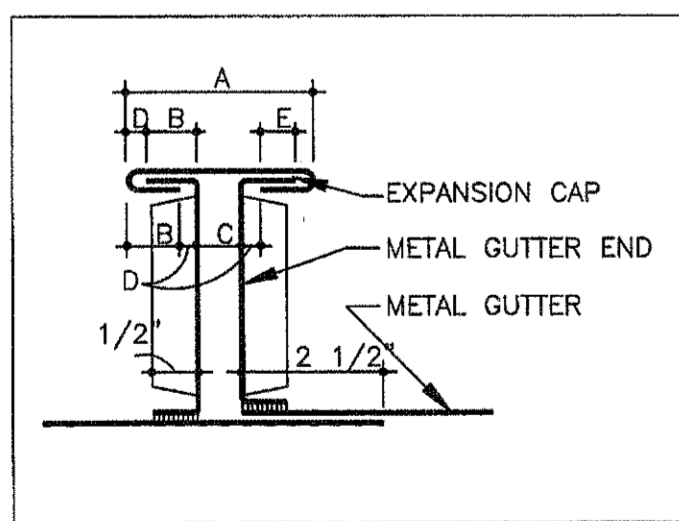
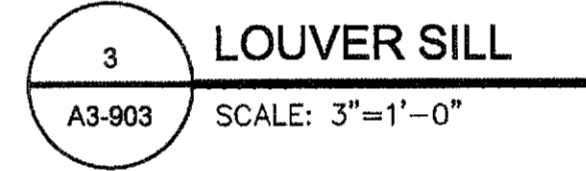
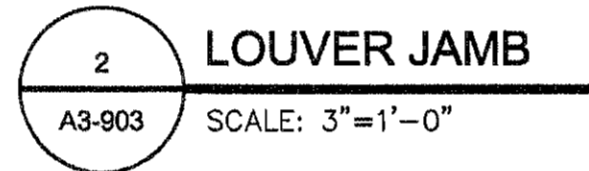
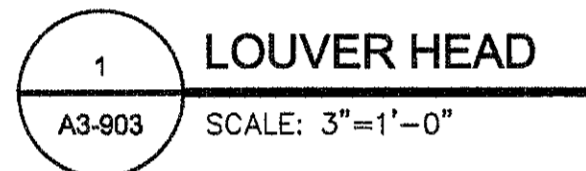
LOUVER HEAD
SCALE : 3"=1'-0"



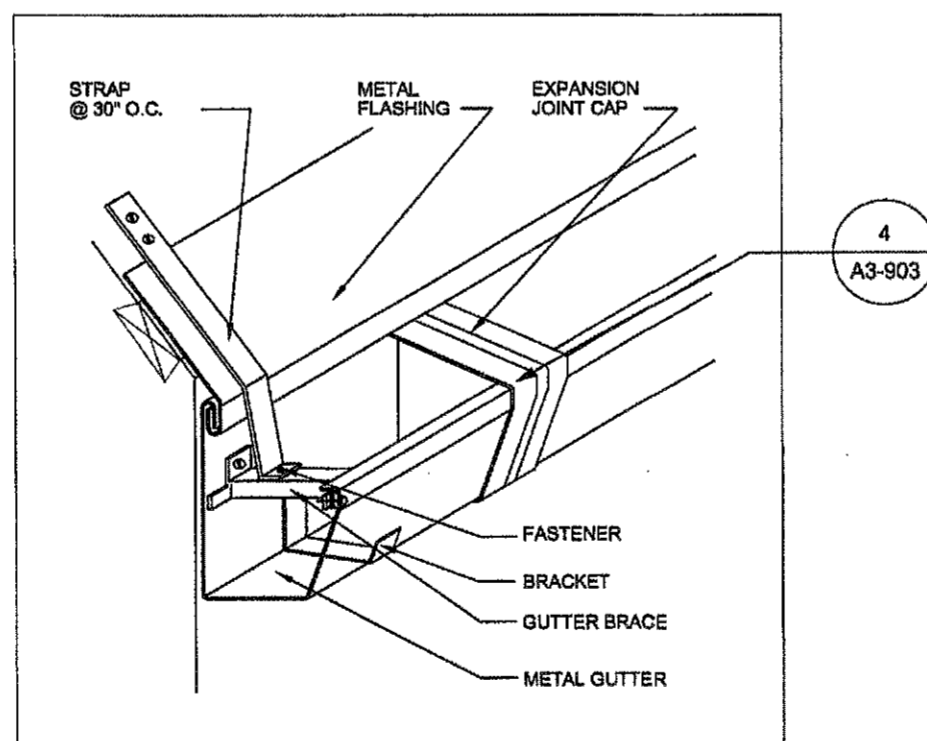
LOUVER JAMB
SCALE : 3"=1'-0"



LOUVER SILL
SCALE : 3"=1'-0"



4 LAP TYPE EXPANSION JOINT
SCALE: 3"=1'-0"
A3-903



5 STRAP HUNG GUTTER
SCALE: 1 1/2" = 1'-0" XREF
A3-903

J. W. ROBINSON & ASSOCIATES
ARCHITECTS • INTERIOR DESIGNERS • URBAN PLANNERS
1020 RALPH DAVID ABERNATHY BLVD., S.W., ATLANTA, GEORGIA 30310
PHONE: (404) 753-4129 FAX: (404) 753-4436

hastacorp

STATE OF GEORGIA
REGISTERED PROFESSIONAL ARCHITECT
CITY OF ATLANTA
DEPARTMENT of WATERSHED MANAGEMENT

PEACHTREE CREEK SOUTH FORK
RELIEF STORAGE AND PUMPING STATION

REV	DATE	REVISION DESCRIPTION

THIS LINE IS ONE INCH LONG WHEN PLOTTED FULL SCALE

THIS DRAWING MUST BE USED IN CONJUNCTION WITH THE APPLICABLE OR GOVERNING TECHNICAL SPECIFICATIONS AND OTHER CONTRACT DOCUMENTS.

PROJECT NO: FC-6260
DATE: OCTOBER 2012

RESP PROF: SJ	DESIGNER: CDB	CHECKER: JWR
---------------	---------------	--------------

SHEET TITLE
ARCHITECTURAL
03 - DIVERSION FACILITY PUMP STATION
DETAILS

SHEET NO. A3-903	REV. 0
------------------	--------