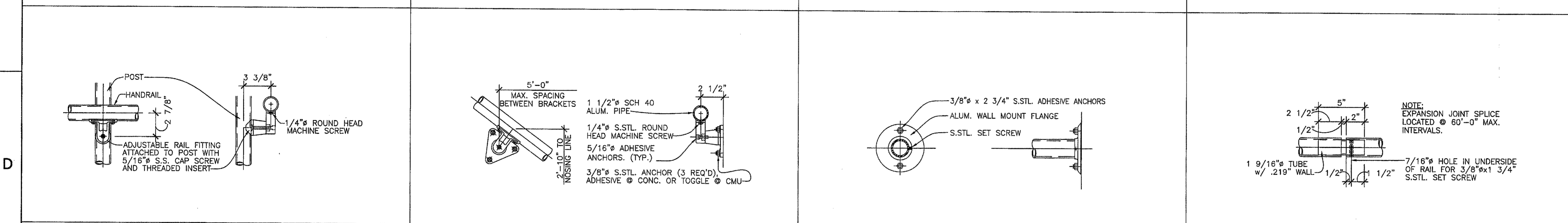


4 TYP. HANDRAIL BASE FLANGE AT LANDING CHANNEL N.T.S.

3 TYP. HANDRAIL BASE FLANGE AT CONC. FLR. OR CURB N.T.S.

2 TYPICAL CORNER RETURNS N.T.S.

1 TYPICAL TEE FITTINGS N.T.S.

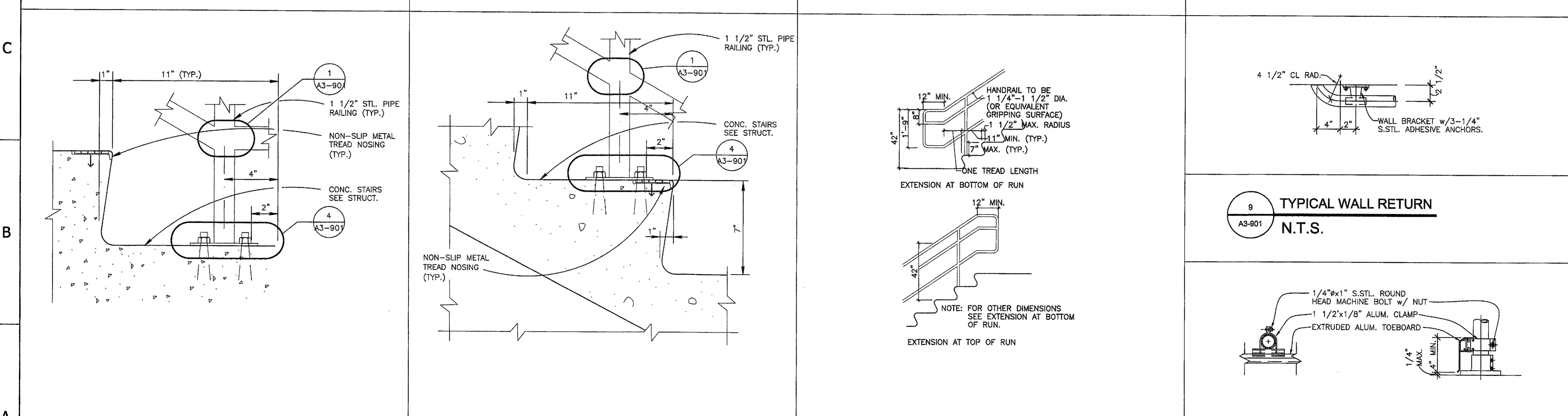


5 TYPICAL POST RAIL SUPPORT N.T.S.

6 TYPICAL WALL RAIL SUPPORT N.T.S.

7 TYPICAL WALL FLANGE N.T.S.

8 TYPICAL EXPANSION JOINT SPLICE N.T.S.



9 TYPICAL WALL RETURN N.T.S.

13 BOTTOM STAIR DETAIL SCALE: 3"=1'-0"

12 INTERMEDIATE STAIR DETAIL SCALE: 3"=1'-0"

11 HANDRAIL @ STAIRS N.T.S.

10 TYPICAL TOEBOARD N.T.S.

**hatchford**

STATE OF GEORGIA  
 PROFESSIONAL ENGINEERS  
 LICENSE NO. 10,252  
 REGISTERED

PEACHTREE CREEK SOUTH FORK  
 RELIEF STORAGE AND PUMPING STATION

CITY OF ATLANTA

DEPARTMENT OF WATERSHED MANAGEMENT

REV	DATE	REVISION DESCRIPTION

THIS LINE IS ONE INCH LONG WHEN PLOTTED FULL SCALE.

THIS DRAWING MUST BE USED IN CONJUNCTION WITH THE APPLICABLE OR GOVERNING TECHNICAL SPECIFICATIONS AND OTHER CONTRACT DOCUMENTS.

PROJECT NO: FC-6250

DATE: OCTOBER 2012

RESP PROF: SJ    DESIGNER: CDB    CHECKER: JWR

SHEET TITLE  
 ARCHITECTURAL  
 03 - DIVERSION FACILITY PUMP STATION  
 DETAILS

J. W. ROBINSON & ASSOCIATES  
 ARCHITECTS • INTERIOR DESIGNERS • URBAN PLANNERS  
 1020 RALPH DAVID ABERNATHY BLVD., S.W., ATLANTA, GEORGIA 30310  
 PHONE: (404) 763-4129 FAX: (404) 763-4435

SHEET NO. A3-901    REV. 0