

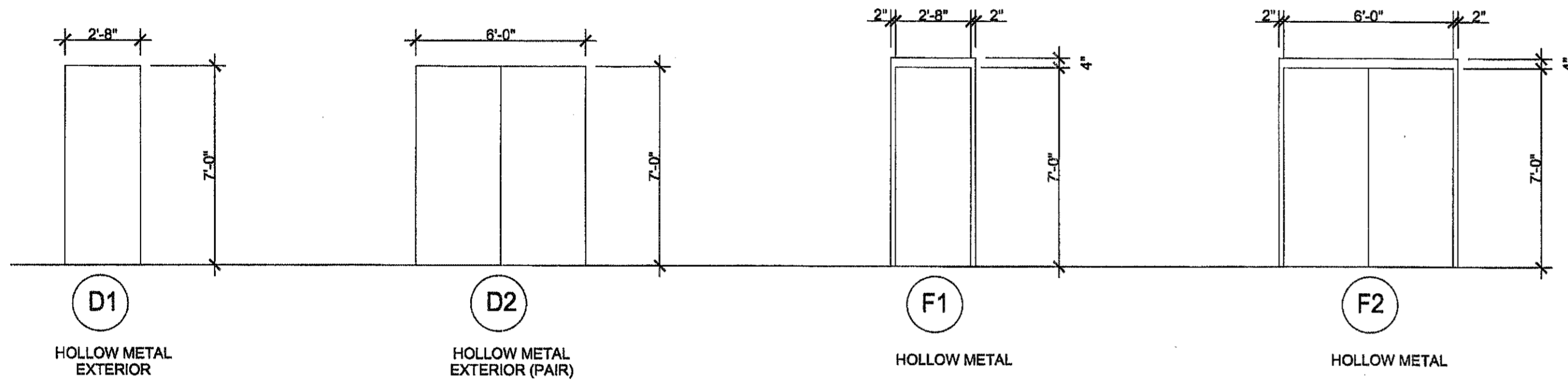
DOOR SCHEDULE															
DOOR NO.	DOOR TYPE	DIMENSIONS			DOOR		FRAME		DOOR DETAILS			RATING/LABEL	REMARKS	NO.	
		WIDTH	HEIGHT	THICK.	MAT.	FIN.	TYPE	MAT.	FIN.	HEAD	JAMB				SILL
100	D1	3'-0"	7'-0"	1 1/2"	HM	HM	F1	HM	PNT	DH1/A3-802	DJ1/A3-802	DS1/A3-802		PROVIDE CLOSER	100
101	D2	6'-0"	7'-0"	1 1/2"	HM	HM	F2	HM	PNT	DH1/A3-802	DJ1/A3-802	DS1/A3-802		PROVIDE CLOSER	101
102	D1	3'-0"	7'-0"	1 1/2"	HM	HM	F1	HM	PNT	DH1/A3-802	DJ1/A3-802	DS1/A3-802			102
103	D1	3'-0"	7'-0"	1 1/2"	HM	HM	F1	HM	PNT	DH1/A3-802	DJ1/A3-802	DS2/A3-802			103

LEGEND			
FACTORY FINISH	MAT	MATERIAL	STN
HOLLOW METAL	PNT	PAINTED	FRP
	PR	PAIR	FG
	SC	SOLID CORE WOOD	

WINDOW SCHEDULE								
WINDOW NO.	WINDOW		TYPE	MATL	FRAME			REMARKS
	SIZE				DETAIL			
	W	H	H	J	S			
A	8'-0"	1'-4"	1	GLASS BLOCK	WH1/A3-802	WJ1/A3-802	WS1/A3-802	
B	13'-4"	1'-4"	1	GLASS BLOCK	WH1/A3-802	WJ1/A3-802	WS1/A3-802	
C	13'-4"	2'-8"	2	GLASS BLOCK	WH1/A3-802	WJ1/A3-802	WS1/A3-802	

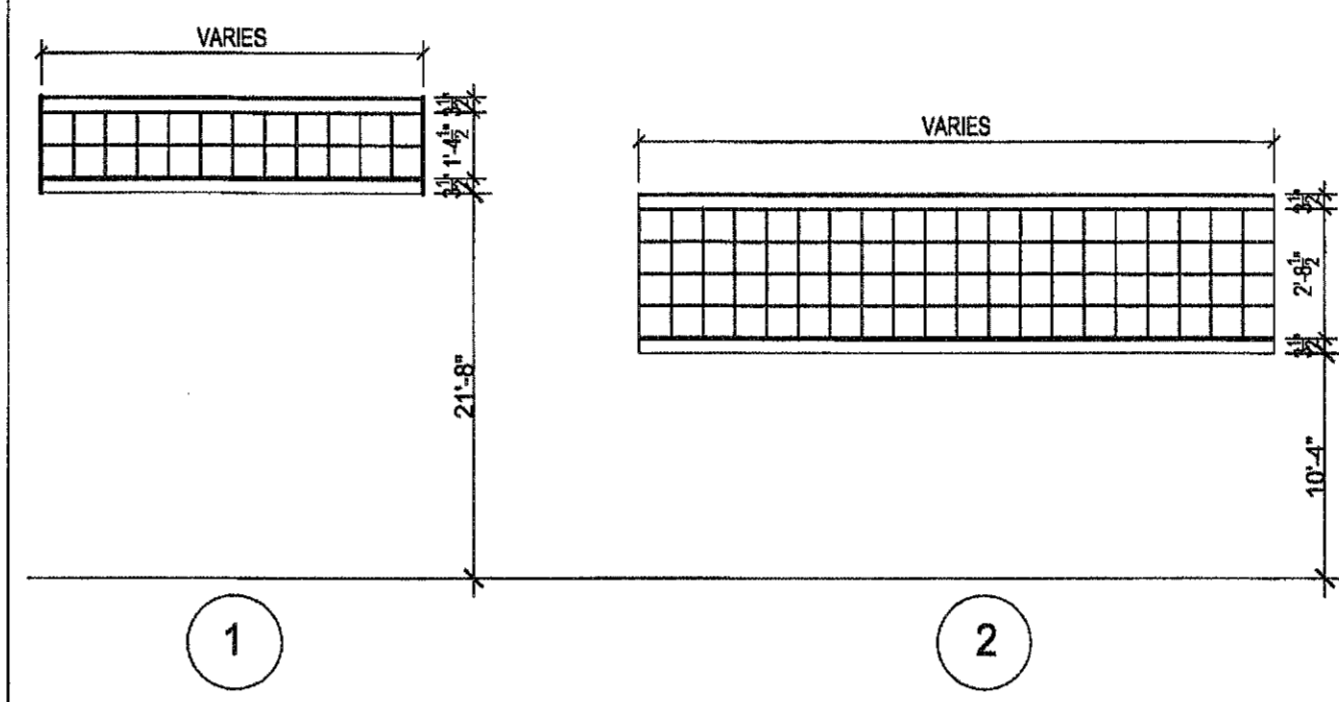
F

E



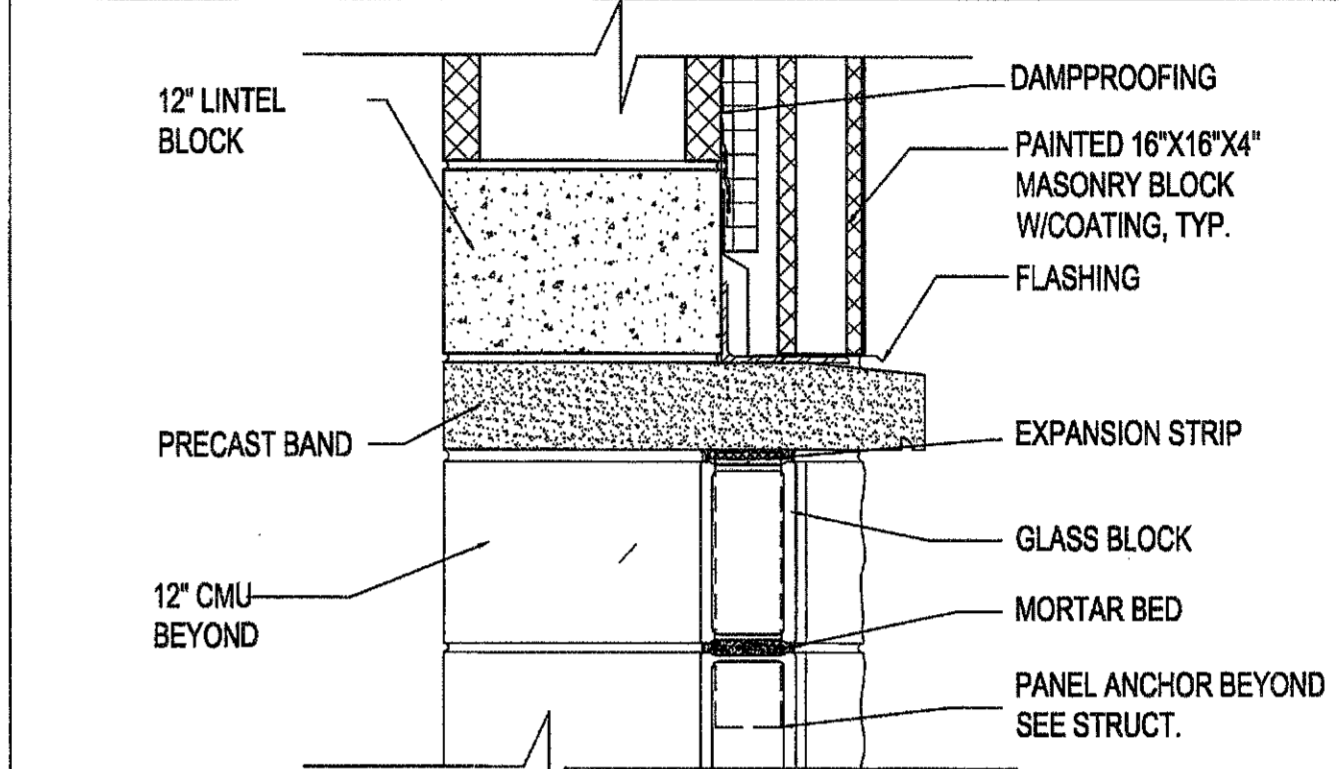
DOOR TYPE ELEVATIONS

DOOR FRAME TYPE



1

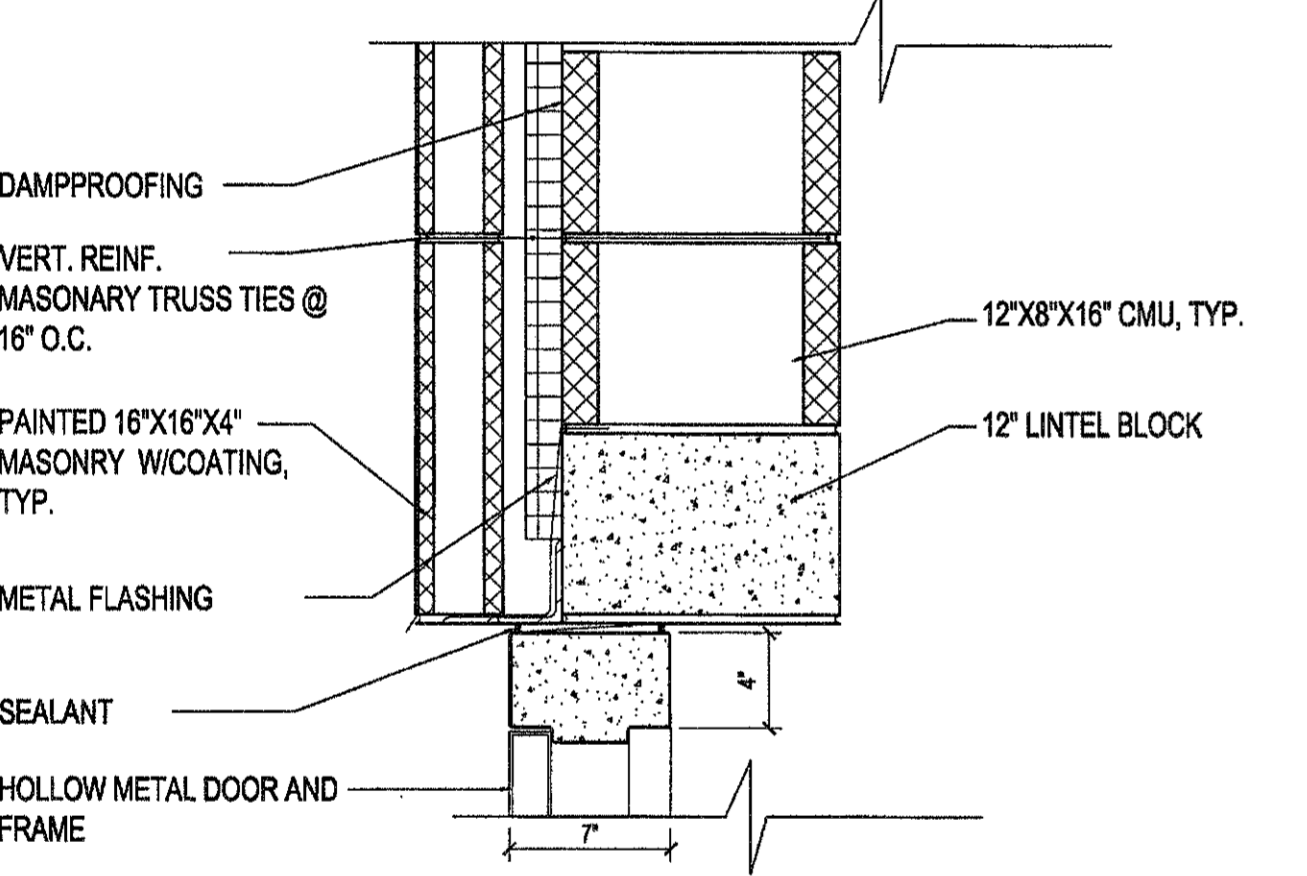
2



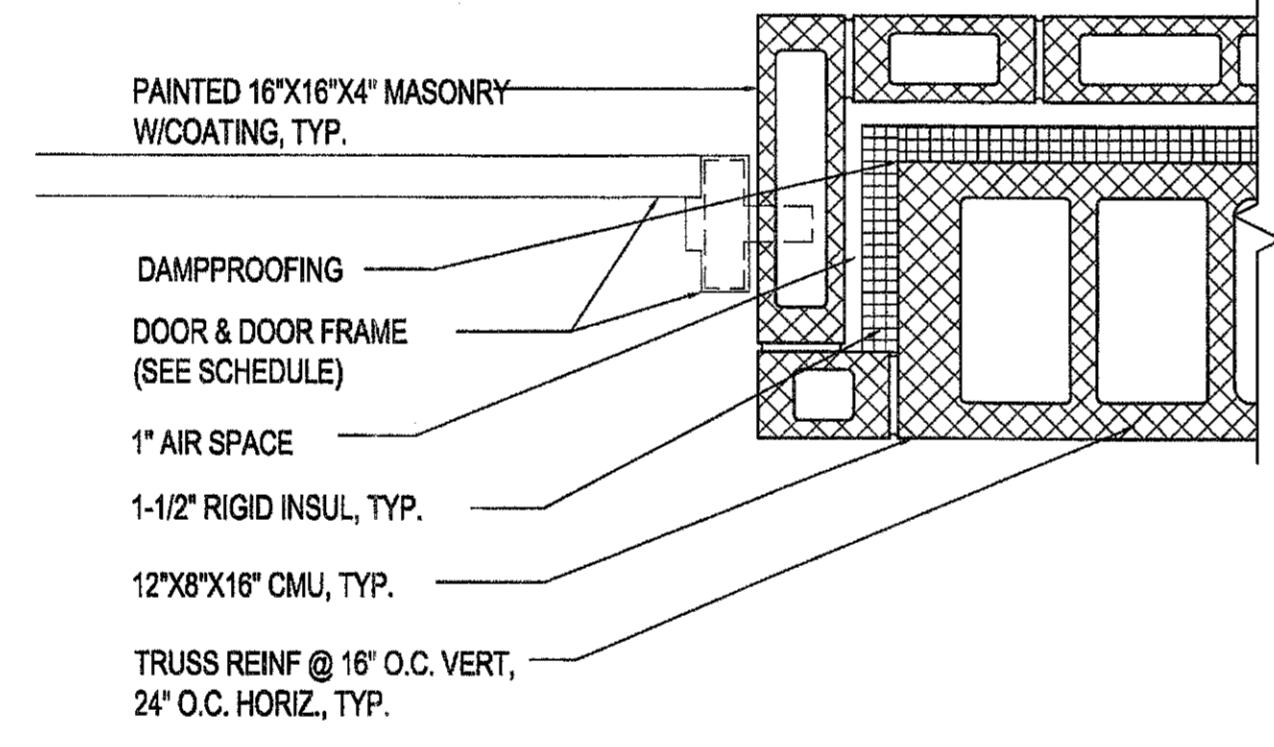
WH1 WINDOW HEAD
A3-802 SCALE: 1 1/2" = 1'-0" XREF

D

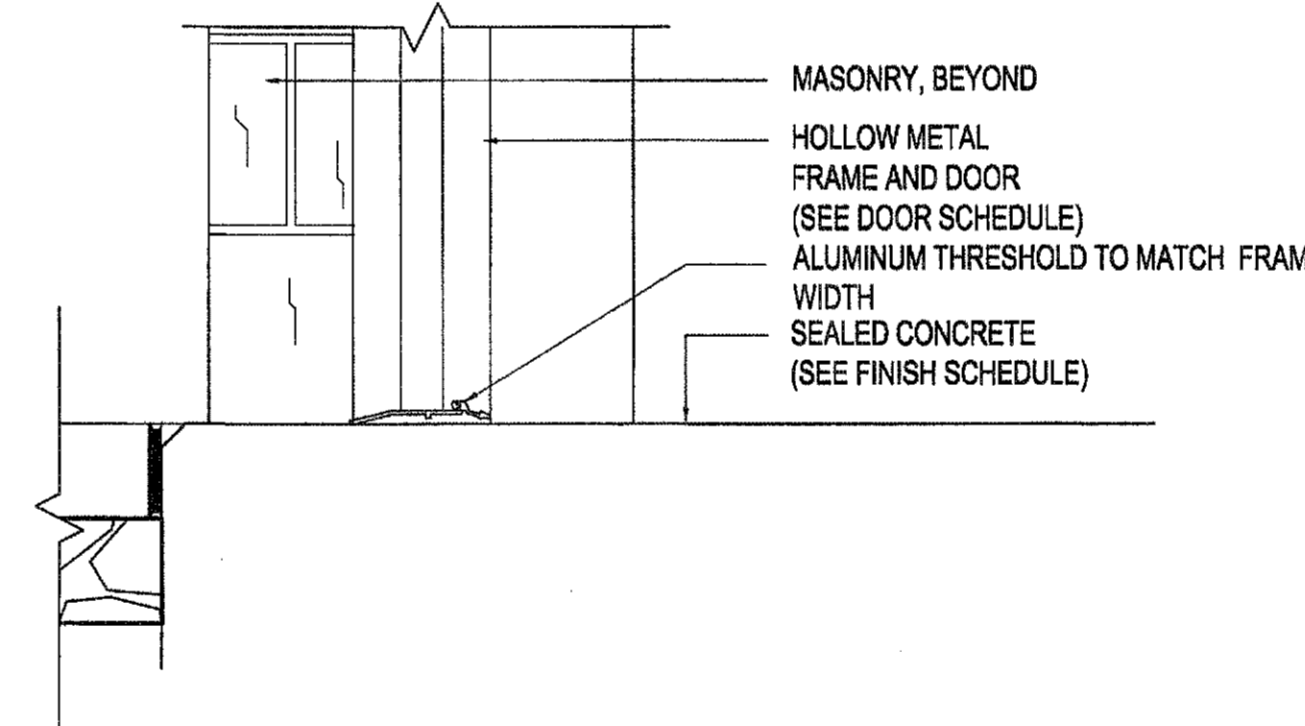
C



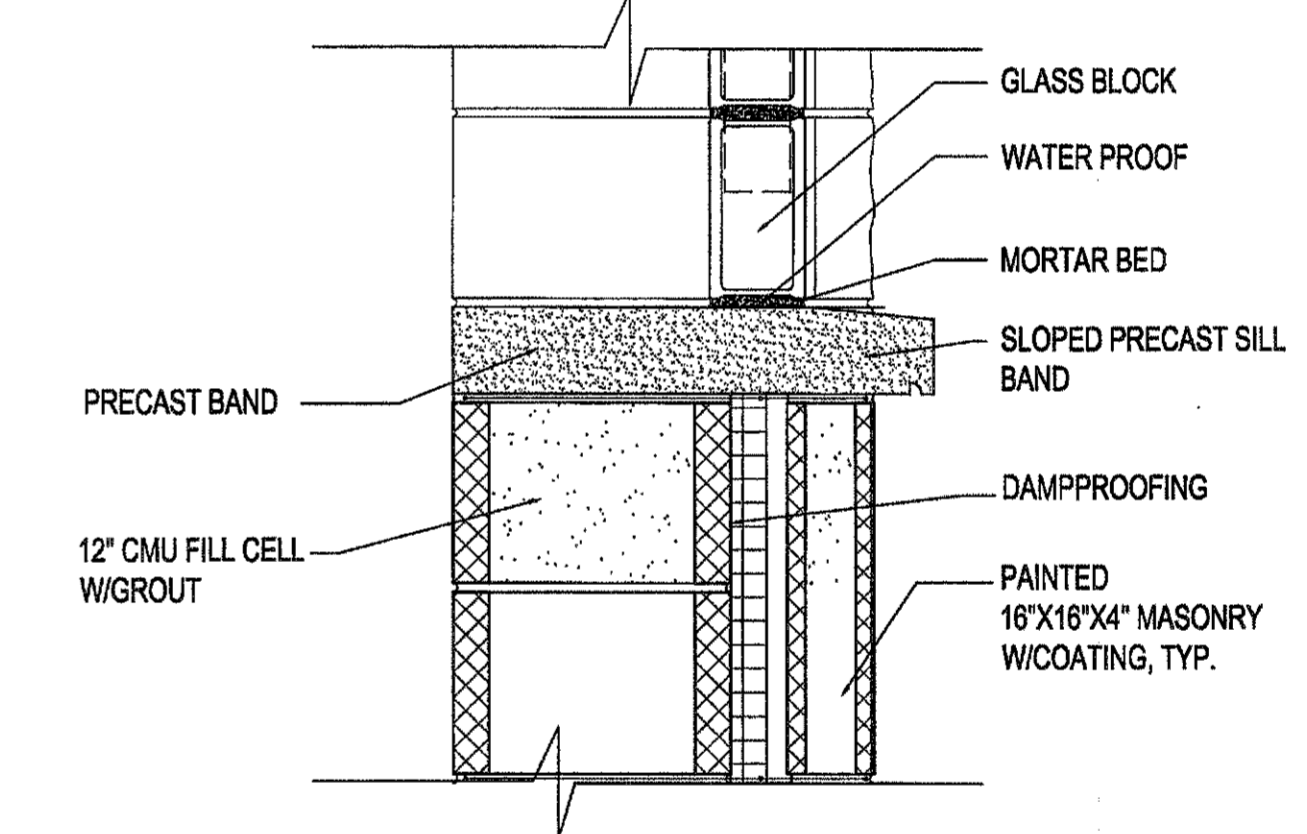
DH1 DOOR HEAD 1
A3-802 SCALE: 1 1/2" = 1'-0" XREF



DJ1 DOOR JAMB
A3-802 SCALE: 1 1/2" = 1'-0" XREF



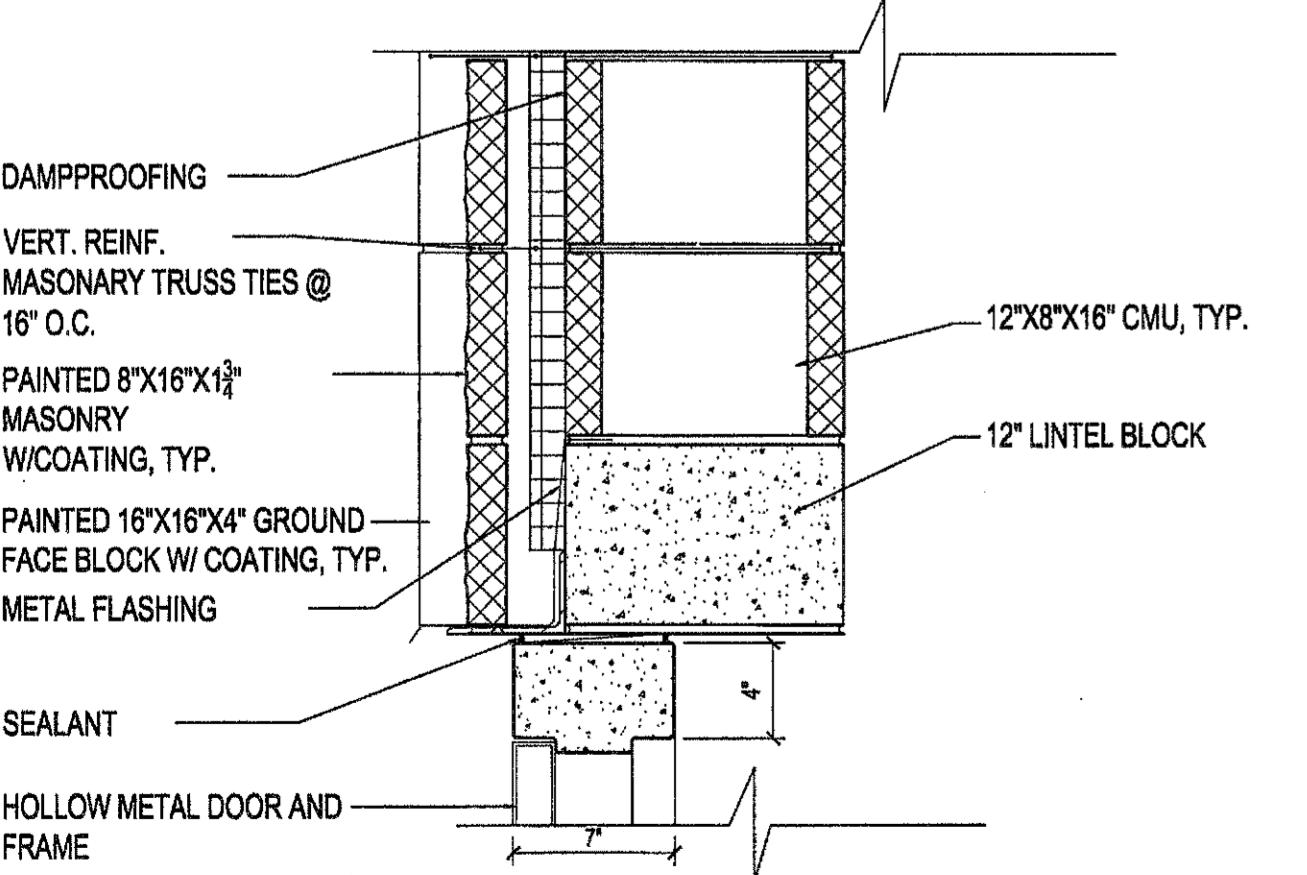
DS1 DOOR SILL 1
A3-802 SCALE: 1 1/2" = 1'-0" XREF



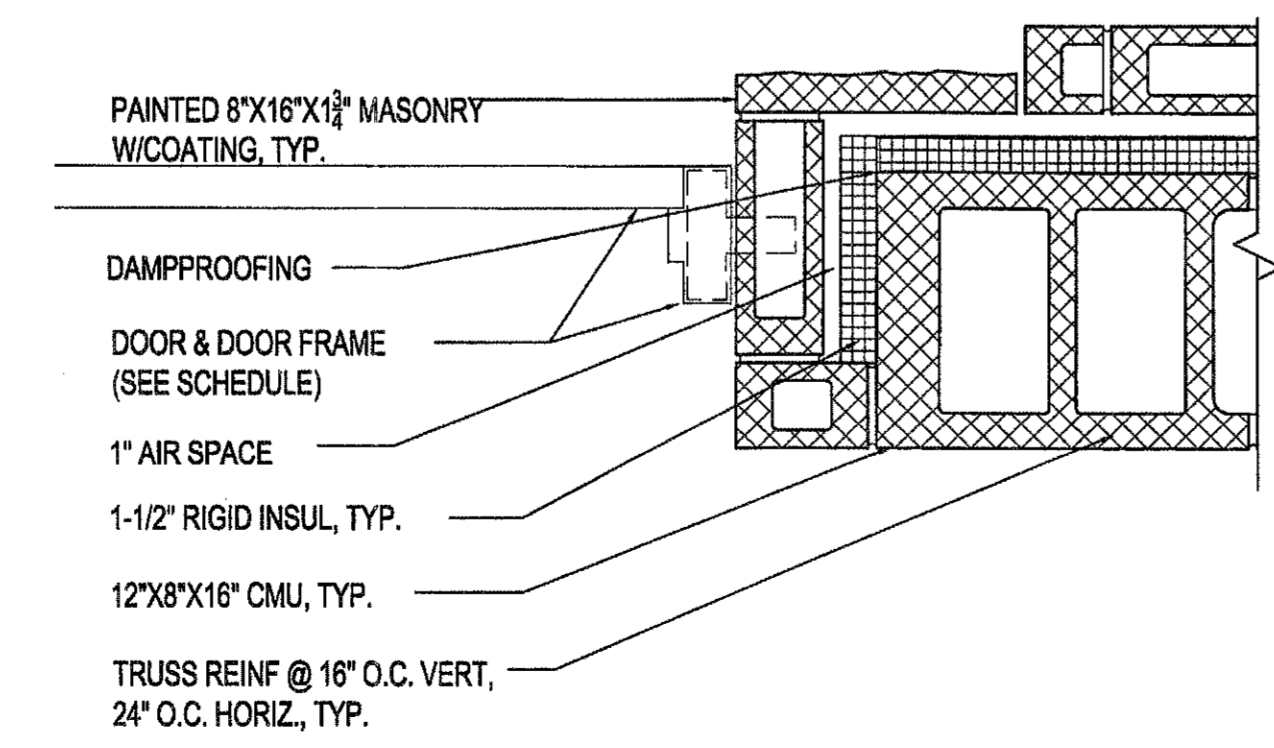
WJ1 WINDOW JAMB
A3-802 SCALE: 1 1/2" = 1'-0" XREF

B

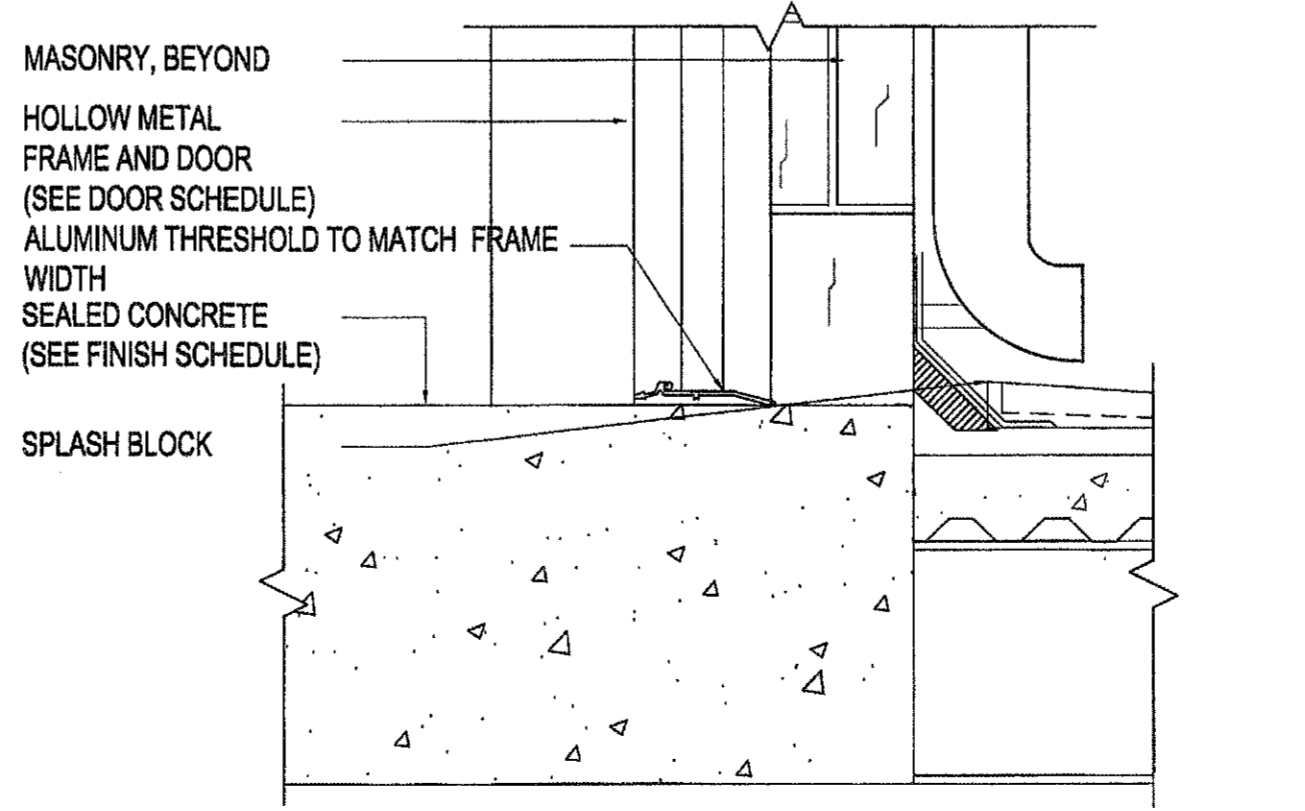
A



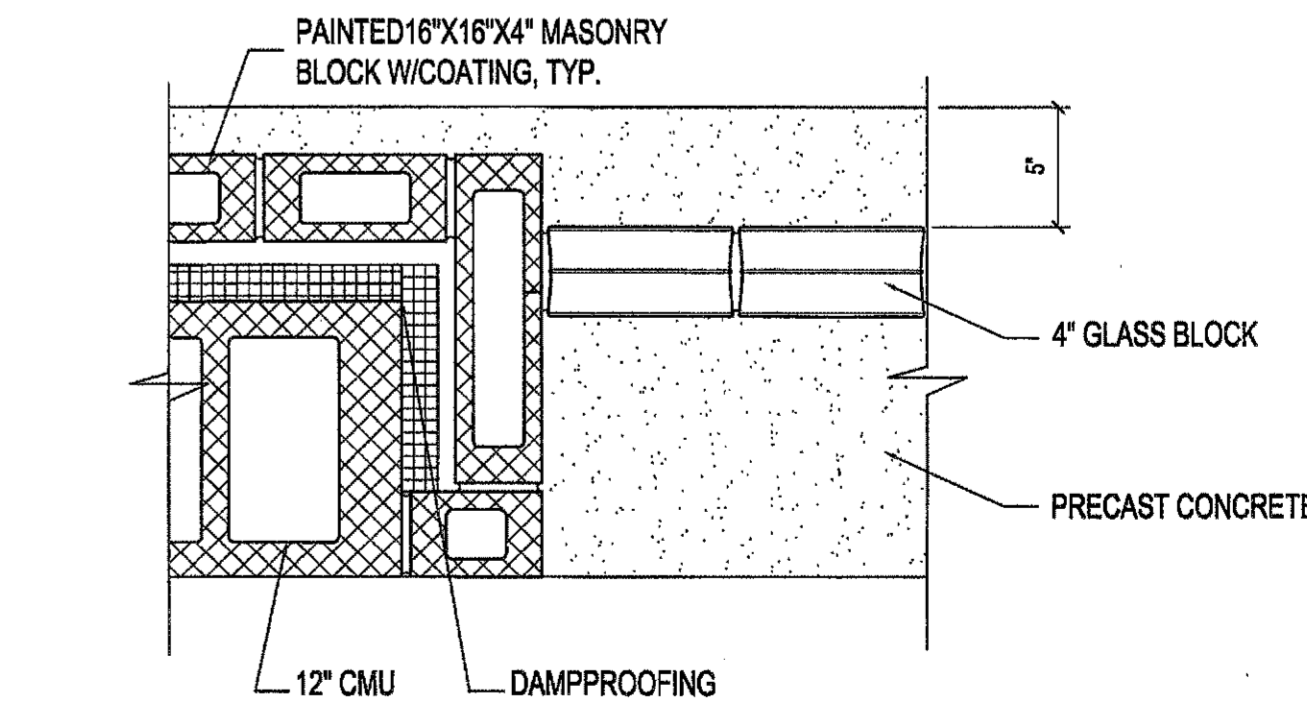
DH2 DOOR HEAD 2
A3-802 SCALE: 1 1/2" = 1'-0" XREF



DJ2 DOOR JAMB 1
A3-802 SCALE: 1 1/2" = 1'-0" XREF



DS2 DOOR SILL 2
A3-802 SCALE: 1 1/2" = 1'-0" XREF



WS1 WINDOW SILL
A3-802 SCALE: 1 1/2" = 1'-0" XREF



PEACHTREE CREEK SOUTH FORK
RELIEF STORAGE AND PUMPING STATION
CITY OF ATLANTA
DEPARTMENT OF WATERSHED MANAGEMENT

REV	DATE	REVISION DESCRIPTION

THIS LINE IS ONE INCH LONG WHEN PLOTTED FULL SCALE
THIS DRAWING MUST BE USED IN CONJUNCTION WITH THE APPLICABLE OR GOVERNING TECHNICAL SPECIFICATIONS AND OTHER CONTRACT DOCUMENTS.
PROJECT NO: FC-6260
DATE: OCTOBER 2012
RESP PROF: S.J. DESIGNER: CDB CHECKER: JWR
SHEET TITLE
ARCHITECTURAL
03 - DIVERSION FACILITY PUMP STATION
SCHEDULES AND DETAILS
SHEET NO. A3-802 REV. 0

J.W. ROBINSON & ASSOCIATES
ARCHITECTS • INTERIOR DESIGNERS • URBAN PLANNERS
1020 RALPH DAVID ABERNATHY BLVD., S.W., ATLANTA, GEORGIA 30310
PHONE: (404) 753-4129 FAX: (404) 753-4135