

F

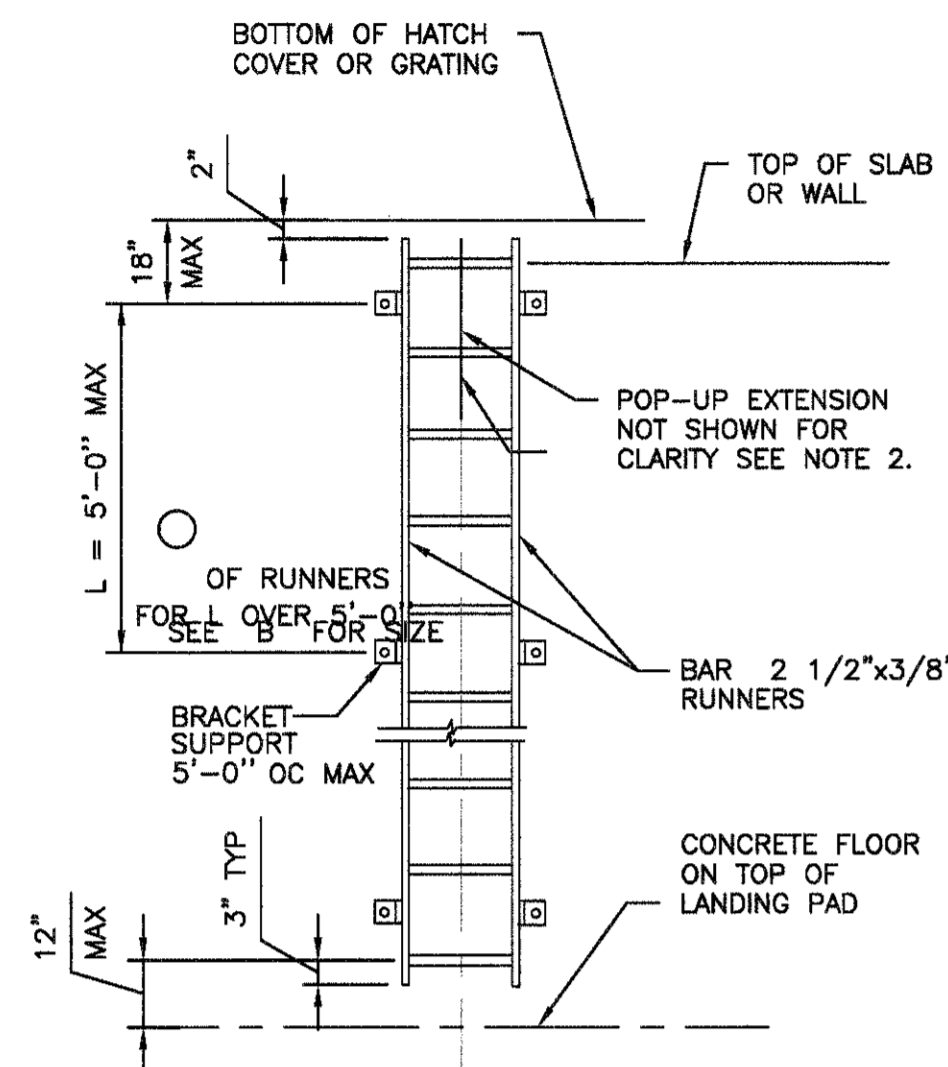
E

D

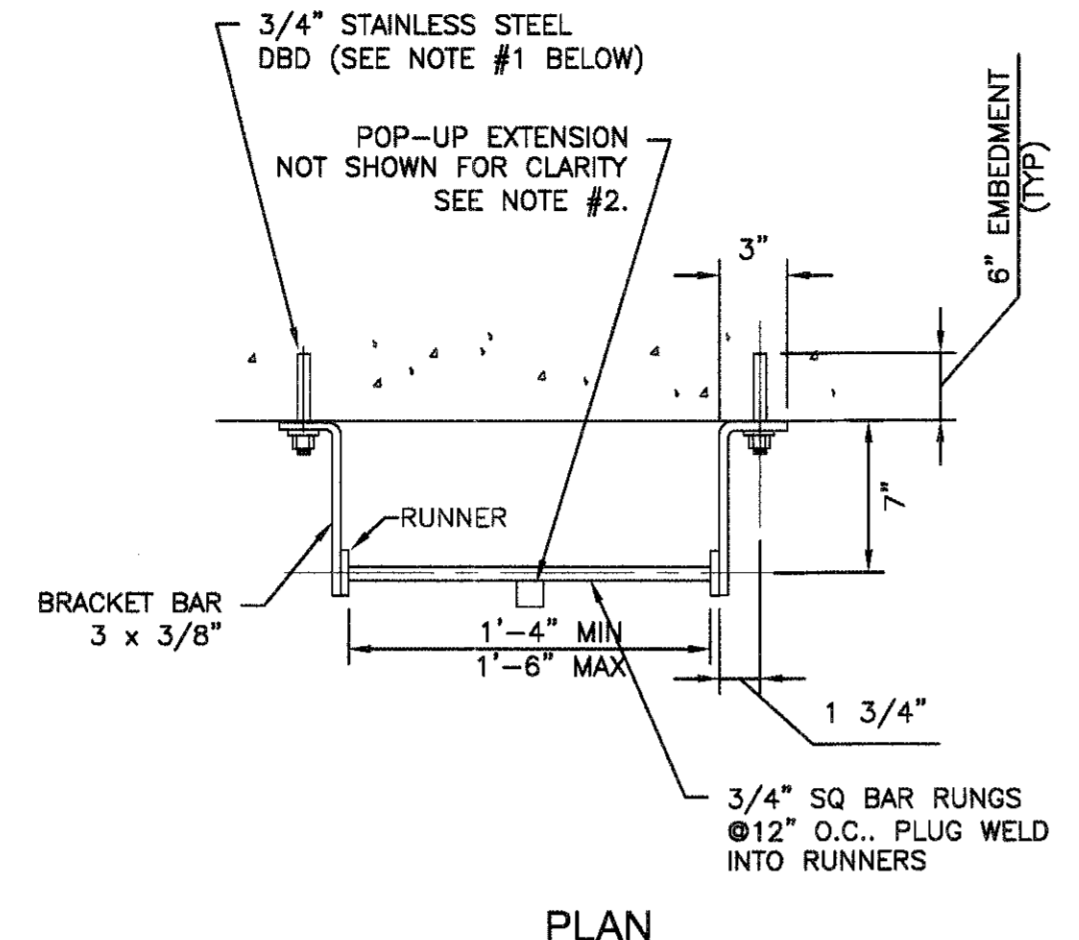
C

B

A



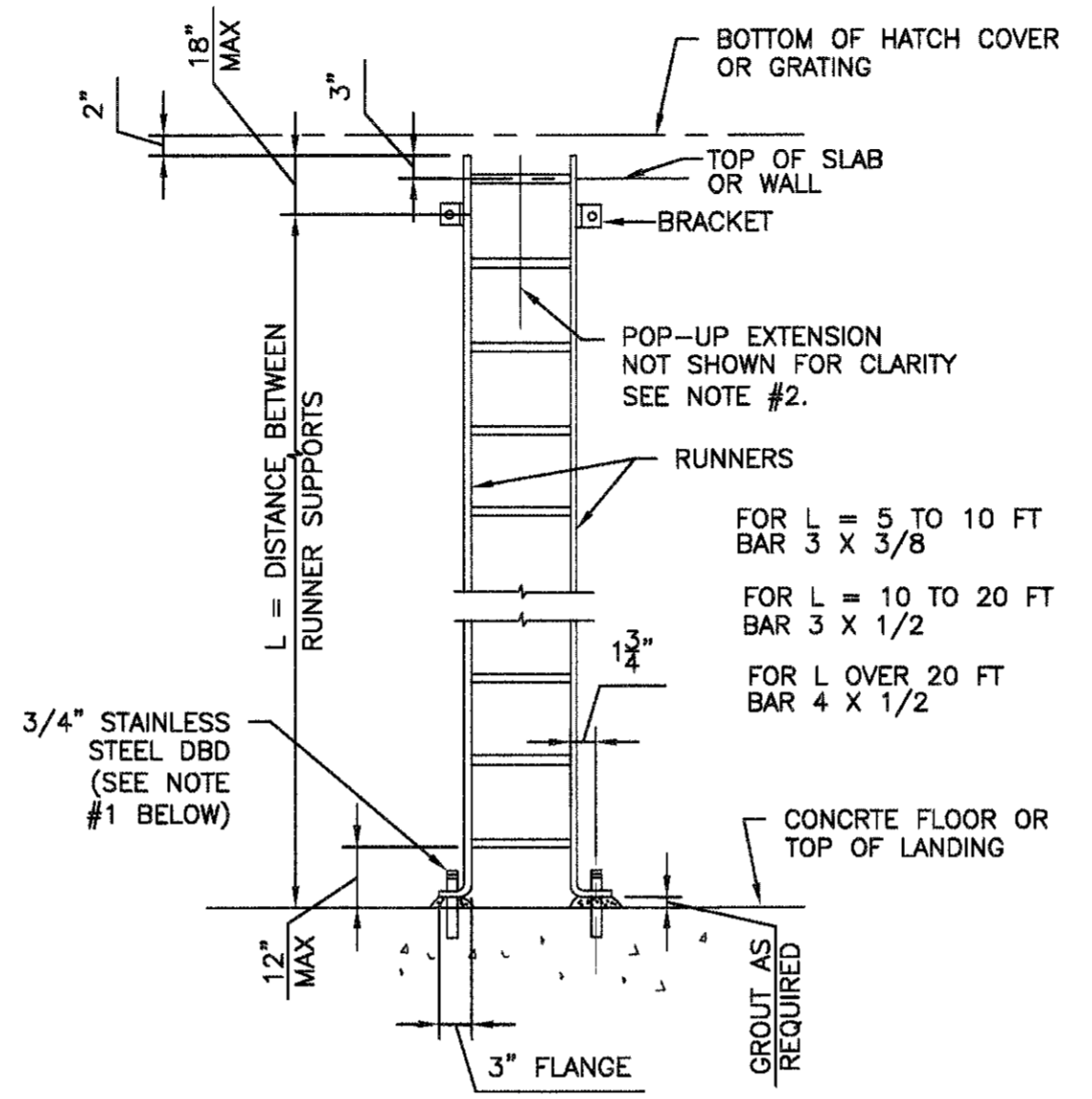
**1** STANDARD LADDER WITH RUNNER SUPPORT AT 5'-0" O.C. MAXIMUM  
SD-511



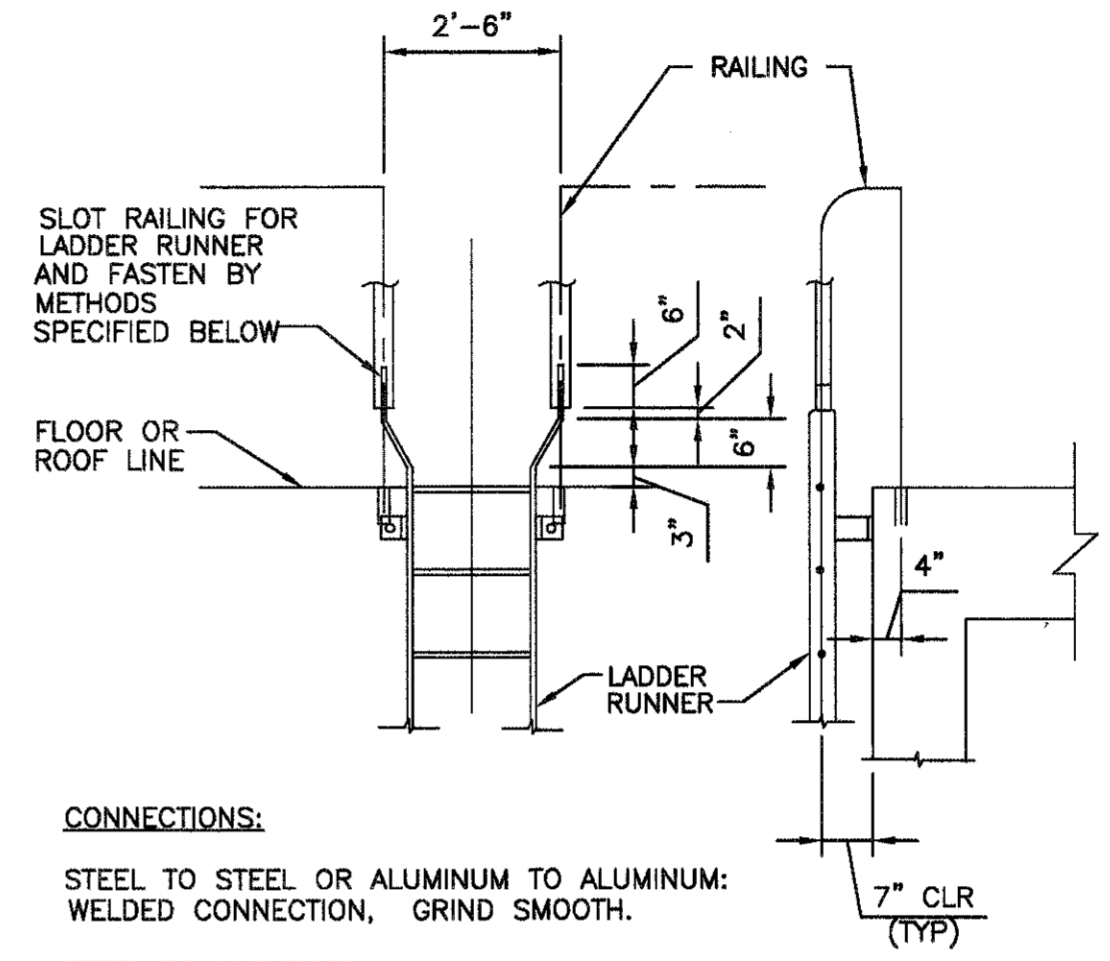
**2** ALUMINUM LADDER  
SD-511

**2** GALVANIZED STEEL LADDER  
SD-511

- NOTES**
- ADHESIVE ANCHOR SHALL BE HILTI HIT-RE 500-SD OR APPROVED EQUAL WITH MIN. EMBEDMENT OF 6".
  - ATTACH LADDER POP-UP EXTENSION (AS REQUIRED) IN ACCORDANCE WITH MANUFACTURER'S APPROVED SHOP DRAWINGS.

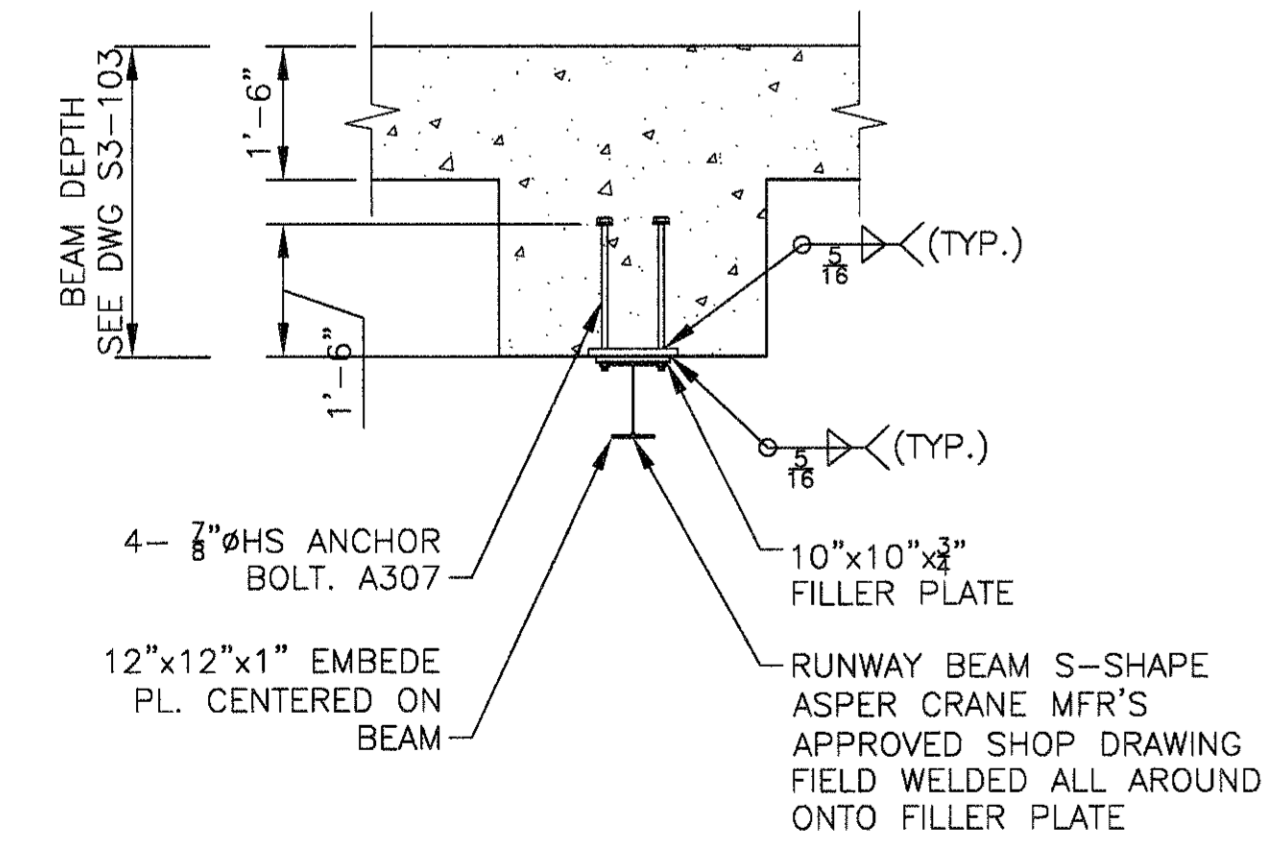


**B** LADDER WITH RUNNER SUPPORTS OVER 5'-0" O.C.  
SD-511

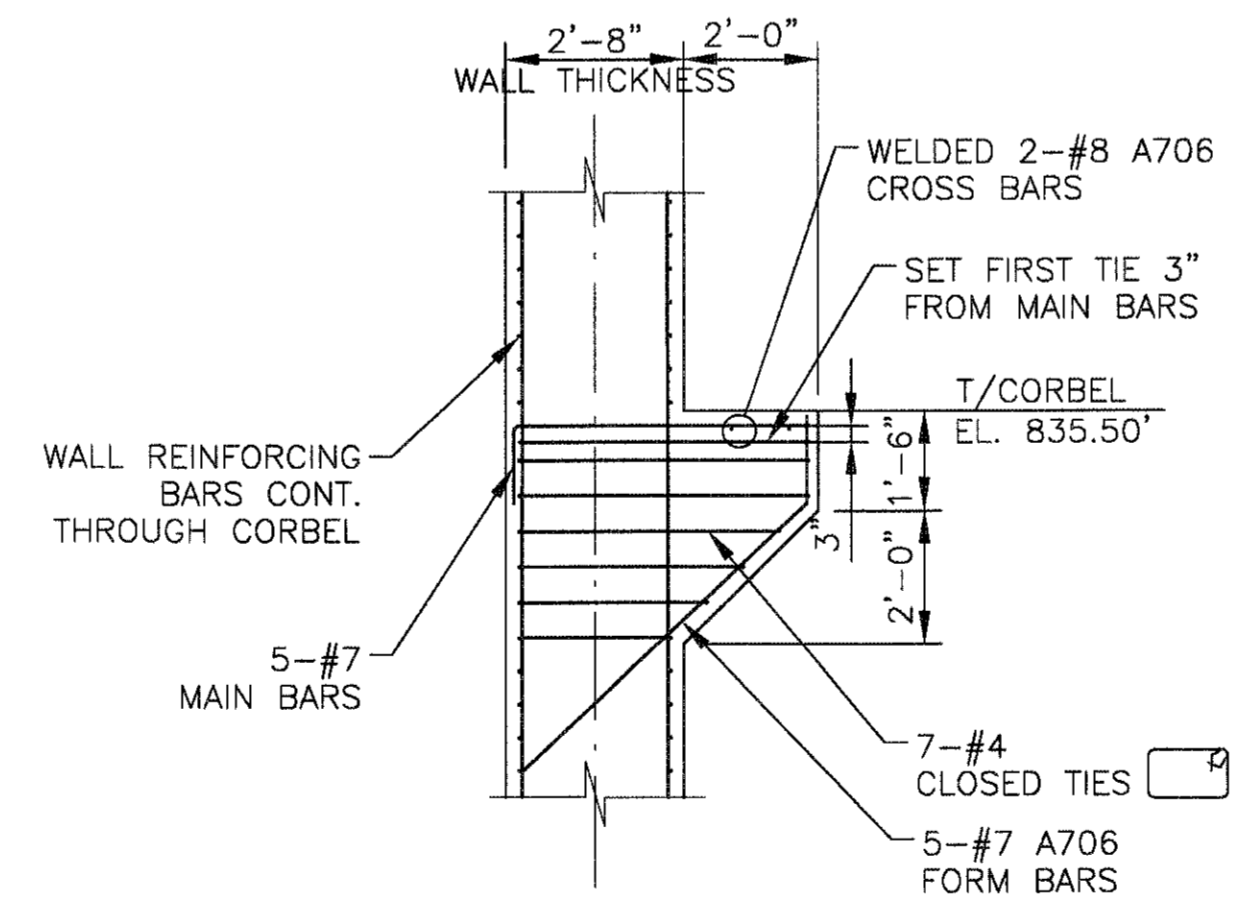
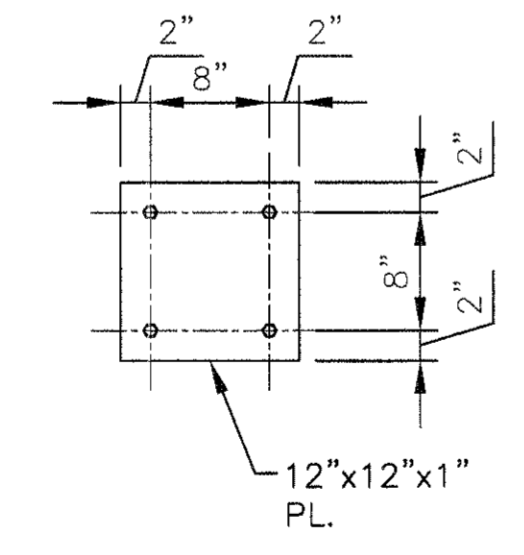


**3** LADDER TO RAILING CONNECTIONS  
SD-511

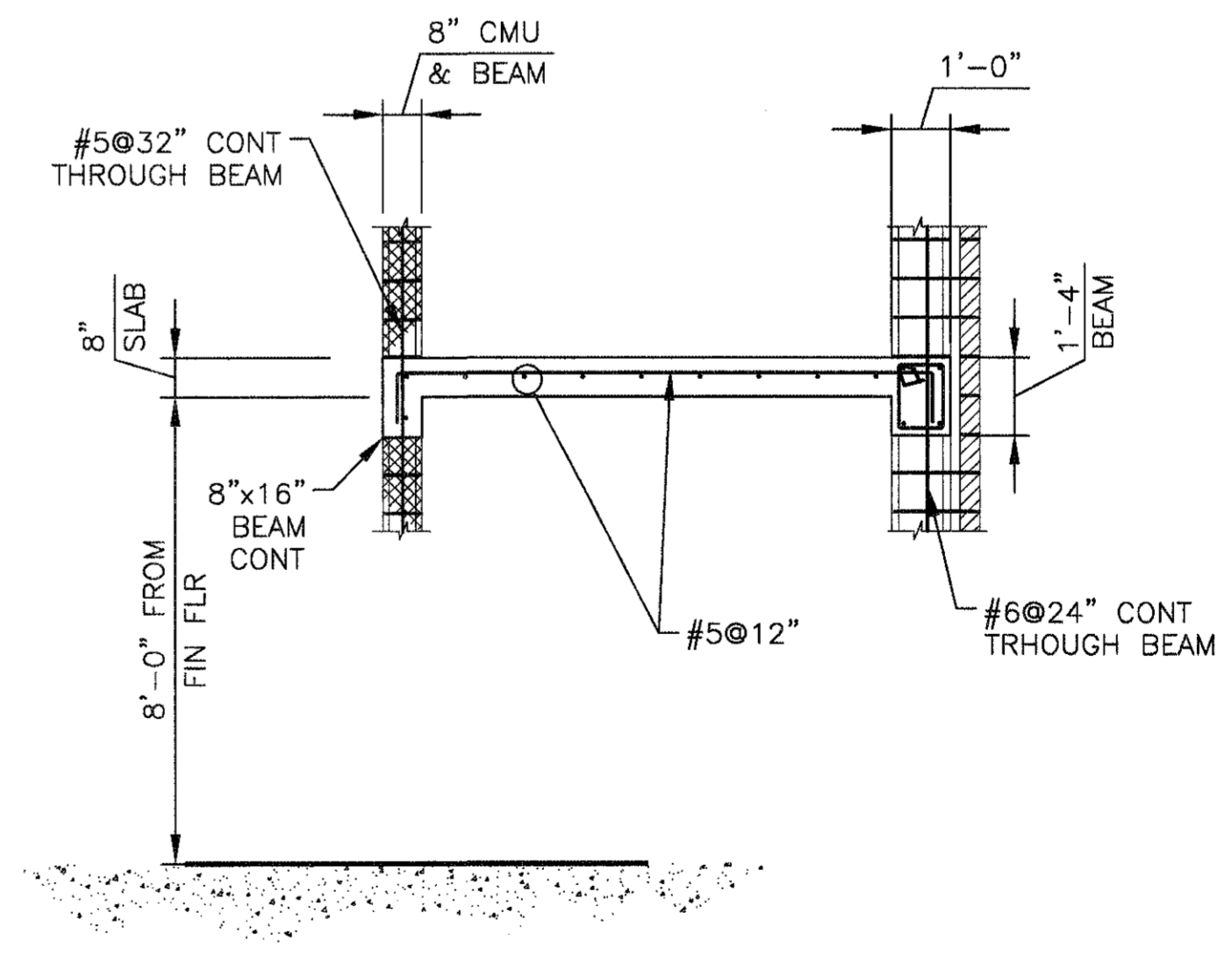
- CONNECTIONS:**
- STEEL TO STEEL OR ALUMINUM TO ALUMINUM:  
WELDED CONNECTION, GRIND SMOOTH.
- STEEL TO ALUMINUM:  
DRILL HOLE THRU LADDER RUNNER AND RAILING FOR 1/2" PIN. INSERT PIN AND WELD BOTH ENDS AND GRIND SMOOTH. PIN SHALL BE THE SAME MATERIAL AS RAILING.



**4** EMBEDDED PLATE FOR CRANE RUNWAY BEAM  
SD-511 SCALE: NOT TO SCALE



**5** CORBEL AT JET MIX PUMP STATION  
SD-511 SCALE: NOT TO SCALE



**6** UTILITY ROOM CONCRETE CEILING DETAIL AT JET MIX PUMP STATION  
SD-511 SCALE: NOT TO SCALE



PEACHTREE CREEK SOUTH FORK RELIEF STORAGE AND PUMPING STATION  
CITY OF ATLANTA  
DEPARTMENT of WATERSHED MANAGEMENT

REV	DATE	REVISION DESCRIPTION

THIS LINE IS ONE INCH LONG WHEN PLOTTED FULL SCALE.  
THIS DRAWING MUST BE USED IN CONJUNCTION WITH THE APPLICABLE OR GOVERNING TECHNICAL SPECIFICATIONS AND OTHER CONTRACT DOCUMENTS.  
PROJECT NO: FC-6260  
DATE: OCTOBER 2012  
RESP PROF: FT    DESIGNER: NSH    CHECKER: DSF

STRUCTURAL  
STANDARD DETAILS