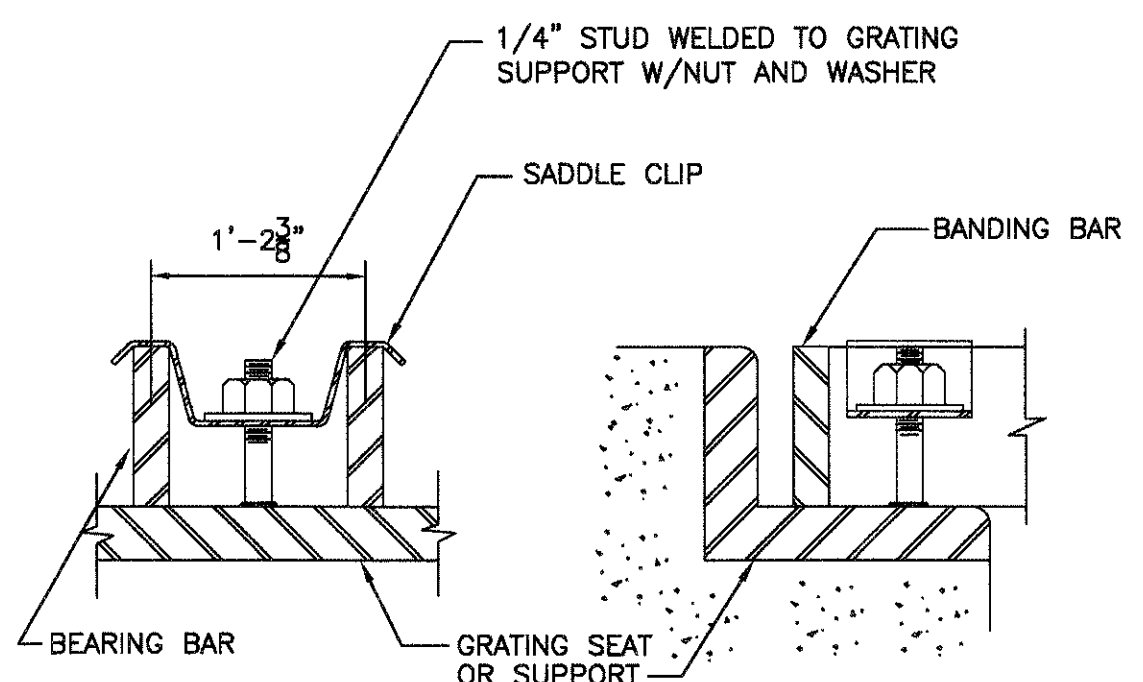


GRATING FRAME TABLE
(BASED ON LIVE LOAD OF 100 PSF)

TYPE	GRATING DEPTH T	FRAME ANGLE	SPAN
1	1"	1 3/4 x 1 1/4 x 1/4	1'-0" to 2'-6"
2	1 1/4"	2 x 1 1/2 x 1/4	2'-6" to 3'-0"
3	1 1/2"	1 3/4 x 1 3/4 x 1/4	3'-0" to 3'-6"
4	1 3/4"	2 x 2 x 1/4	3'-6" to 4'-0"
5	2"	*2 1/2 x 2 1/2 x 1/2	4'-0" to 4'-6"
6	2 1/4"	2 1/2 x 2 1/2 x 1/4	4'-6" to 5'-0"
7	2 1/2"	3 x 2 1/2 x 1/2	5'-0" to 6'-0"
8			

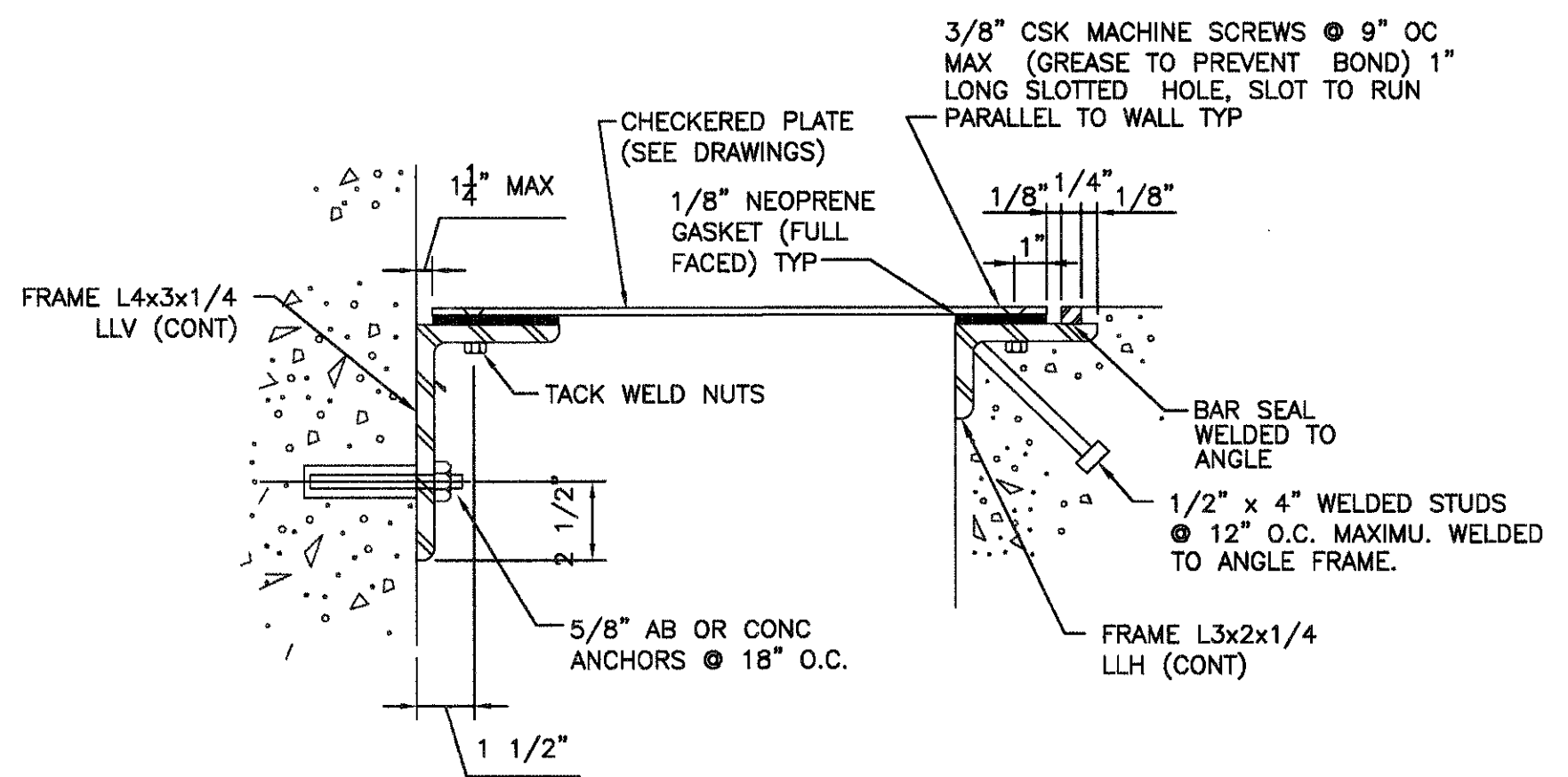
GRATING OF DEPTH "T" AS NOTED ON DRAWINGS SHALL BE AS SPECIFIED HEREIN. ALL ENDS AND OPENINGS SHALL BE BANDED. ALL GRATINGS SHALL BE SECURED IN PLACE WITH REMOVABLE FASTENERS, SEE DETAIL "2/SD-510". WEIGHT OF GRATING SECTION SHALL NOT EXCEED 80 LBS



PROVIDE MINIMUM 4 CLIPS PER GRATING PANEL, APPROX 4" FROM PANEL CORNERS. MAXIMUM CLIP SPACING AT 36" OC

STUD, NUT, WASHER AND CLIP TO BE THE SAME MATERIAL AS THE GRATING

2 GRATING ANCHOR DETAIL
SD-510



STEEL CHK'D PLATE - USE STEEL FRAME AND ANCHORS (GALV AFTER FABRICATION)

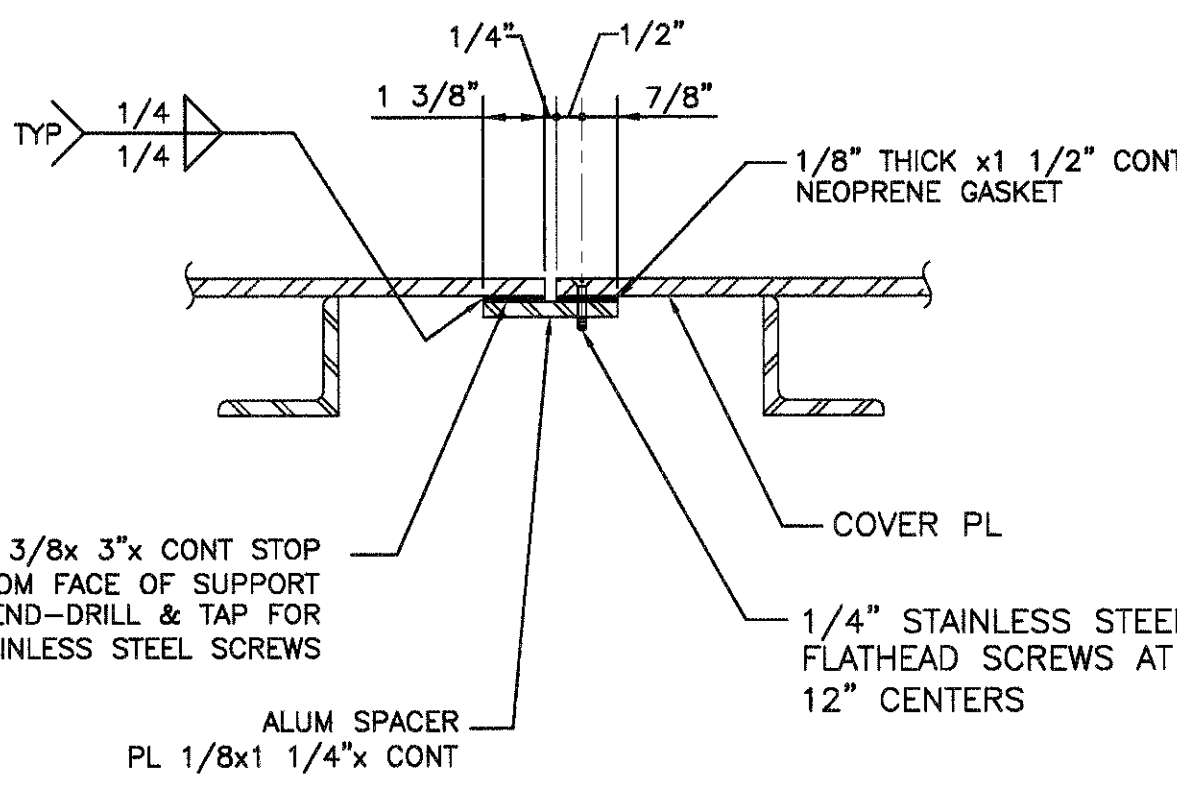
ALUM CHK'D PLATE - USE ALUM FRAME AND STUDS, AND SS ANCHORS

316 SS CHK'D PLATE - USE 316 SS FRAME AND 316 SS ANCHORS

NOTE:
EPOXY GROUT SHALL BE HILTI HIT RE 500-SD ADHESIVE OR APPROVED EQUAL WITH CURRENT ICC-ES APPROVAL LISTING

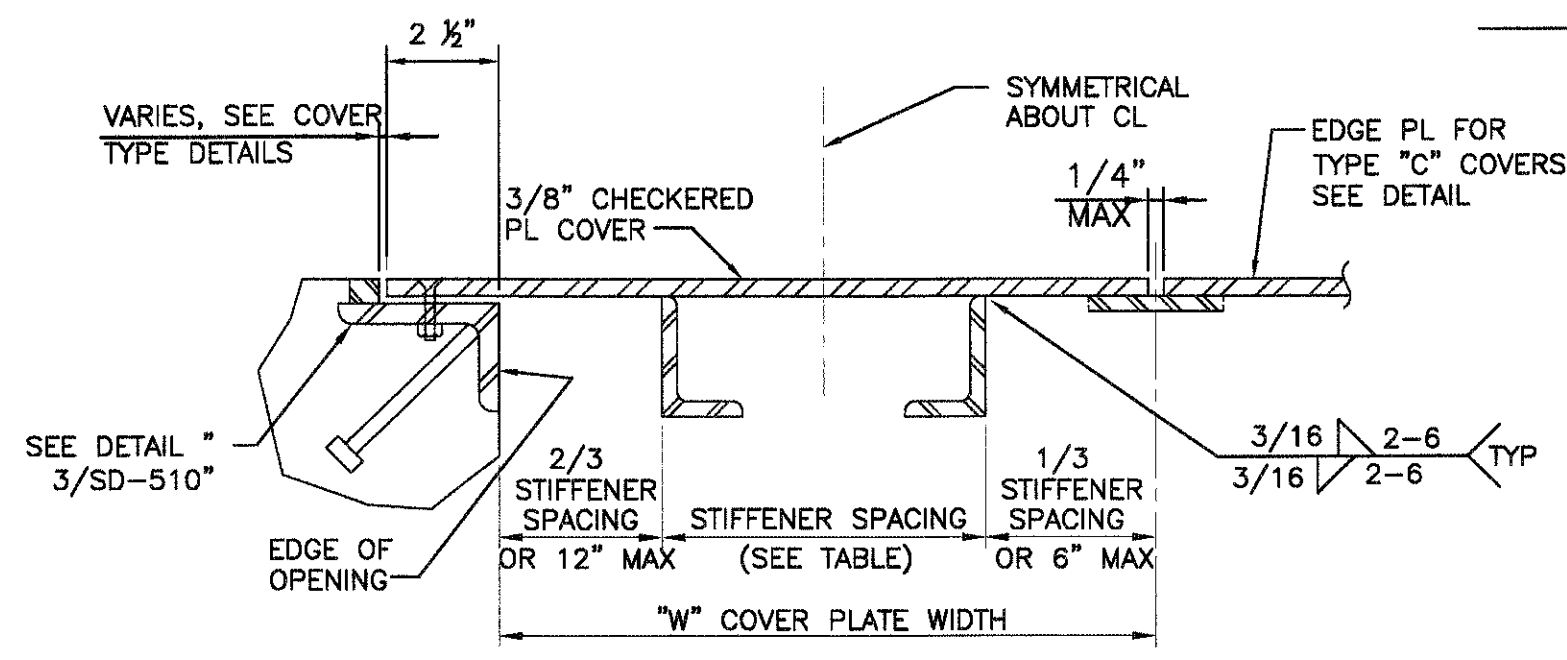
3 TYPICAL PLATE COVERED OPENING
SD-510

1 ALUMINUM GRATING, I-BAR
SD-510



NOTE
THIS DETAIL APPLIES TO FLOOR COVER PLATES AND OTHER AIRTIGHT COVERS

4 EDGE PLATE DETAIL
SD-510

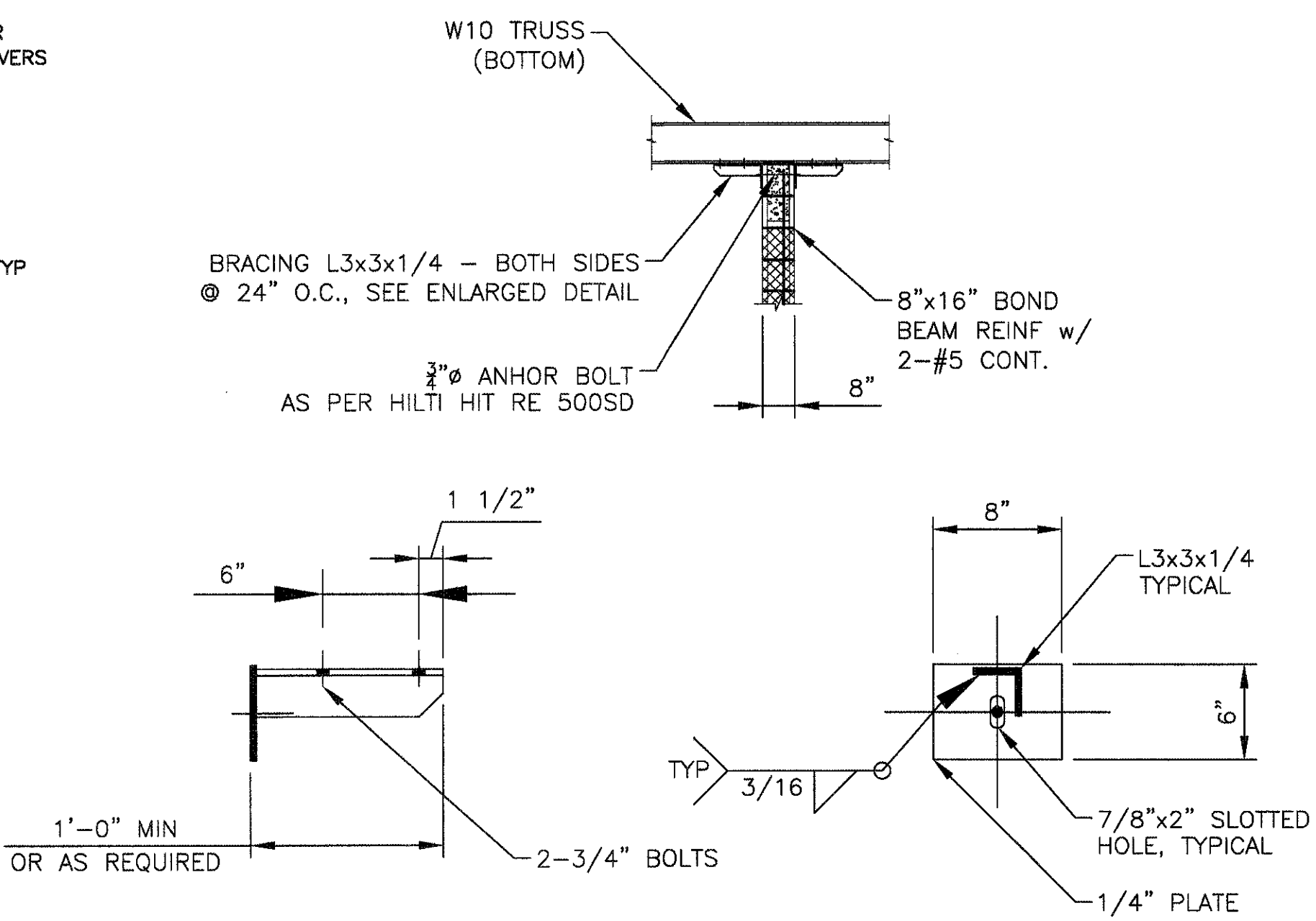


TABLE

OPENING SPAN LENGTH "L"	STIFFENER SIZE	MAXIMUM STIFFENER SPACING	MAX PLATE WIDTH "W"
L < 2'-6"	NONE	-	5'-0"
2'-6" < L < 3'-6"	L2x1 1/2x1/4	1'-6"	4'-0"
3'-6" < L < 4'-0"	L2 1/2x1 1/2x1/4	1'-6"	4'-0"
4'-0" < L < 4'-6"	L2 1/2x1 1/2x1/4	1'-3"	4'-0"
4'-6" < L < 5'-0"	L3x2x1/4	1'-6"	4'-0"
5'-0" < L < 5'-6"	L3x2x1/4	1'-3"	3'-0"
5'-6" < L < 6'-0"	L3 1/2x2 1/2x1/4	1'-6"	3'-0"
6'-0" < L < 6'-6"	L3 1/2x2 1/2x1/4	1'-3"	2'-6"
6'-6" < L < 7'-0"	L4x3x1/4	1'-3"	2'-6"
7'-0" < L < 7'-6"	L4x3x1/4	1'-0"	2'-0"

NOTES:
1. STIFFENERS TO BE PLACED LONG LEG VERTICAL.
2. SPAN DIRECTION OF PLATE TO BE PARALLEL TO STIFFENERS AND SHALL BE SHORT DIMENSION OF OPENING UNLESS OTHERWISE NOTED ON PLANS.
3. MAXIMUM ALLOWABLE UNIFORM DESIGN LOAD = 300 PSF.
4. MAXIMUM WEIGHT OF COVER PLATE TO BE 125 POUNDS.
5. COVER PLATES AND STIFFENERS SHALL BE OF SAME MATERIAL.
6. ALL COVER PLATES TO HAVE A MINIMUM OF TWO LIFTING EYES.

5 CHECKED COVER PLATE STIFFENER
SD-510



6 TOP OF CMU WALL BRACKET SUPPORT
SD-510 SCALE: NOT TO SCALE

Atlanta

PEACHTREE CREEK SOUTH FORK
RELIEF STORAGE AND PUMPING STATION

CITY OF ATLANTA
DEPARTMENT OF WATERSHED MANAGEMENT

REV	DATE	REVISION DESCRIPTION

THIS LINE IS ONE INCH LONG WHEN PLOTTED FULL SCALE
THIS DRAWING MUST BE USED IN CONJUNCTION WITH THE APPLICABLE OR GOVERNING TECHNICAL SPECIFICATIONS AND OTHER CONTRACT DOCUMENTS.

PROJECT NO: FC-6260
DATE: OCTOBER 2012

RESP PROF: FT	DESIGNER: NSH	CHECKER: DSF
---------------	---------------	--------------

SHEET TITLE
**STRUCTURAL
STANDARD DETAILS**

SHEET NO. SD-510 REV. 0