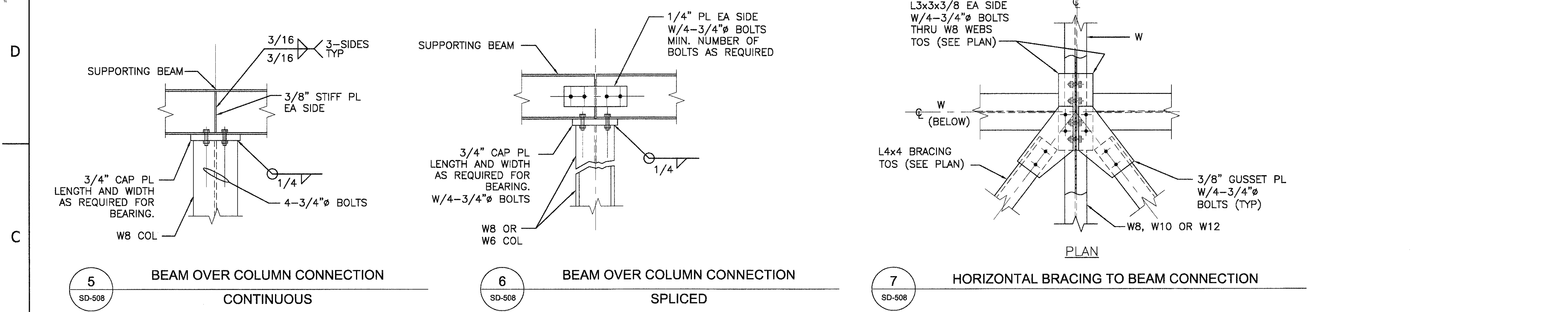
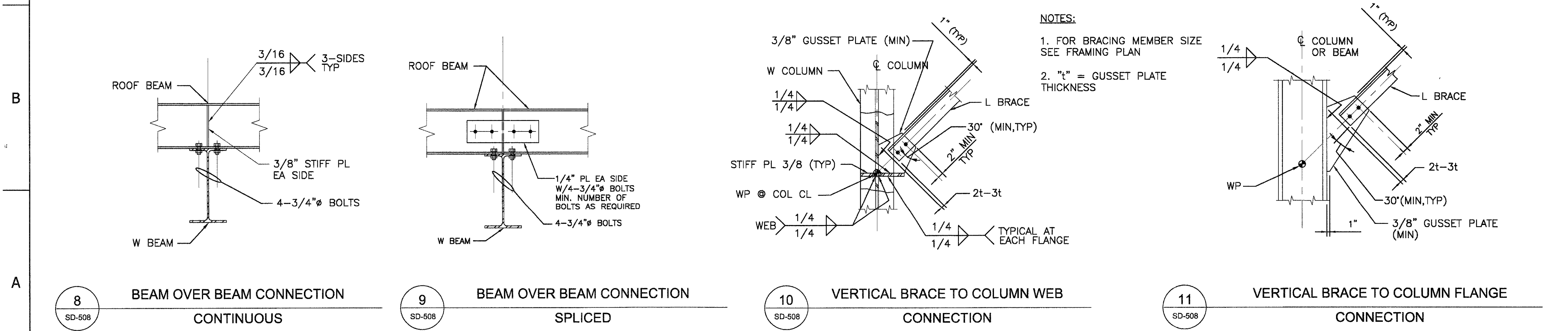


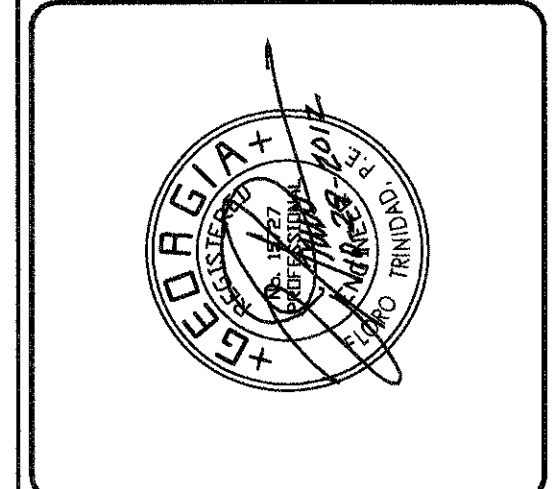
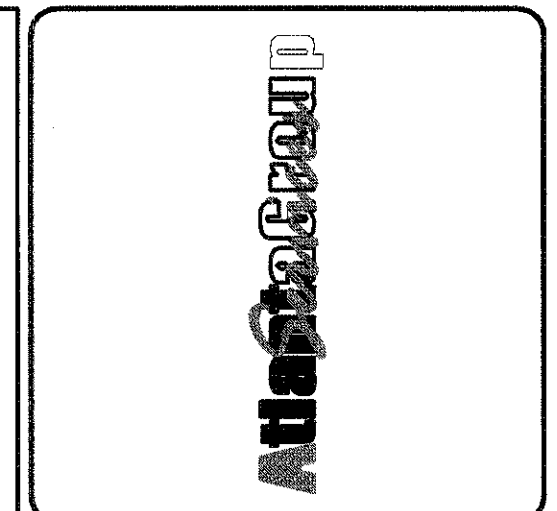
1 HORIZONTAL BRACING CONNECTION TO COLUMN
 2 HORIZONTAL BRACING CONNECTION AT BEAM INTERSECTION
 3 HORIZONTAL BRACING CONNECTION SINGLE ANGLE ONLY
 4 HORIZONTAL BRACING CONNECTION DOUBLE ANGLES



5 BEAM OVER COLUMN CONNECTION CONTINUOUS
 6 BEAM OVER COLUMN CONNECTION SPLICED
 7 HORIZONTAL BRACING TO BEAM CONNECTION



8 BEAM OVER BEAM CONNECTION CONTINUOUS
 9 BEAM OVER BEAM CONNECTION SPLICED
 10 VERTICAL BRACE TO COLUMN WEB CONNECTION
 11 VERTICAL BRACE TO COLUMN FLANGE CONNECTION



PEACHTREE CREEK SOUTH FORK
 RELIEF STORAGE AND PUMPING STATION
 CITY OF ATLANTA
 DEPARTMENT OF WATERSHED MANAGEMENT

REV	DATE	REVISION DESCRIPTION

THIS LINE IS ONE INCH LONG WHEN PLOTTED FULL SCALE

THIS DRAWING MUST BE USED IN CONJUNCTION WITH THE APPLICABLE OR GOVERNING TECHNICAL SPECIFICATIONS AND OTHER CONTRACT DOCUMENTS.

PROJECT NO: FC-6260
 DATE: OCTOBER 2012
 RESP PROF: FT
 DESIGNER: NSH
 CHECKER: DSF

SHEET TITLE
 STRUCTURAL
 STANDARD DETAILS

SHEET NO. SD-508 REV. 0