

1 2 3 4 5 6 7 8

F

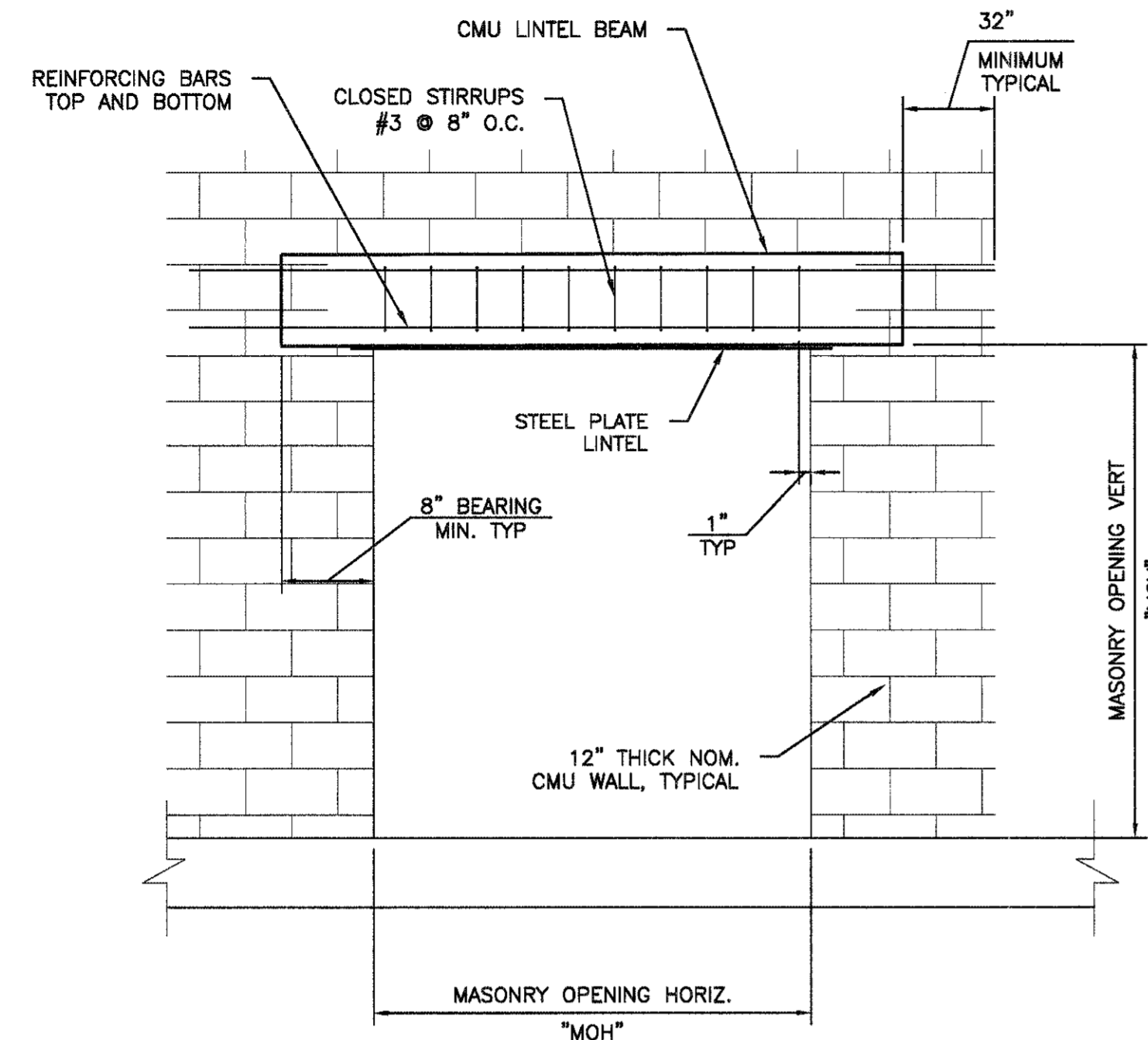
E

D

C

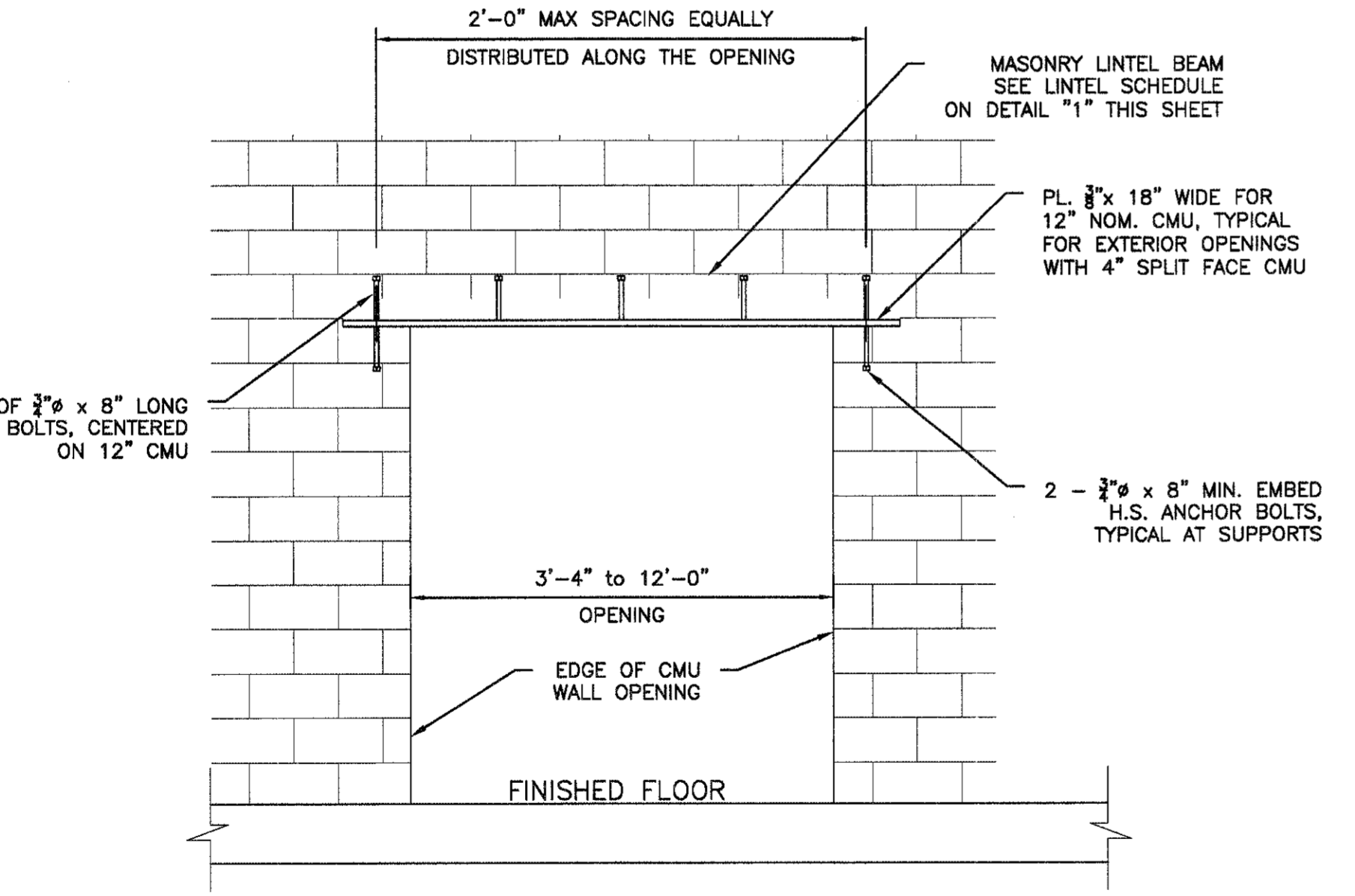
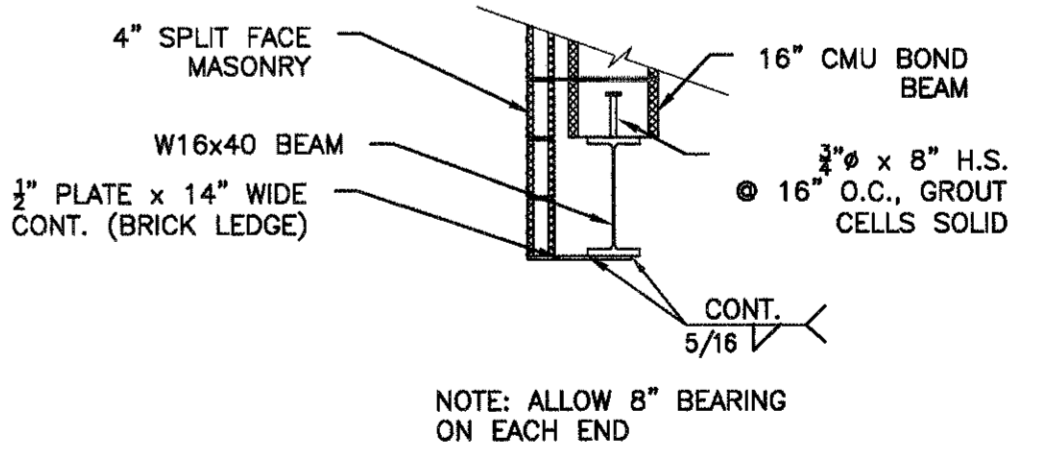
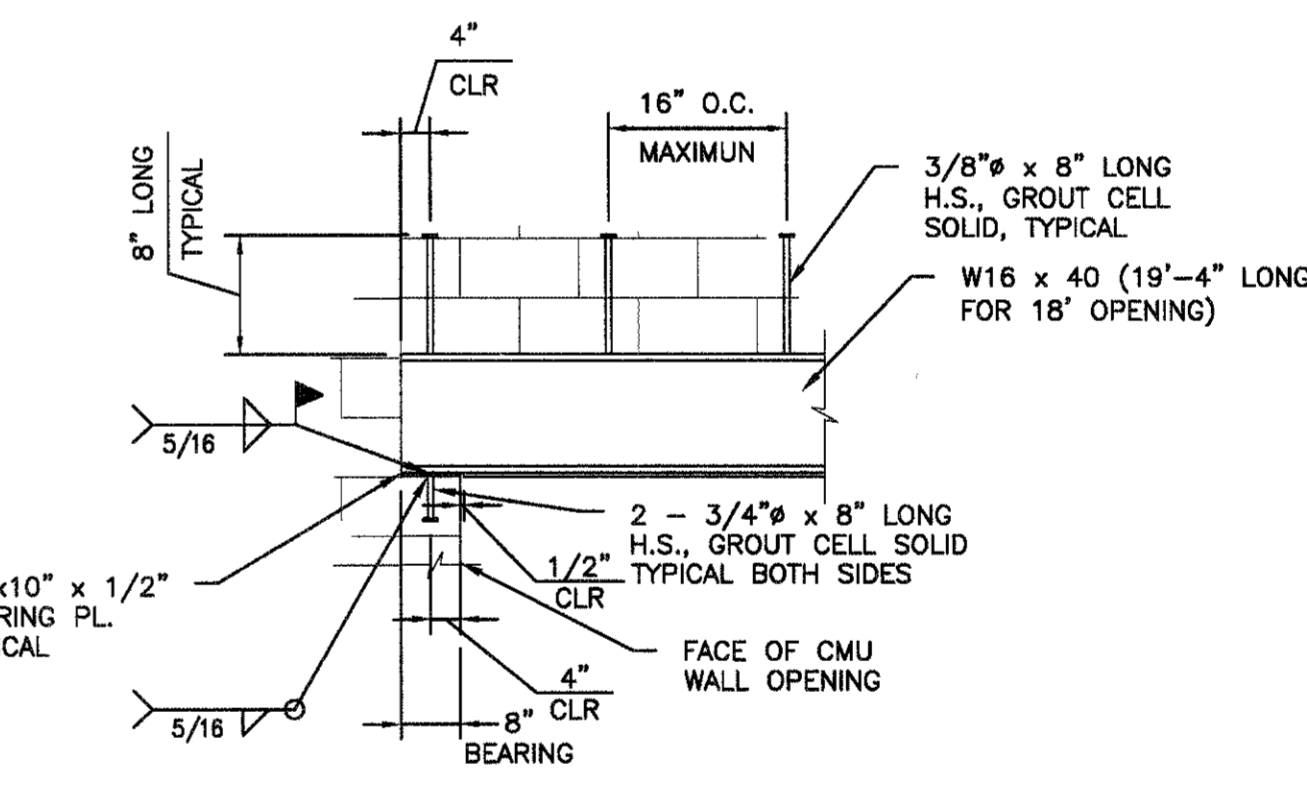
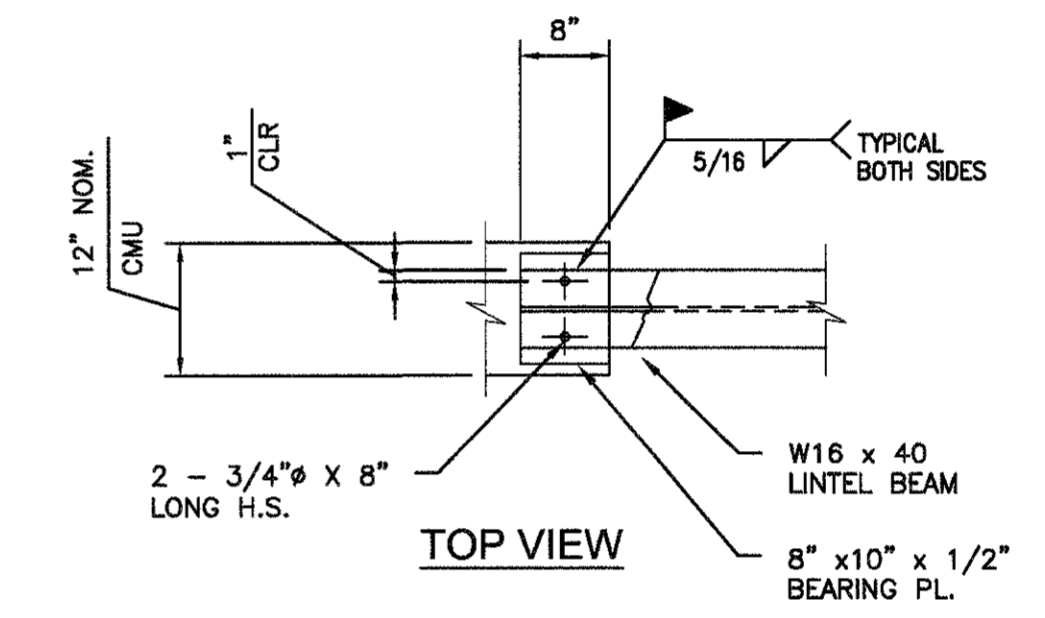
B

A

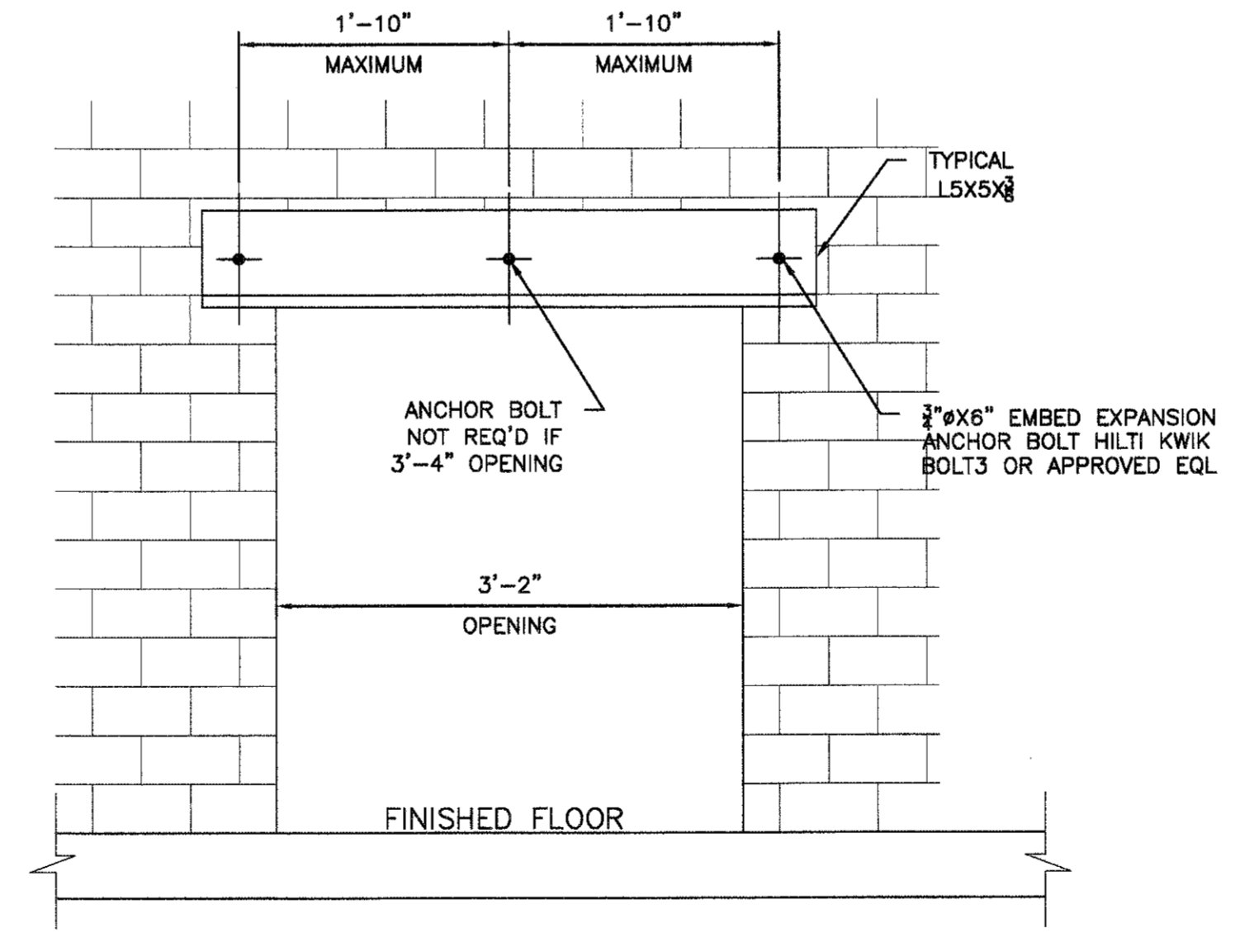


MASONRY LINTEL BEAM SCHEDULE			
HORIZONTAL OPENING SIZE (MOH)	LINTEL BEAM SIZE thick x depth x length	REINFORCING BARS	LOCATION
LESS THAN 3'-4"	12" x 8" x 4'-8" LONG	2-#6 BOTTOM BARS ONLY	BOTH JET MIX & DIVERSION PUMP STATIONS
3'-4"	12" x 16" x 4'-8" LONG	2-#6 T&B w/#3 stirrups @ 8" O.C.	BOTH JET MIX & DIVERSION PUMP STATIONS
6'-4"	12" x 16" x 7'-8" LONG	2-#7 T&B w/#3 stirrups @ 8" O.C.	BOTH JET MIX & DIVERSION PUMP STATIONS
12'-0"	12" x 24" x 13'-8" LONG	3-#7 T&B w/#3 stirrups @ 8" O.C.	BOTH JET MIX & DIVERSION PUMP STATIONS
12' AND WIDER	USE STEEL BEAM LINTEL - SEE DETAIL "4" THIS SHEET		
FOR ADITIONAL STEEL PLATE LINTEL - SEE DETAIL "2" THIS SHEET			

1 CONCRETE MASONRY LINTEL SCHEDULE
SD-505

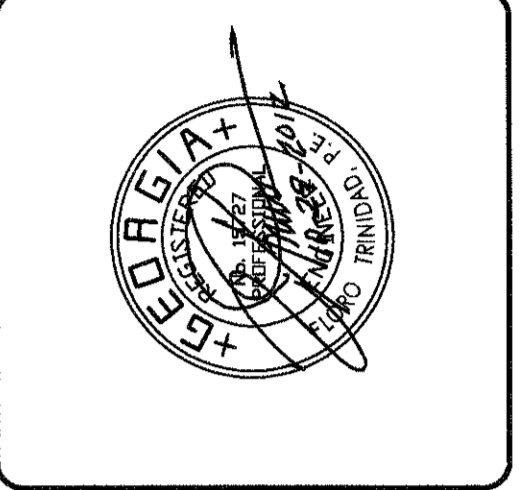


2 STEEL PLATE LINTEL
SD-505



3 STEEL ANGLE LINTEL
WHERE NO STEEL PLATE LINTEL
SD-505

4 STEEL BEAM LINTEL
OVER 12 FT TO 18 FT OPENING
SD-505



PEACHTREE CREEK SOUTH FORK
RELIEF STORAGE AND PUMPING STATION

CITY OF ATLANTA

DEPARTMENT OF WATERSHED MANAGEMENT

REV	DATE	REVISION DESCRIPTION

THIS LINE IS ONE INCH LONG WHEN PLOTTED FULL SCALE

THIS DRAWING MUST BE USED IN CONJUNCTION WITH THE APPLICABLE OR GOVERNING TECHNICAL SPECIFICATIONS AND OTHER CONTRACT DOCUMENTS.

PROJECT NO: FC-6260

DATE: OCTOBER 2012

RESP PROF: FT DESIGNER: NSH CHECKER: DSF

SHEET TITLE

STRUCTURAL
STANDARD DETAILS

SHEET NO. SD-505 REV. 0