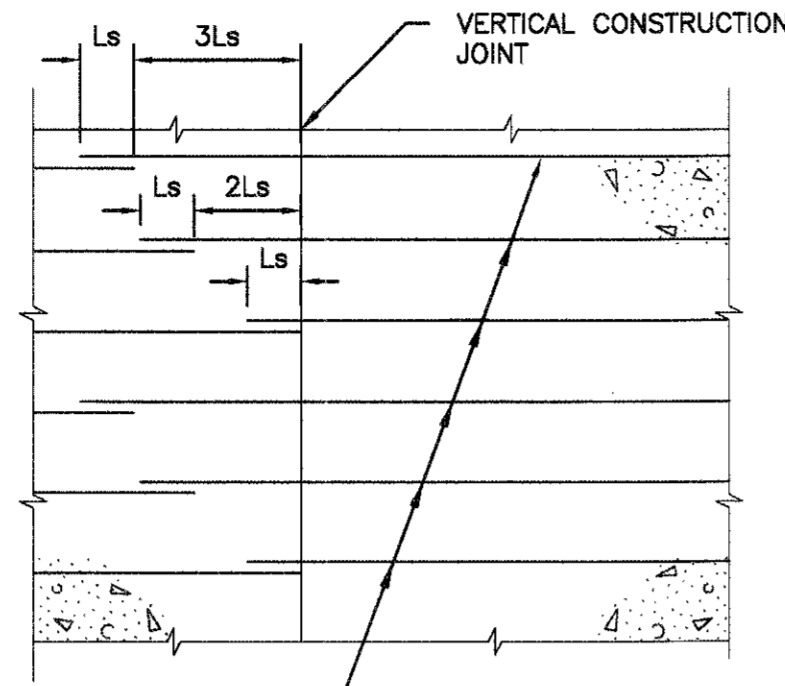


1 2 3 4 5 6 7 8

F

**NOTES:**

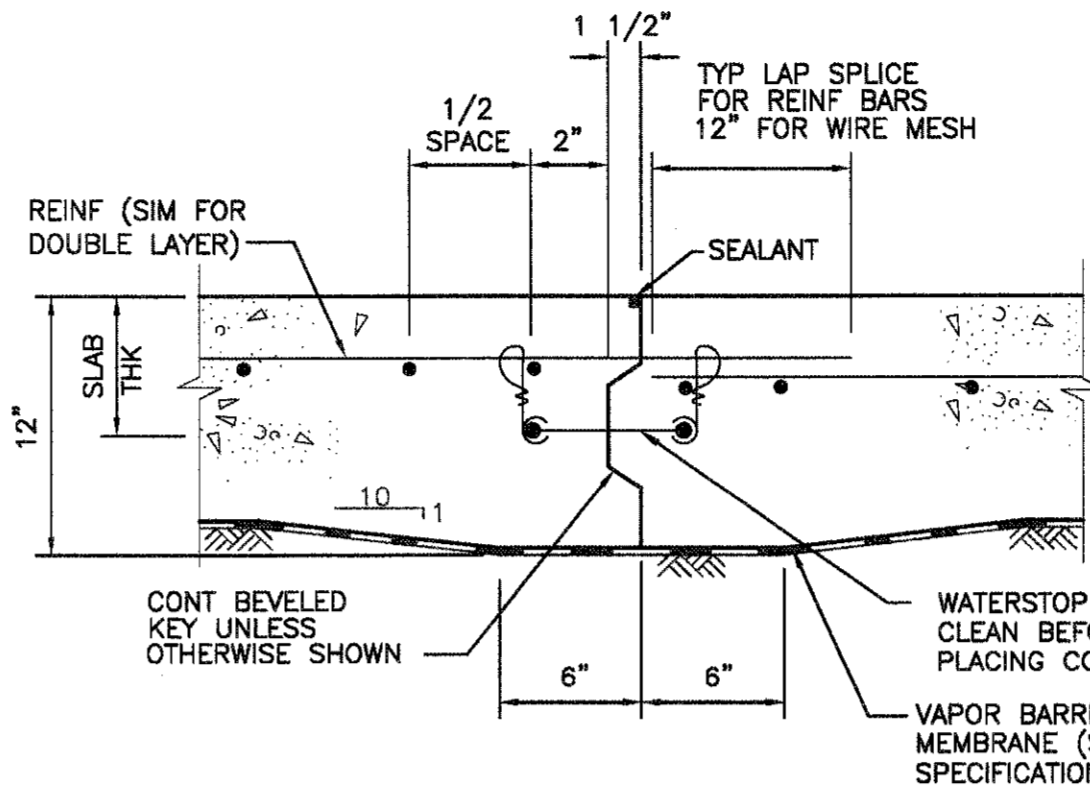
1. CONSTRUCTION JOINTS SHALL BE LOCATED AS SHOWN ON CONTRACT DRAWINGS.
2. SEE SPECIFICATIONS AND STRUCTURAL NOTES.
3. CLEAN JOINT AND REINFORCING PRIOR TO PLACING ADJOINING CONCRETE.



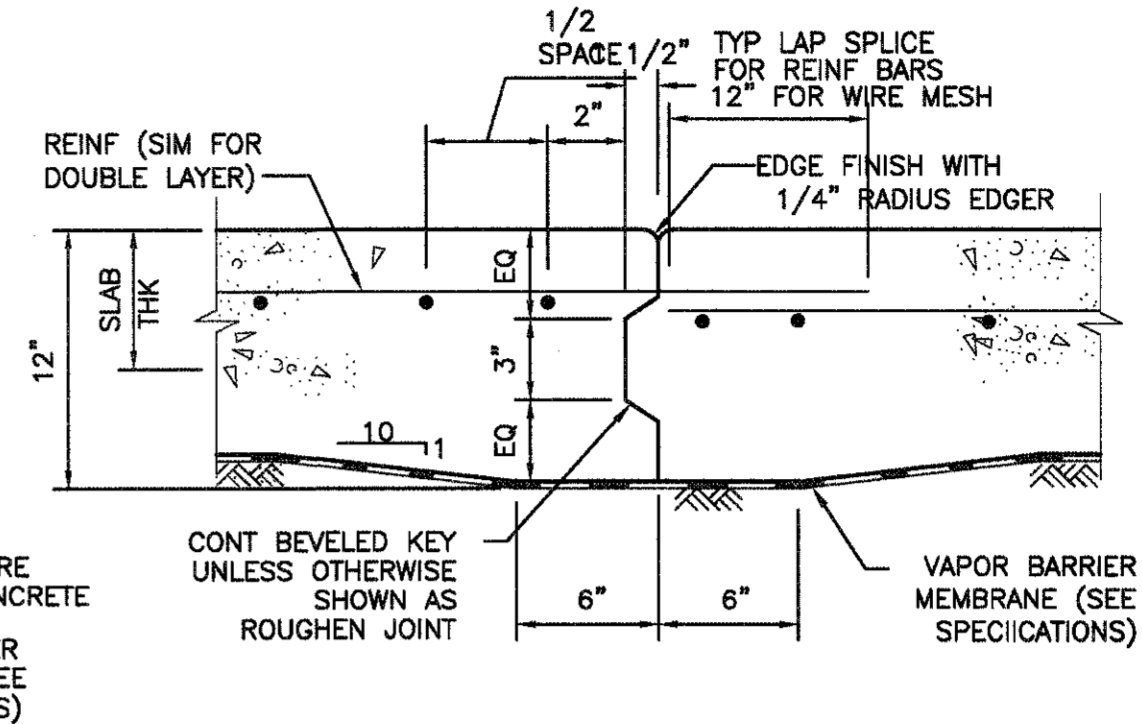
NOTE:  
STAGGER TYPICAL LAP SPLICES AS SHOWN FOR ALL WALLS AT STRUCTURES CONTAINING LIQUID.

Ls = TYP LAP SPLICE

**WALL ELEVATION**



**WATER BEARING SLAB**



**NON WATER BEARING SLAB**

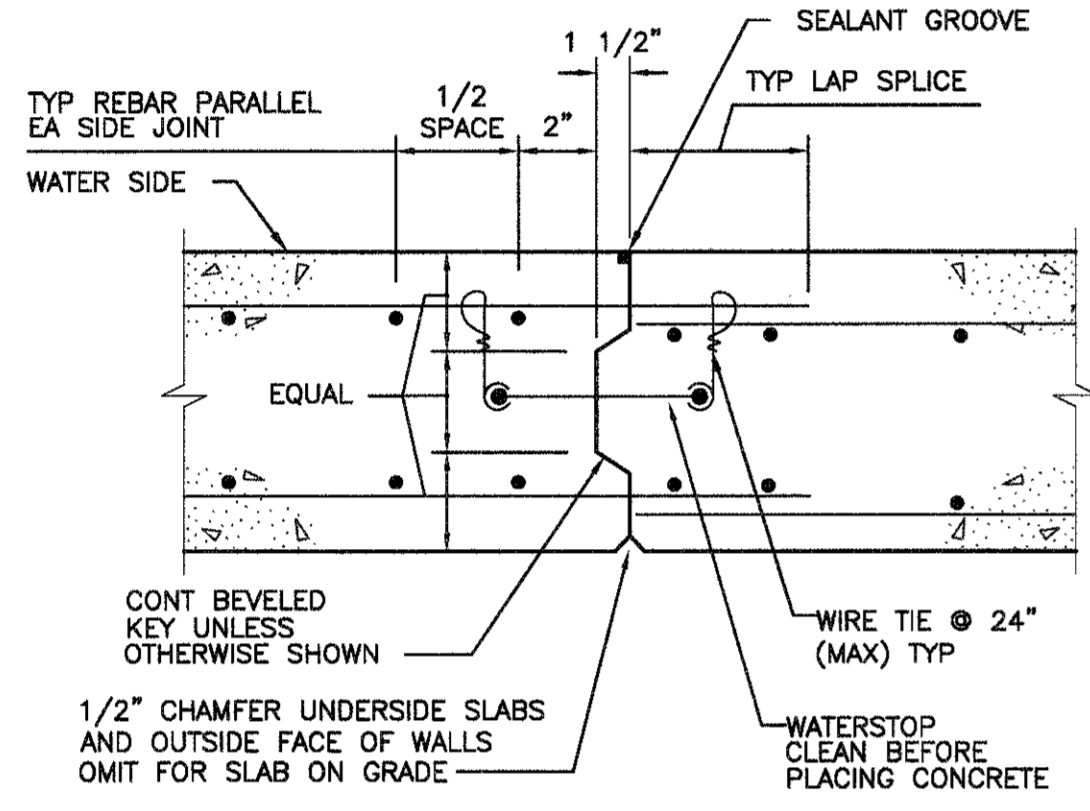
**NOTES:**

1. CONSTRUCTION JOINTS SHALL BE LOCATED AS SHOWN ON CONTRACT DRAWINGS.
2. SEE SPECIFICATIONS AND STRUCTURAL NOTES.
3. CLEAN JOINT AND REINFORCING PRIOR TO PLACING ADJOINING CONCRETE.

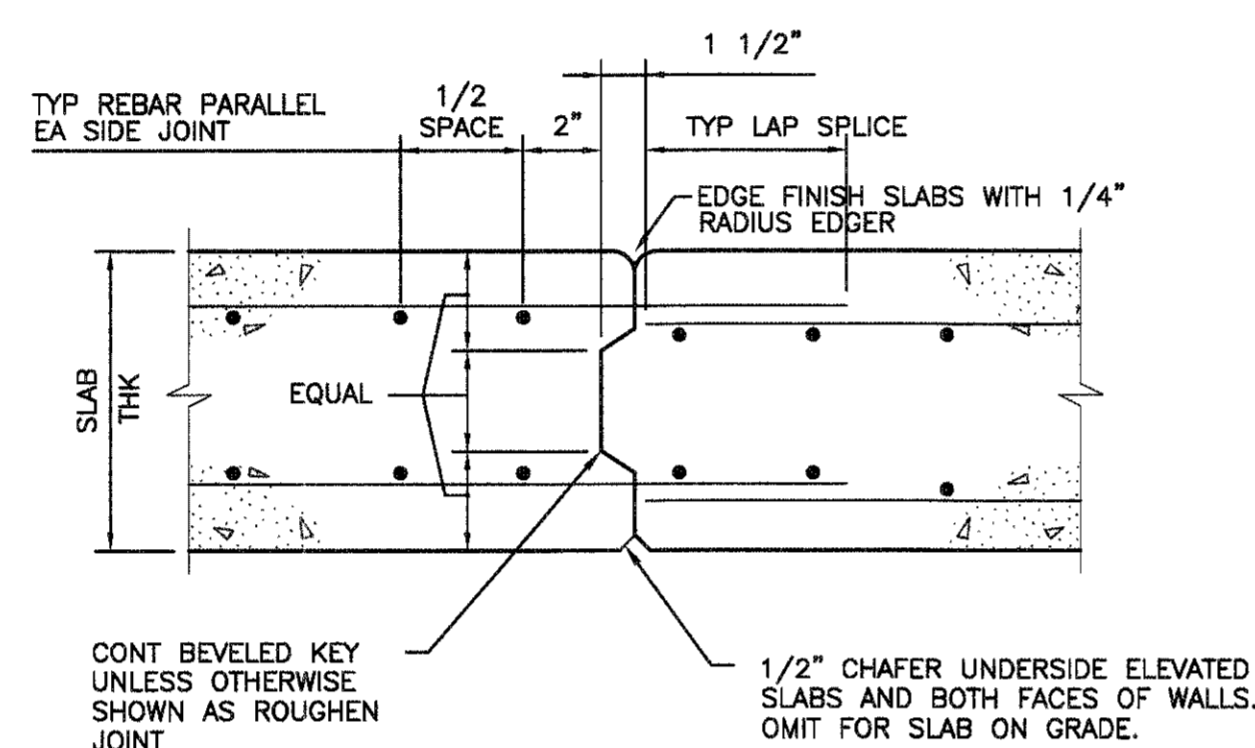
2  
SD-503

**CONSTRUCTION JOINTS FOR SLAB ON GRADE UP TO 9" THICK**

E



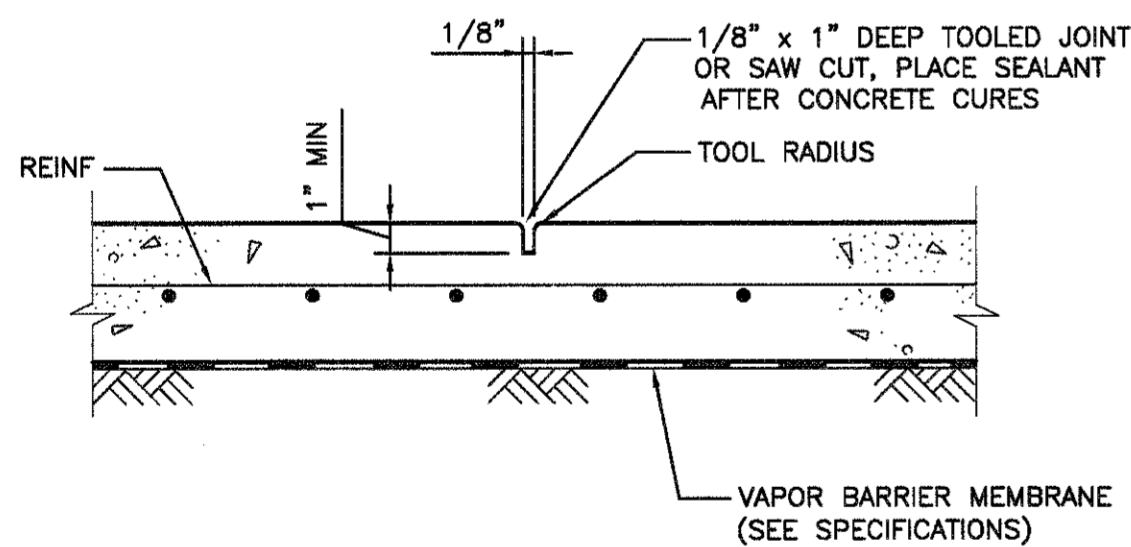
**WATER BEARING WALL OR SLAB**



**NON WATER BEARING WALL OR SLAB**

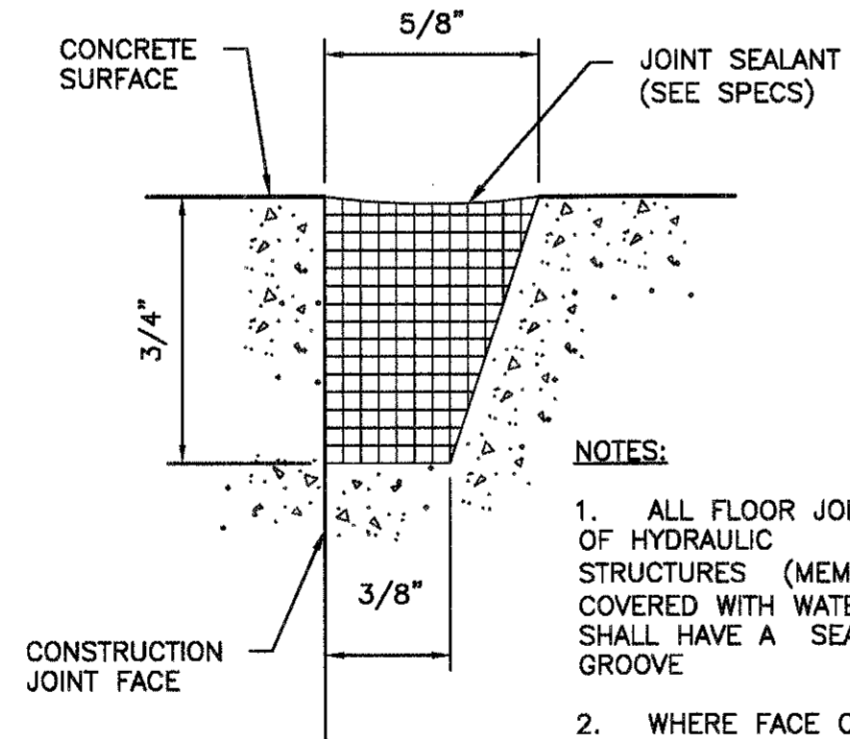
D

1  
SD-503  
**CONSTRUCTION JOINTS FOR WALL OR SLABS 10" AND THICKER**



**NOTES:**

1. CONSTRUCTION JOINTS MAY BE USED IN LIEU OF CONTROL JOINTS.
2. CONTROL JOINTS OR CONSTRUCTION JOINTS SHALL DIVIDE SLABS INTO SECTIONS AS SHOWN ON PLANS, BUT NOT EXCEEDING 410 SQUARE FEET AND WITH LENGTH TO WIDTH RATIOS NOT EXCEEDING 1.5 TO 1.

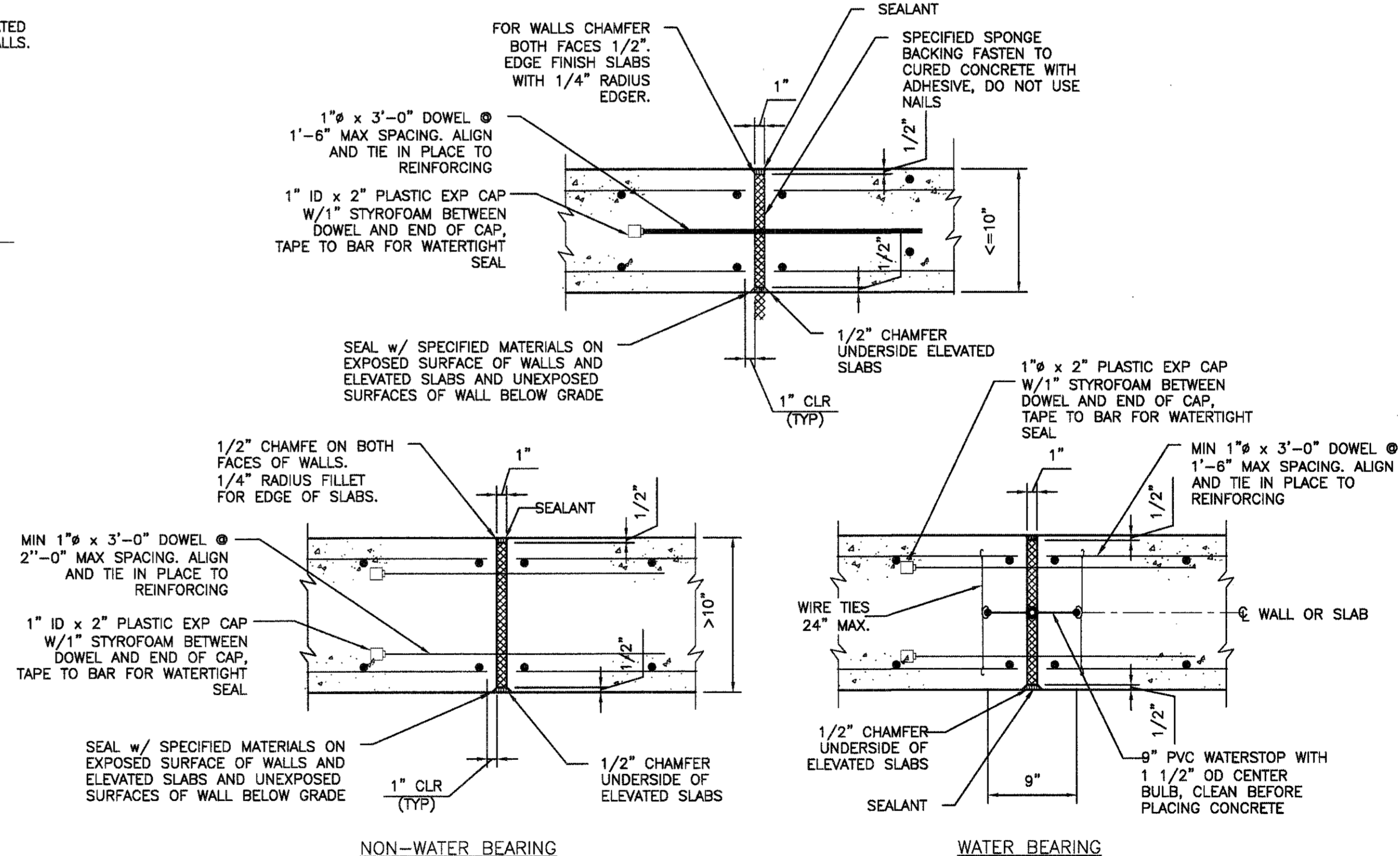


**NOTES:**

1. ALL FLOOR JOINTS OF HYDRAULIC STRUCTURES (MEMBERS COVERED WITH WATER) SHALL HAVE A SEALANT GROOVE
2. WHERE FACE OF JOINT IS TO BE COATED WITH BOND BREAKER, AVOID COATING SEALANT GROOVE
3. SANDBLASTING REQUIRED PRIOR TO APPLICATION OF PRIMER

4  
SD-503  
**SEALANT GROOVE**

B



**NON-WATER BEARING**

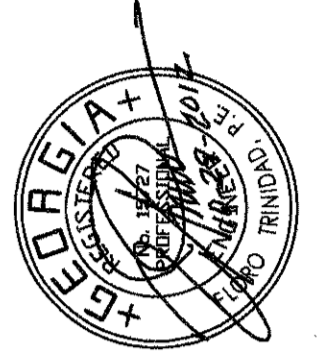
**WATER BEARING**

NOTE: SIZE OF DOWELS TO MATCH SIZE INDICATED ON SECTIONS OR PLANS, OTHERWISE USE THE SIZE AS NOTED ON THESE DETAILS

A

3  
SD-503  
**CONTROL JOINT FOR SLAB ON GRADE**

5  
SD-503  
**TYPICAL EXPANSION JOINTS**



PEACHTREE CREEK SOUTH FORK  
RELIEF STORAGE AND PUMPING STATION



CITY OF ATLANTA

DEPARTMENT OF WATERSHED MANAGEMENT

| REV | DATE | REVISION DESCRIPTION |
|-----|------|----------------------|
|     |      |                      |
|     |      |                      |
|     |      |                      |
|     |      |                      |
|     |      |                      |
|     |      |                      |
|     |      |                      |
|     |      |                      |
|     |      |                      |

THIS LINE IS ONE INCH LONG WHEN PLOTTED FULL SCALE  
THIS DRAWING MUST BE USED IN CONJUNCTION WITH THE APPLICABLE OR GOVERNING TECHNICAL SPECIFICATIONS AND OTHER CONTRACT DOCUMENTS.  
PROJECT NO: FC-6260  
DATE: OCTOBER 2012  
RESP PROF: DESIGNER: CHECKER:  
FT NSH DSF  
SHEET TITLE

STRUCTURAL  
STANDARD DETAILS

SHEET NO. SD-503 REV. 0