

1 2 3 4 5 6 7 8

F

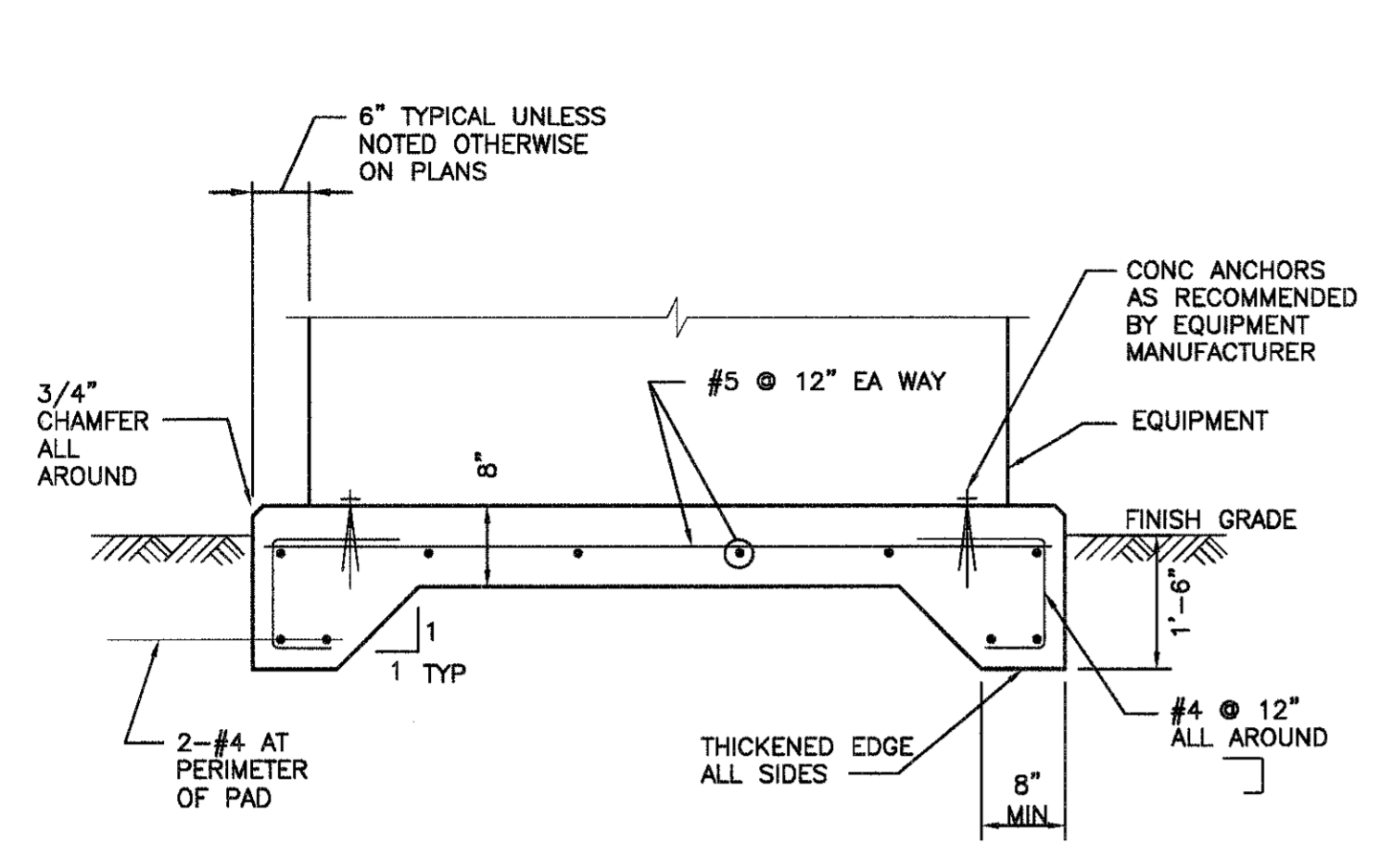
E

D

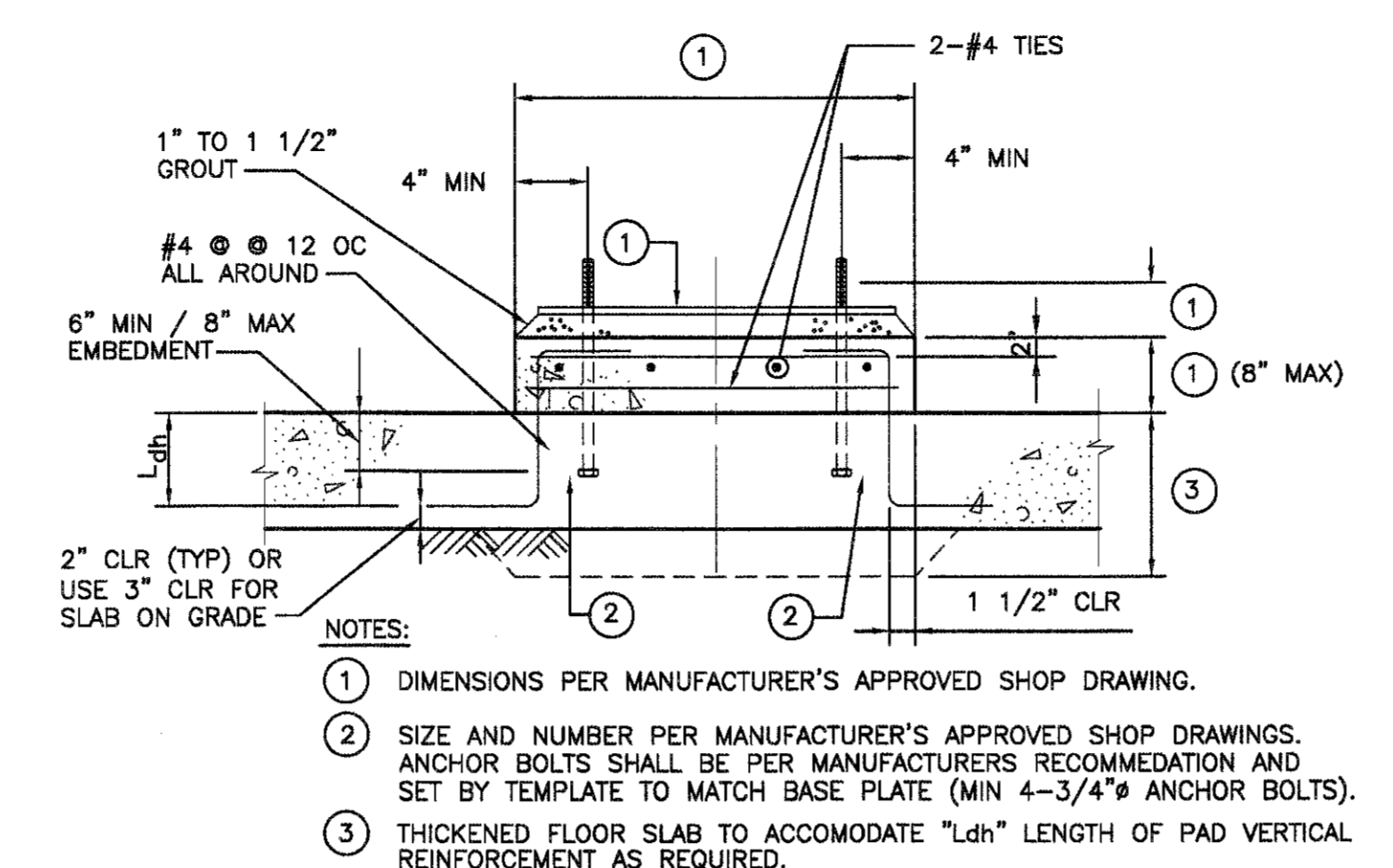
C

B

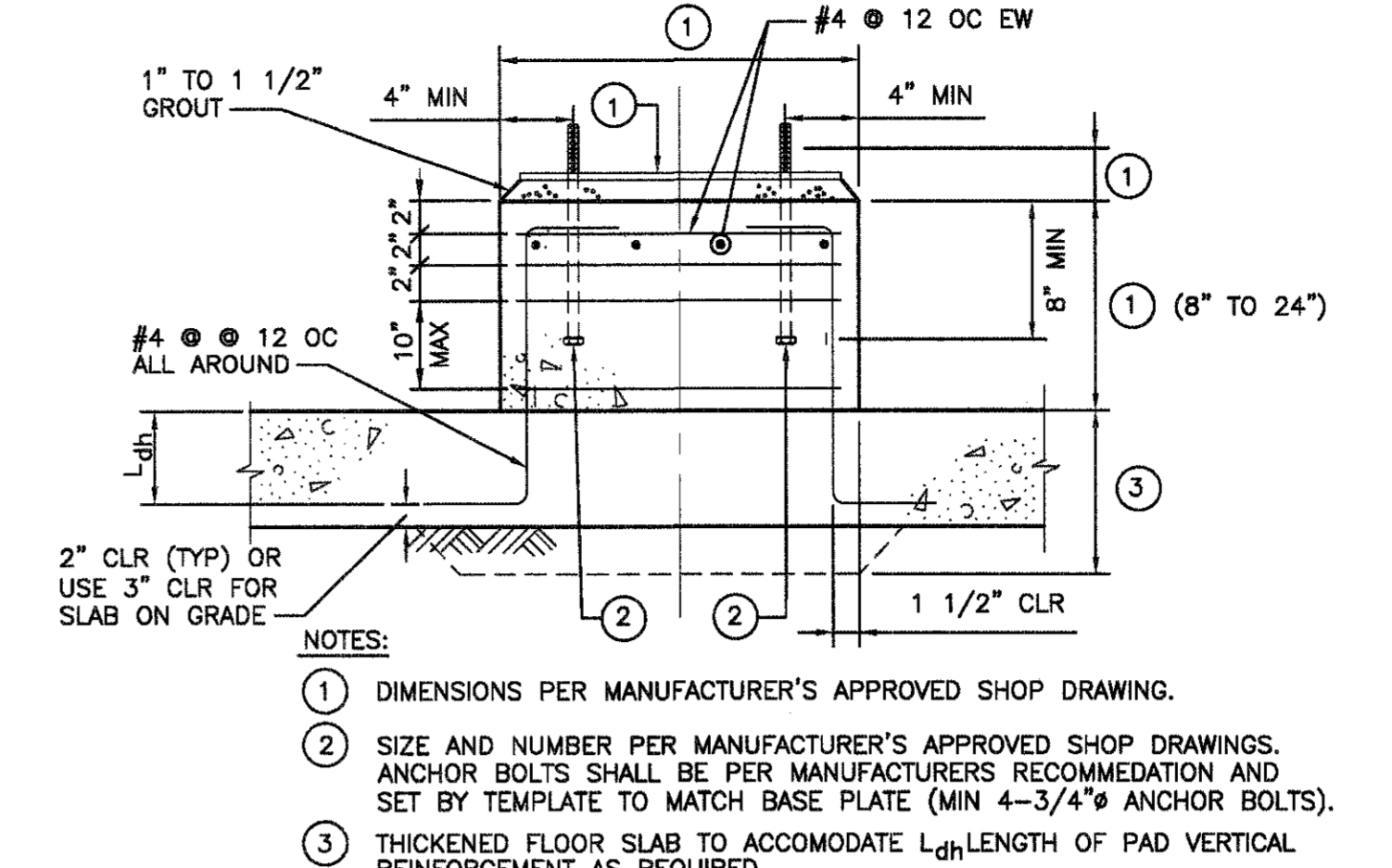
A



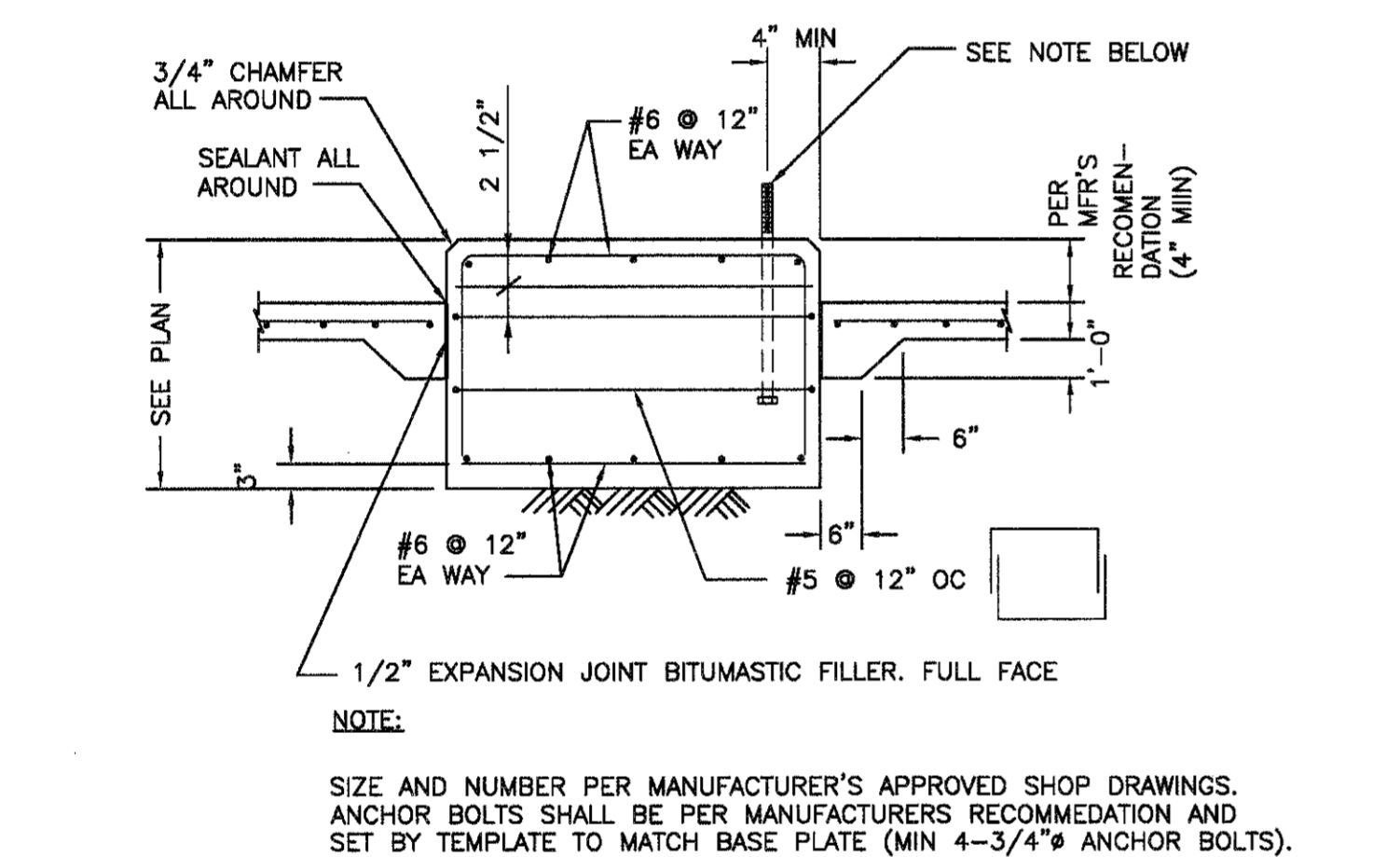
1 CONCRETE EQUIPMENT BASE PAD (EXTERIOR)
SD-502



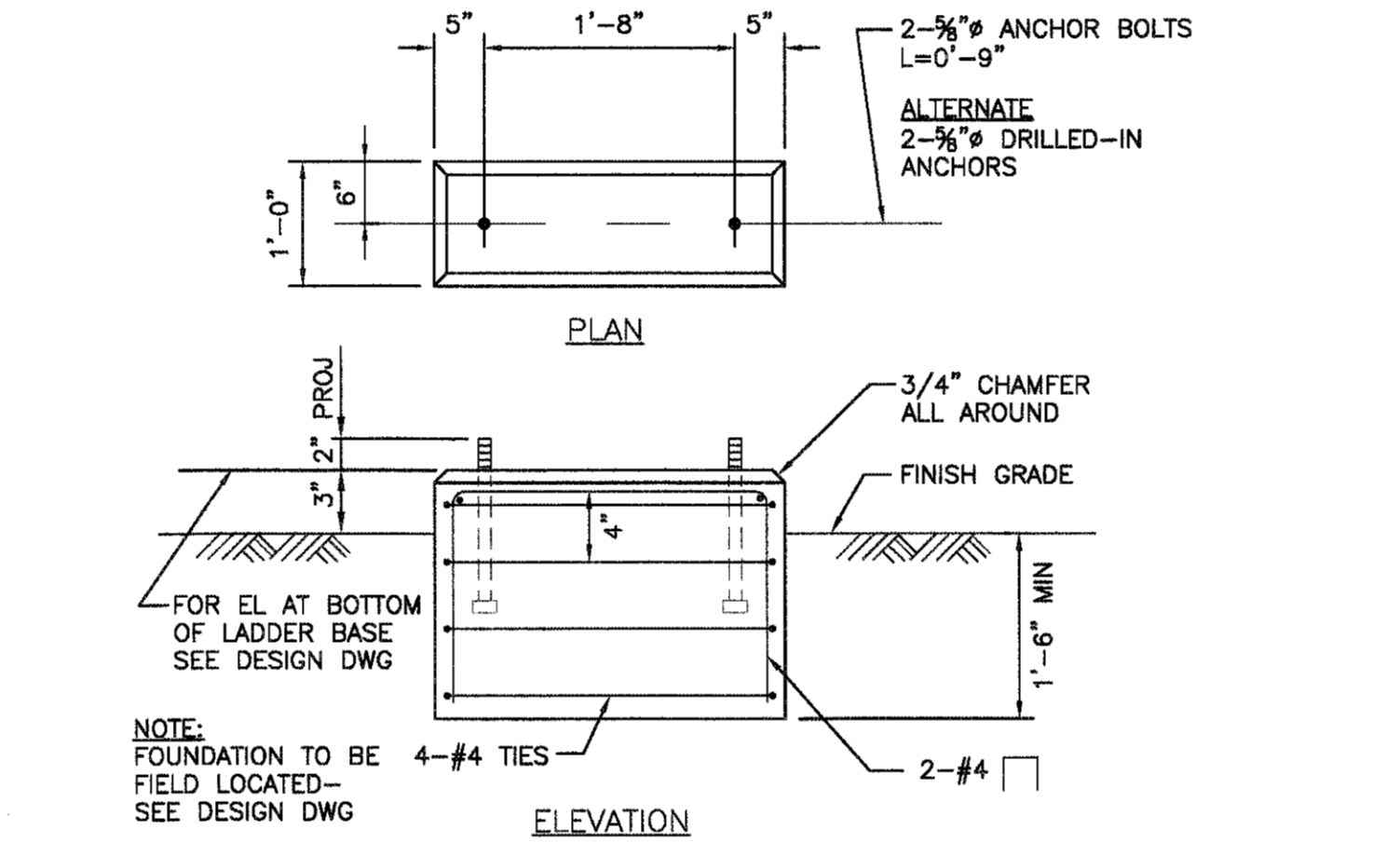
2 CONCRETE EQUIPMENT BASE PAD (INTERIOR) TYPE 1
SD-502



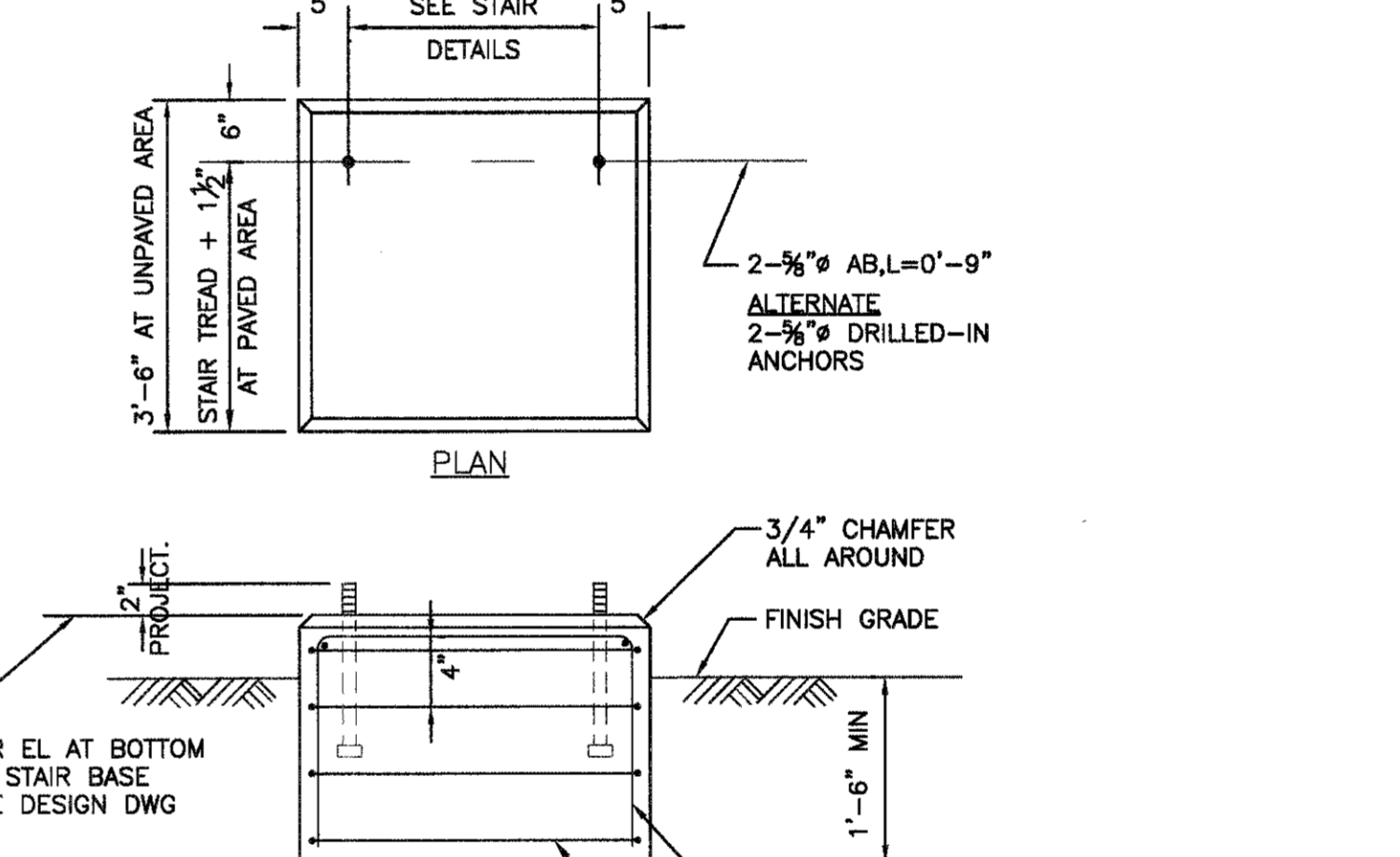
3 CONCRETE EQUIPMENT BASE PAD (INTERIOR) TYPE 2
SD-502



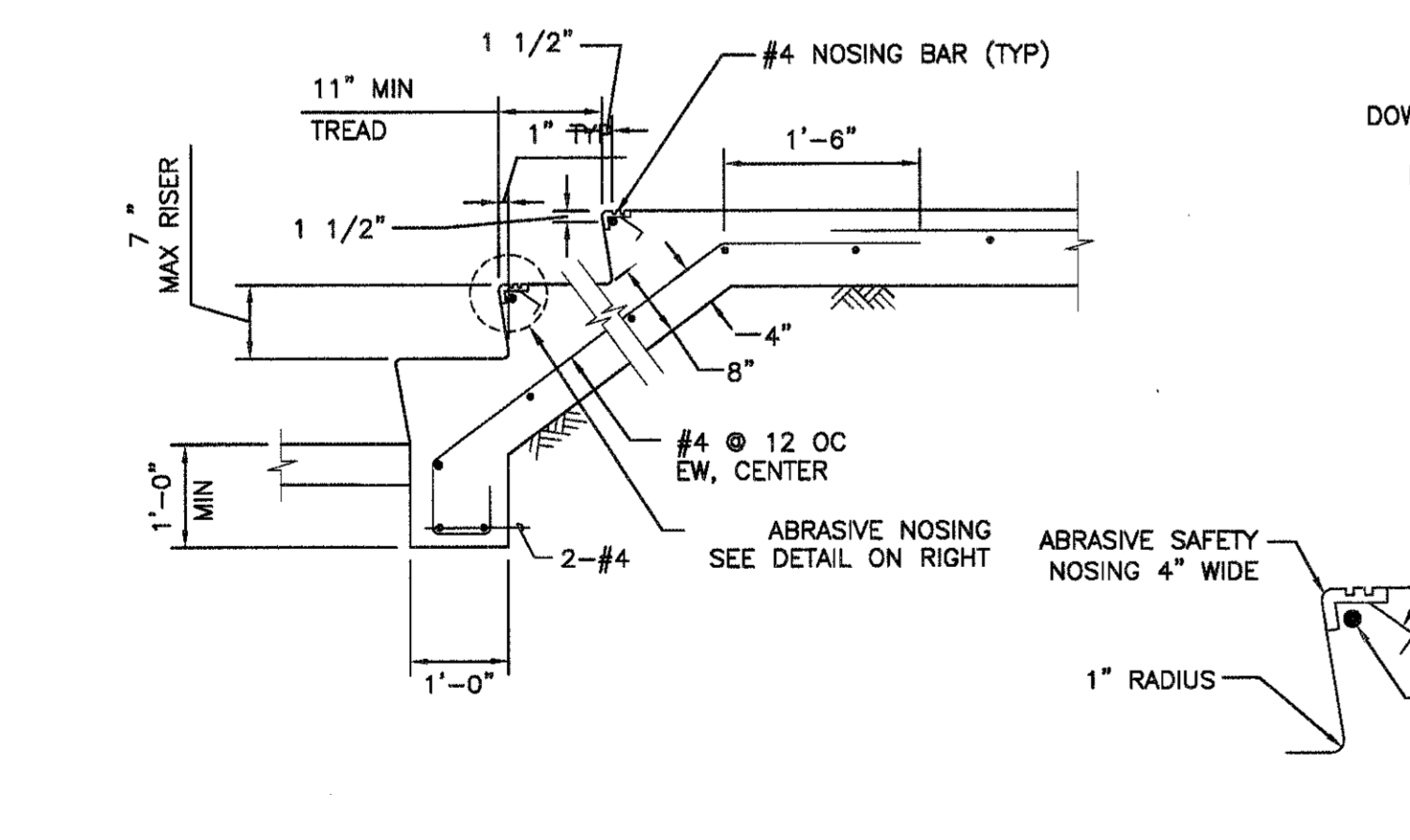
4 CONCRETE EQUIPMENT BASE PAD (ISOLATED)
SD-502



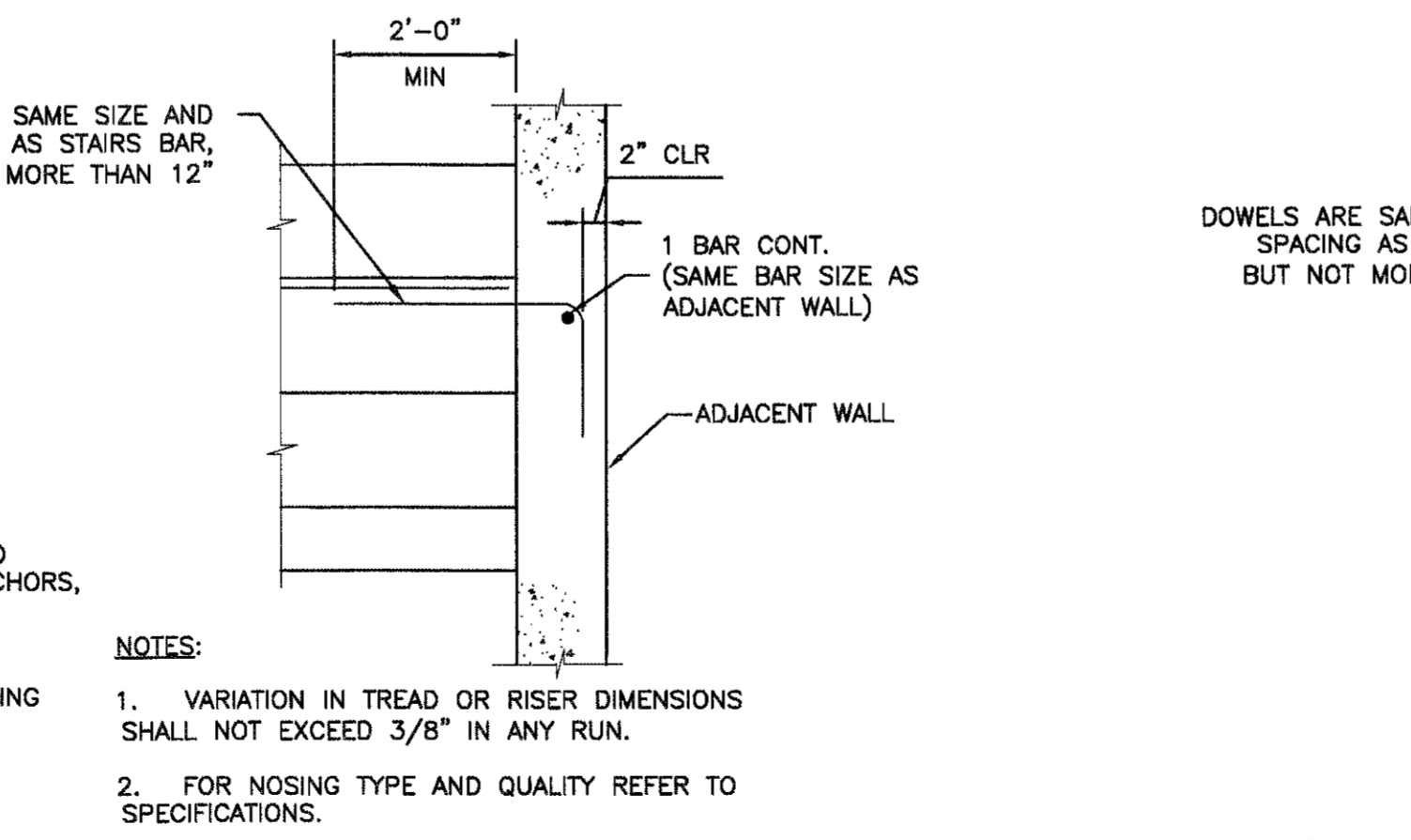
5 LADDER FOUNDATION AT PAVED AND UNPAVED AREA
SD-502



6 STAIRWAY FOUNDATION AT PAVED AND UNPAVED AREA
SD-502



7 TYPICAL CONCRETE STAIR ON GRADE
SD-502



8 TYPICAL CONCRETE STAIR DOWELED INTO FAR SIDE OF ADJACENT WALL
SD-502



PEACHTREE CREEK SOUTH FORK
RELIEF STORAGE AND PUMPING STATION
CITY OF ATLANTA
DEPARTMENT OF WATERSHED MANAGEMENT

REV	DATE	REVISION DESCRIPTION

THIS LINE IS ONE INCH LONG WHEN PLOTTED FULL SCALE
THIS DRAWING MUST BE USED IN CONJUNCTION WITH THE APPLICABLE OR GOVERNING TECHNICAL SPECIFICATIONS AND OTHER CONTRACT DOCUMENTS.
PROJECT NO: FC-6260
DATE: OCTOBER 2012
RESP PROF: FT DESIGNER: NSH CHECKER: DSF
SHEET TITLE
STRUCTURAL
STANDARD DETAILS
SHEET NO. SD-502 REV 0