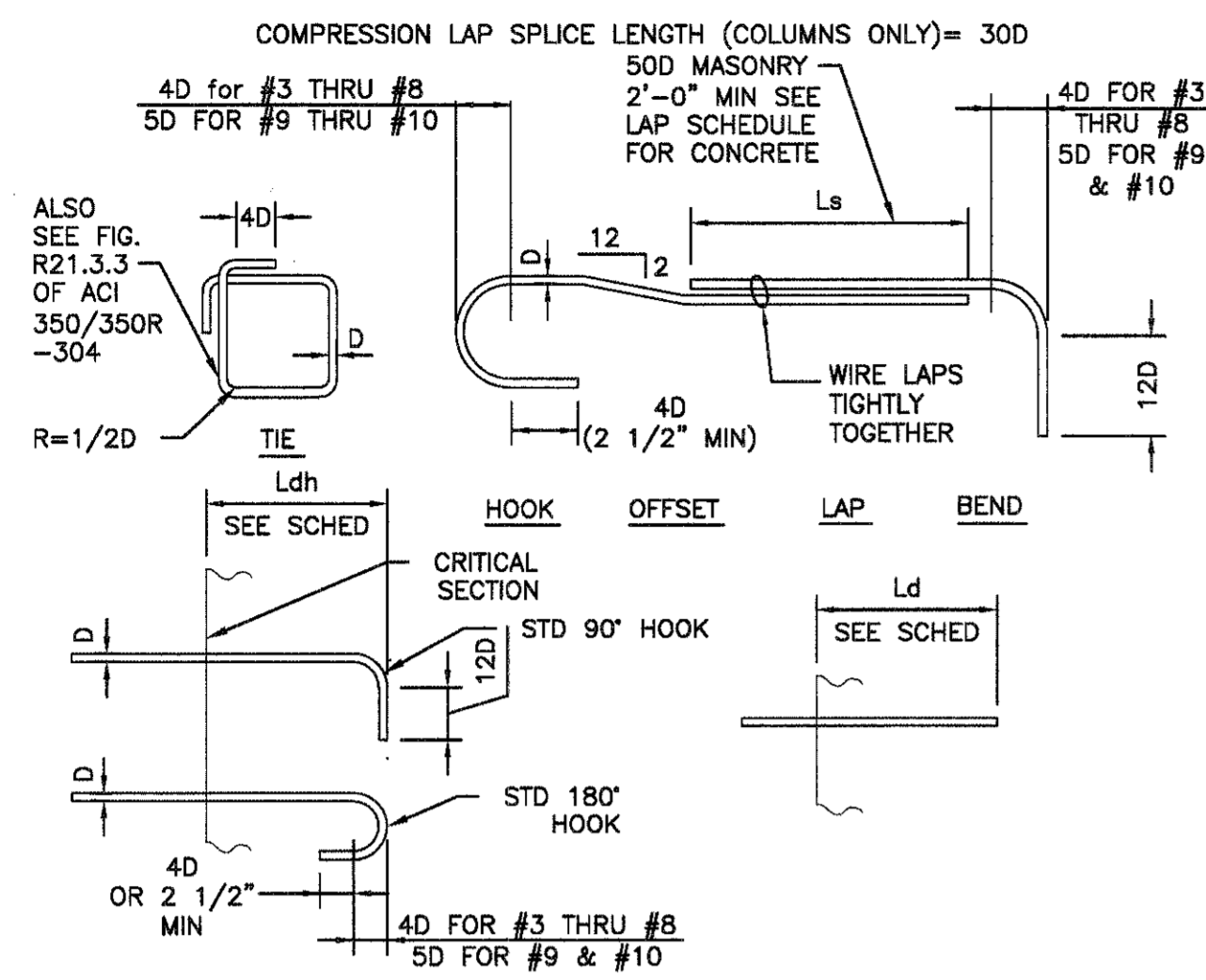
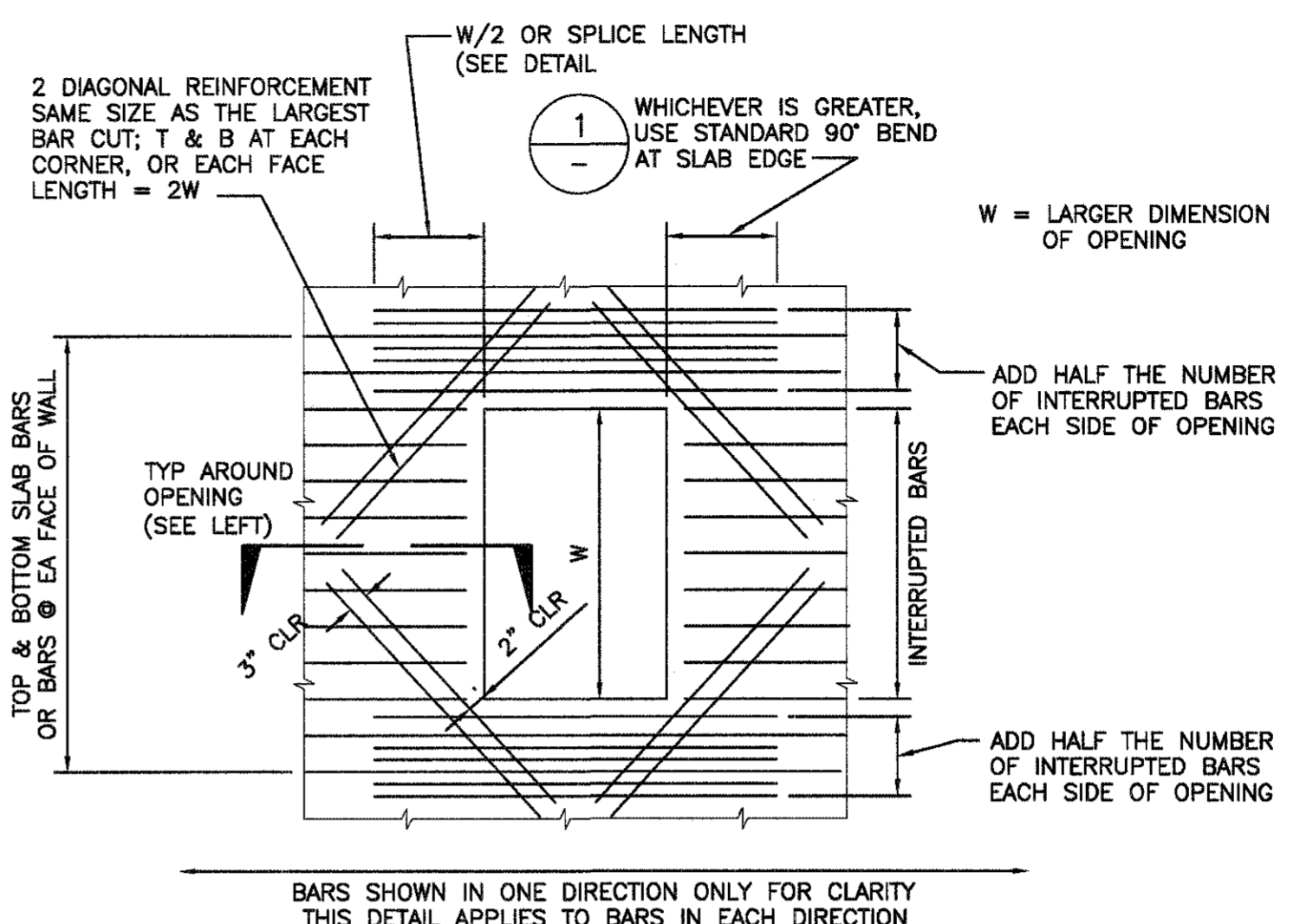


F



BAR SIZE	TENSION LAP SPLICE SCHEDULE - ALL SPLICES CLASS B				HOOK (Ldh) (IN)	
	Ld (IN) SEE NOTES 4 & 8		SPLICE LENGTH, Ls (IN)		SEE NOTES 1, 6 & 7	SEE NOTES 1 & 6
	TOP BARS	OTHER BARS	TOP BARS	OTHER BARS		
#3	20	15	25	20	6	8
#4	25	19	32	25	8	10
#5	31	24	40	31	10	12
#6	37	29	48	37	12	15
#7	54	42	70	54	14	17
#8	62	48	80	62	16	19
#9	70	54	91	70	20	22
#10	77	60	100	77	22	24
#11	85	66	111	85	24	26

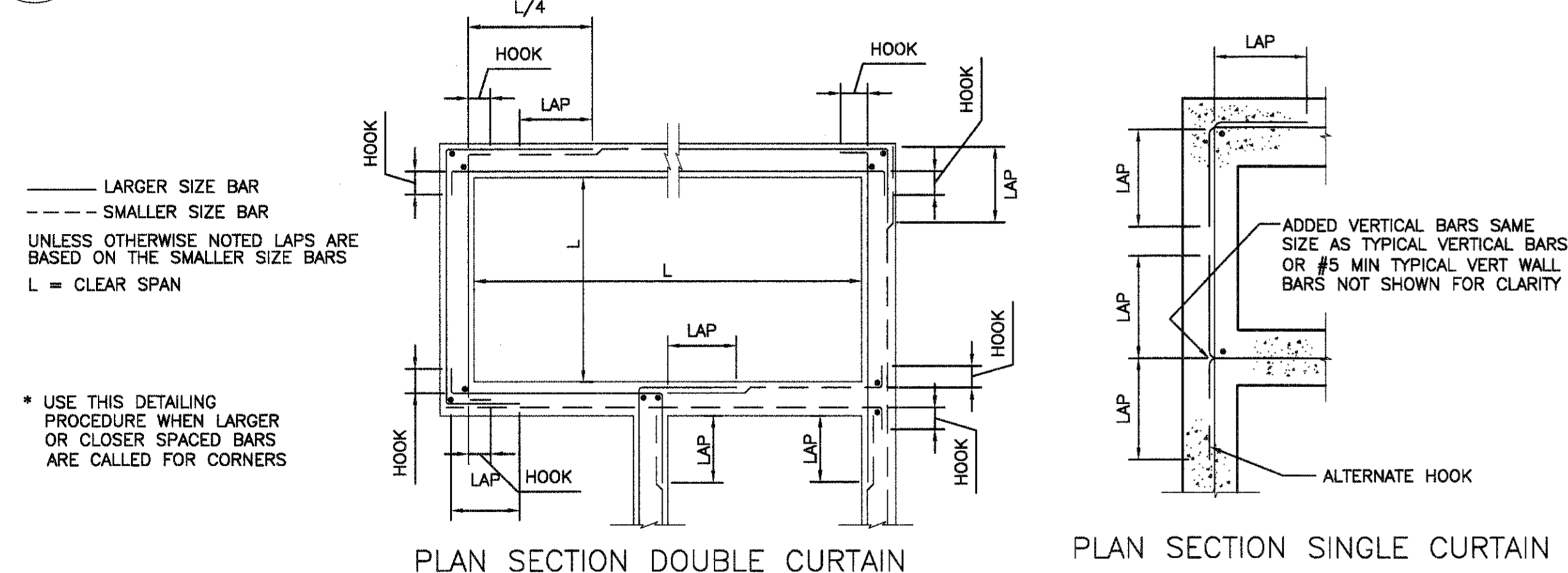
- $f_y = 60$  ksi;  $F_c = 4000$  psi
- CLEAR SPACING BETWEEN BARS BEING DEVELOPED OR SPLICED NOT LESS THAN D.
- CLEAR COVER NOT LESS THAN D.
- VALUES OF  $L_d$  AND CORRESPONDING SPLICE LENGTHS SHALL BE 1.4 TIMES THE TABULATED VALUE WHEN CLEAR SPACING BETWEEN BARS IS LESS THAN 3D, AND 2 TIMES THE TABULATED VALUE WHEN THE CLEAR SPACING BETWEEN BARS IS 2D OR LESS.
- CONFORMANCE WITH ACI 318-05, SECT 12.2.2.
- DEVELOPMENT LENGTH OF STANDARD HOOKS IN TENSION PER SECT 12.5.2 OF ACI 318-05.
- SIDE COVER FOR HOOK NOT LESS THAN 2 1/2 INCHES, AND FOR 90° HOOK.
- STIRRUPS AND TIES THROUGHOUT  $L_d$  NOT LESS THAN THE CODE MINIMUM.
- TIE OPTION SEE FIG. R21.3.3 OF ACI 350/350R-304



E

1 TYPICAL REINFORCING BAR DETAIL  
SD-501

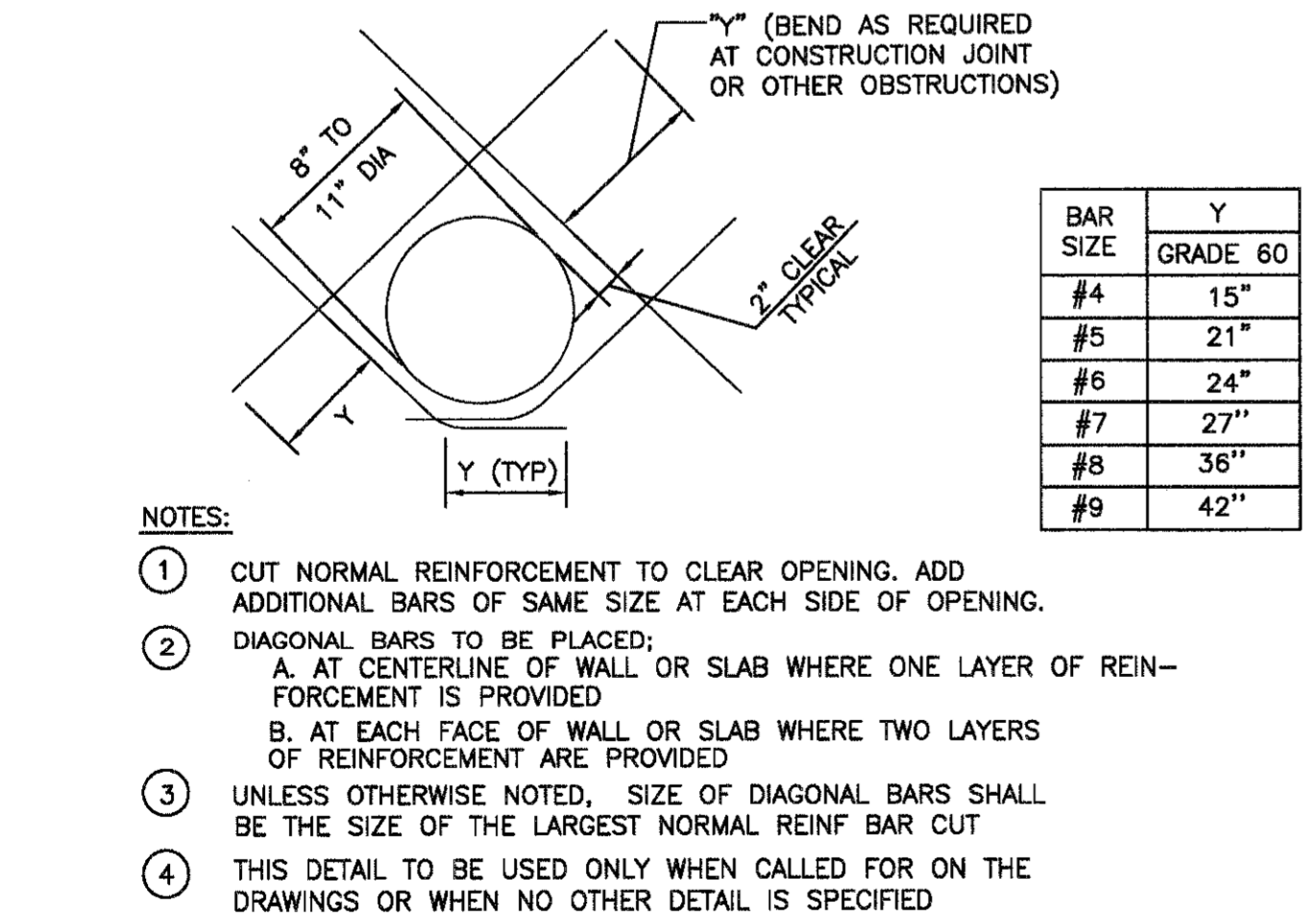
D



3 CONCRETE WALL CORNER AND INTERSECTION REINFORCING  
SD-501

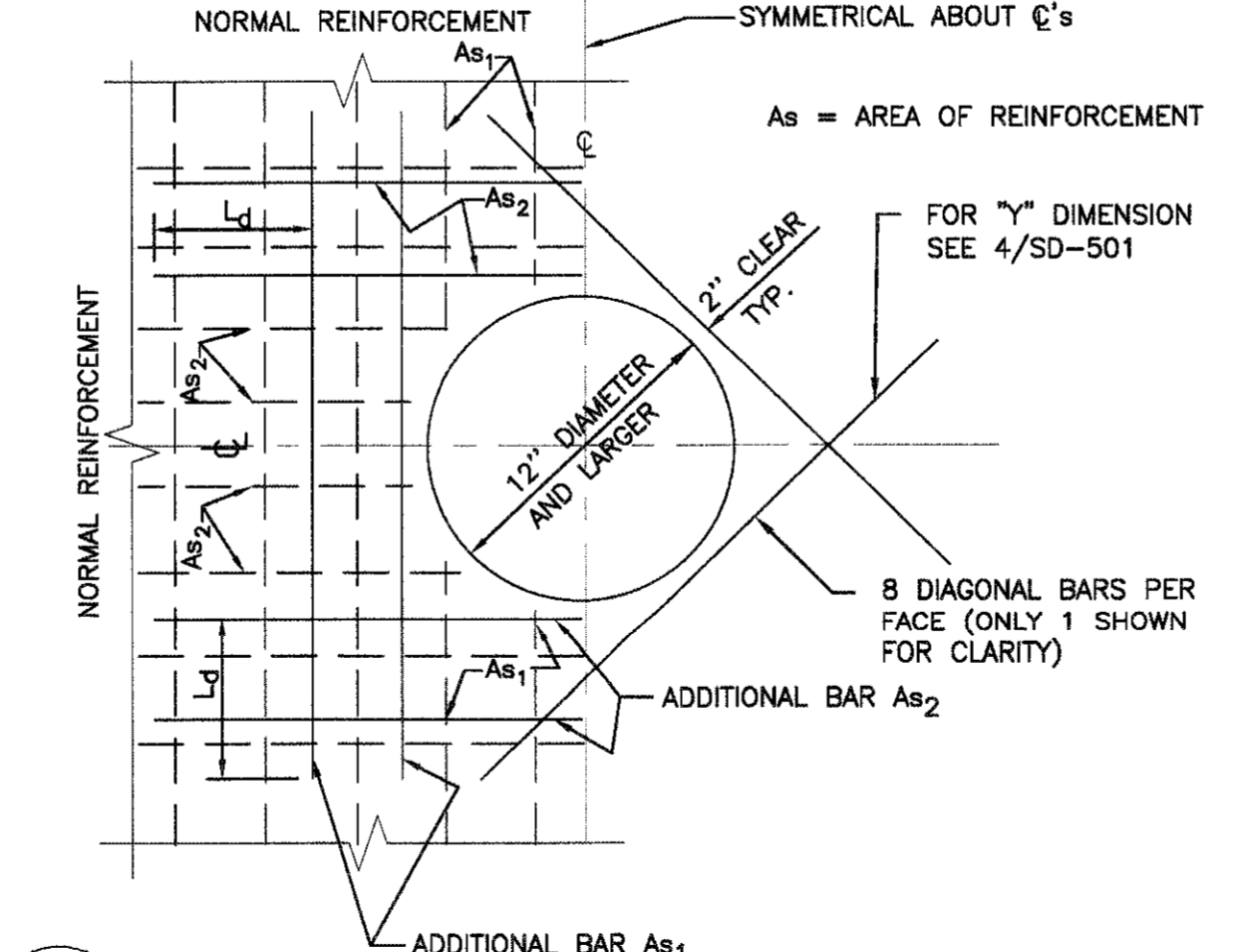
C

B

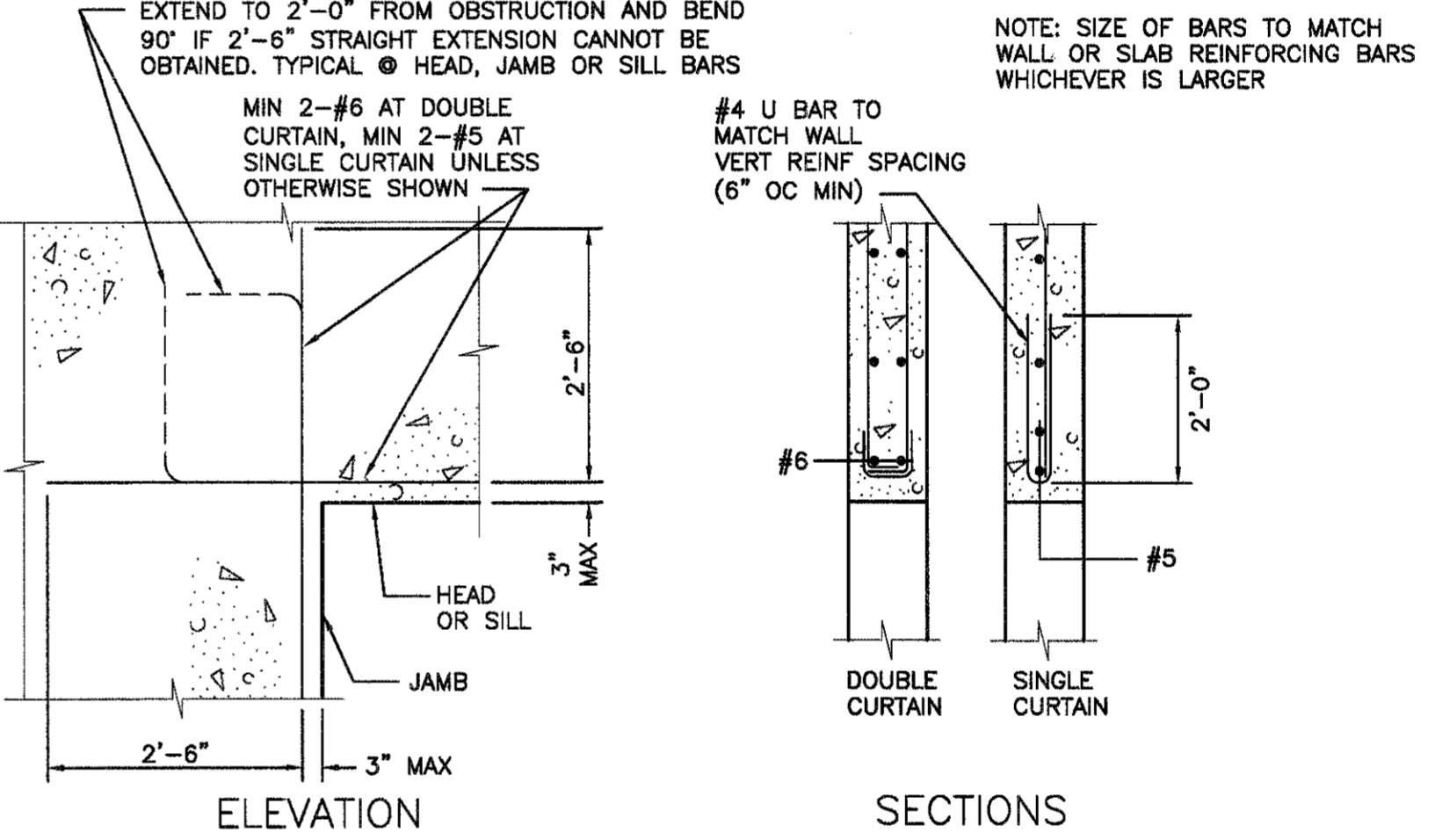


4 DIAGONAL REINFORCEMENT AT CIRCULAR OPENINGS (8"-11" DIA) AT WALL OR SLAB  
SD-501

A



5 ADDITIONAL REINFORCEMENT AT CIRCULAR OPENINGS (12" DIA OR LARGER)  
SD-501



2 TYPICAL RECTANGULAR OPENING REINFORCING AT SLAB AND WALL  
SD-501



PEACHTREE CREEK SOUTH FORK  
RELIEF STORAGE AND PUMPING STATION  
CITY OF ATLANTA  
DEPARTMENT OF WATERSHED MANAGEMENT

REV	DATE	REVISION DESCRIPTION

THIS LINE IS ONE INCH LONG WHEN PLOTTED FULL SCALE

THIS DRAWING MUST BE USED IN CONJUNCTION WITH THE APPLICABLE OR GOVERNING TECHNICAL SPECIFICATIONS AND OTHER CONTRACT DOCUMENTS.

PROJECT NO: FC-6260  
DATE: OCTOBER 2012  
RESP PROF: FT    DESIGNER: NSH    CHECKER: DSF

SHEET TITLE  
STRUCTURAL  
STANDARD DETAILS

SHEET NO. SD-501    REV. 0