

F

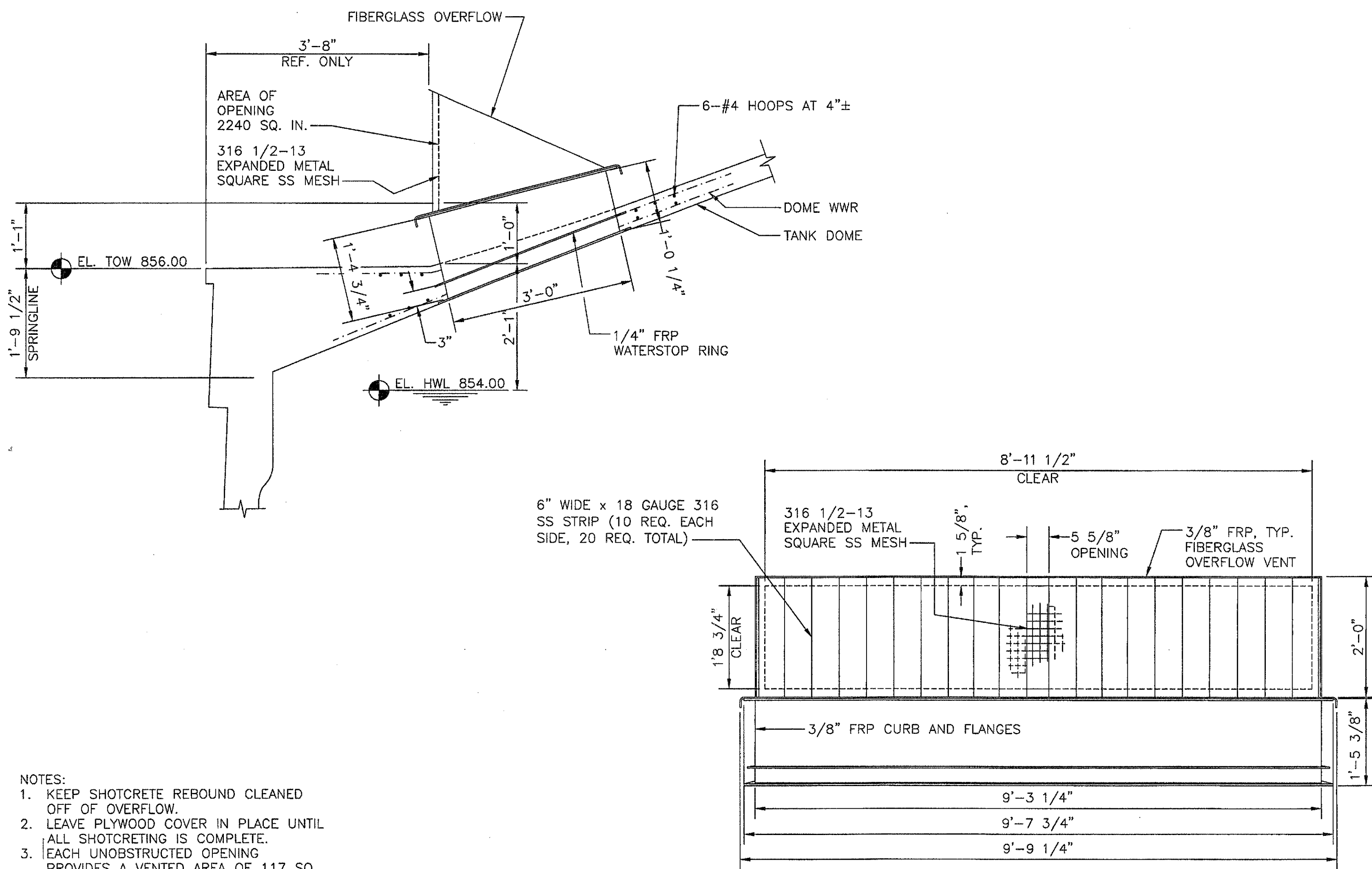
E

D

C

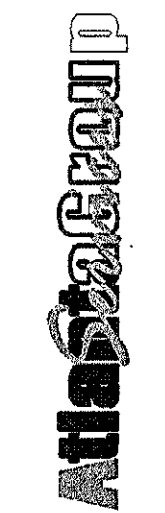
B

A




- NOTES:
1. KEEP SHOTCRETE REBOUND CLEANED OFF OF OVERFLOW.
 2. LEAVE PLYWOOD COVER IN PLACE UNTIL ALL SHOTCRETING IS COMPLETE.
 3. EACH UNOBSTRUCTED OPENING PROVIDES A VENTED AREA OF 117 SQ. IN. TOTAL UNOBSTRUCTED OPEN AREA FOR ALL OVERFLOWS IS 936 SQ. IN.
 4. ODOR CONTROL FLAPS REQUIRED TO MINIMIZE AIR FLOW.

#2240 FIBERGLASS OVERFLOW (6 REQ.)



PEACHTREE CREEK SOUTH FORK
RELIEF STORAGE AND PUMPING STATION



CITY OF ATLANTA
DEPARTMENT OF WATERSHED MANAGEMENT

REV	DATE	REVISION DESCRIPTION
0	10/28/12	100 PERCENT BID PACKAGE

THIS LINE IS ONE INCH LONG WHEN PLOTTED FULL SCALE

THIS DRAWING MUST BE USED IN CONJUNCTION WITH THE APPLICABLE OR GOVERNING TECHNICAL SPECIFICATIONS AND OTHER CONTRACT DOCUMENTS.

PROJECT NO: FC-6260

DATE: OCTOBER 2012

RESP PROF:	DESIGNER:	CHECKER:
CROM	CROM	DSF

SHEET TITLE

STRUCTURAL

08 - EQUALIZATION TANK

DETAILS

SHEET NO.	S8-509	REV.	0
-----------	--------	------	---

