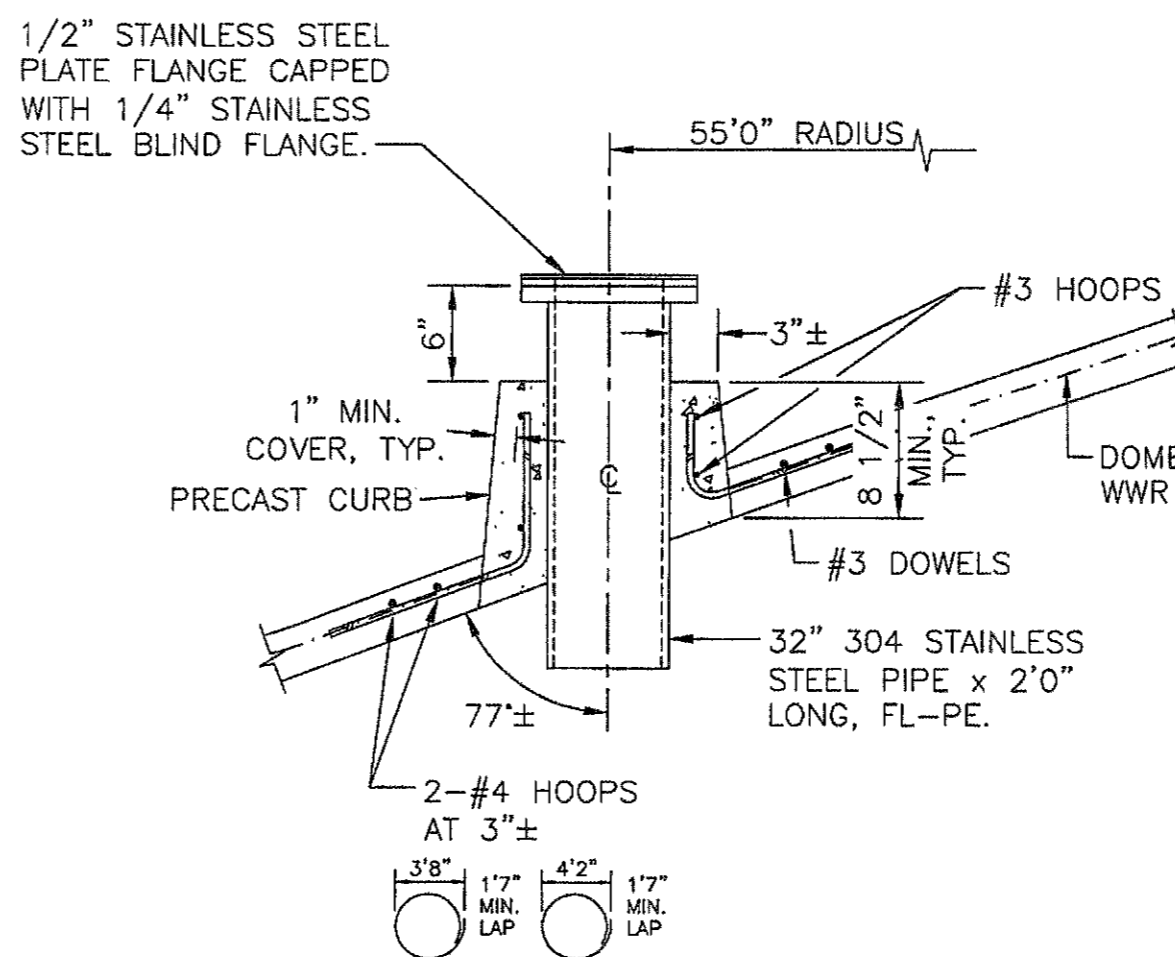


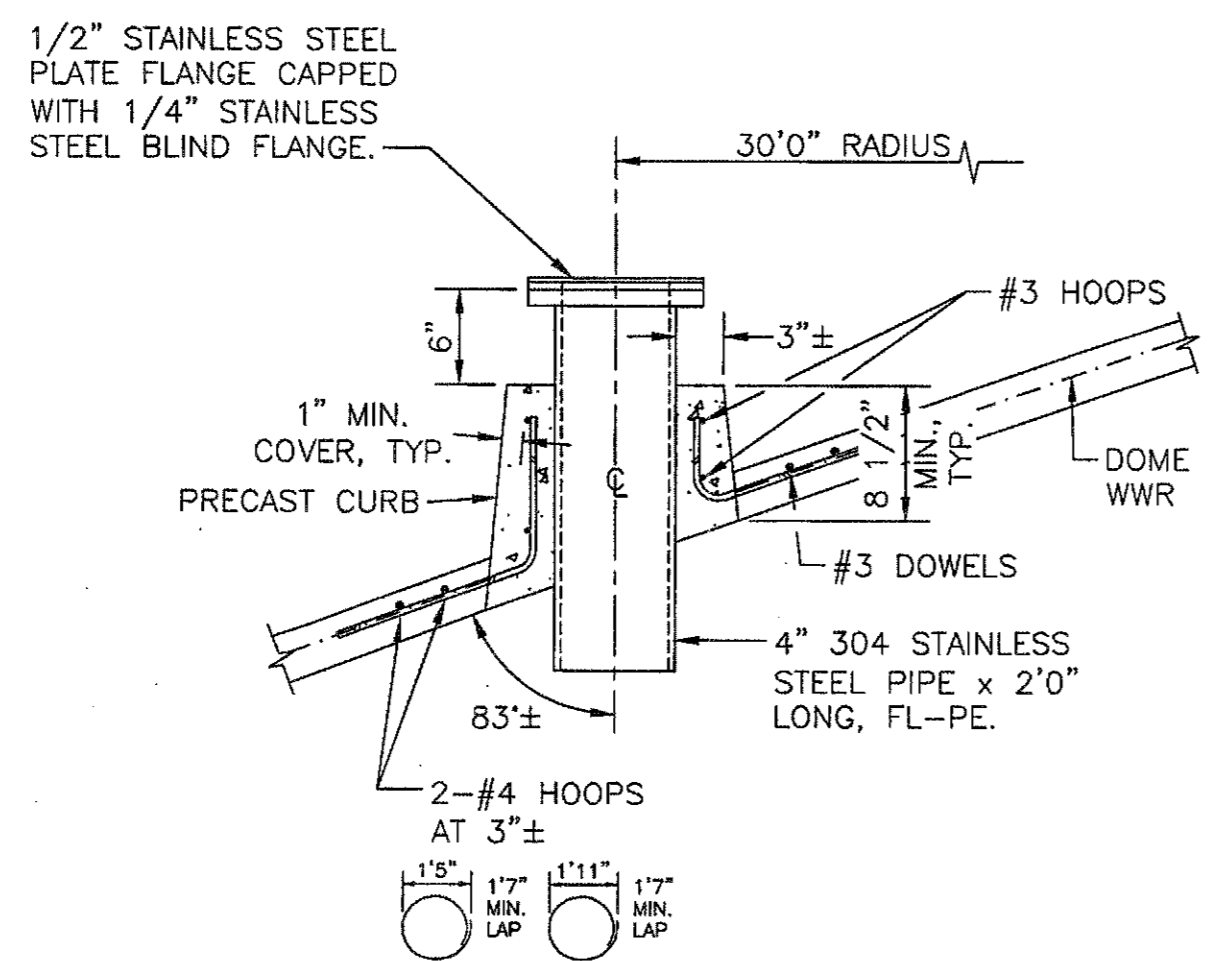
- NOTES:
1. PLACE PIPE PLUMB.
  2. USE 1 1/8" DIA. x 2 1/2" LONG SSHHMB FOR BLIND FLANGE

24" STAINLESS STEEL DOME PROBE CURB FOR 24" FRP ODOR CONTROL  
NTS



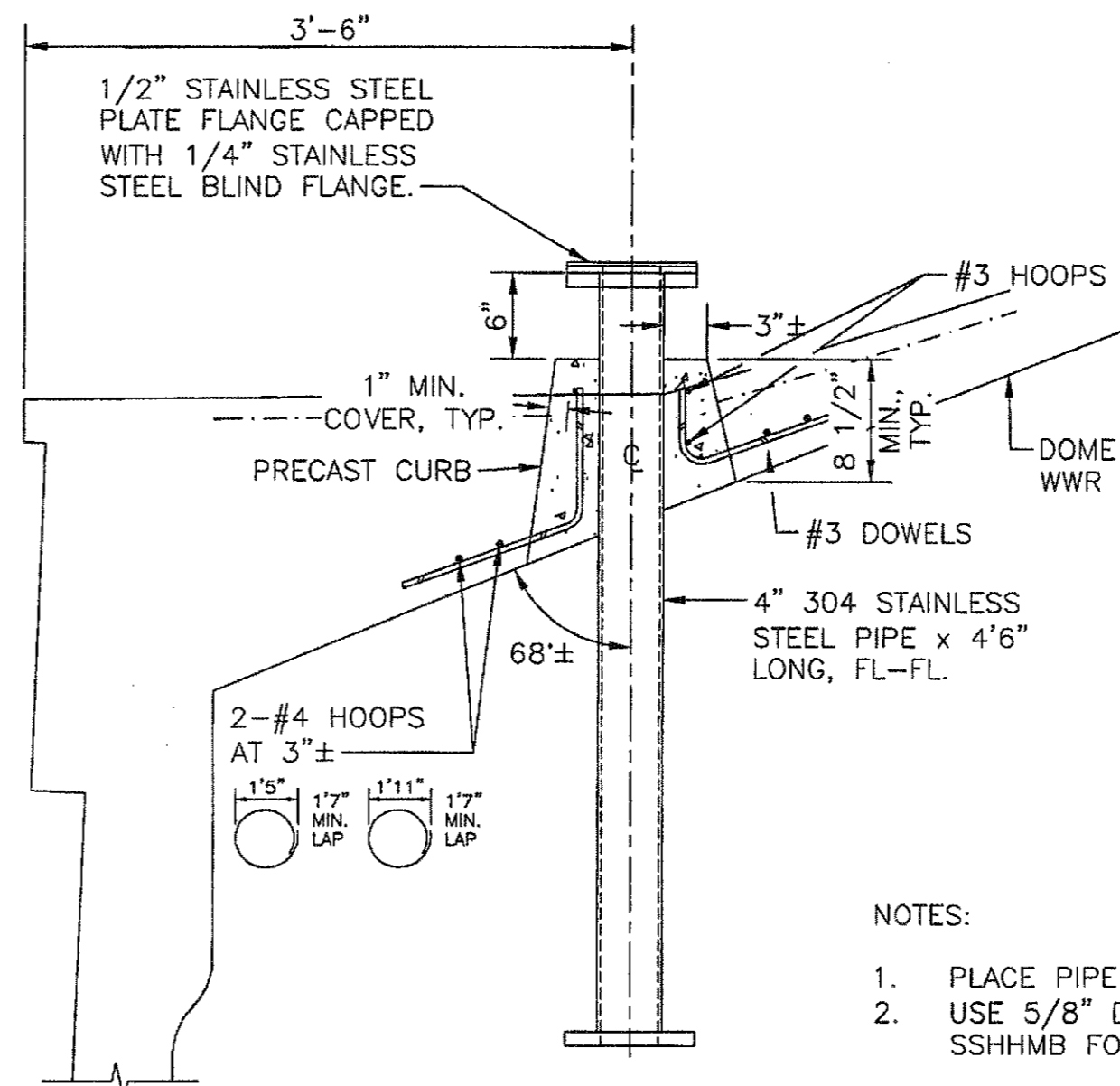
- NOTES:
1. PLACE PIPE PLUMB.
  2. USE 1 1/4" DIA. x 2 1/2" LONG SSHHMB FOR BLIND FLANGE

32" STAINLESS STEEL DOME PROBE CURB FOR 32" FRP ODOR CONTROL  
NTS



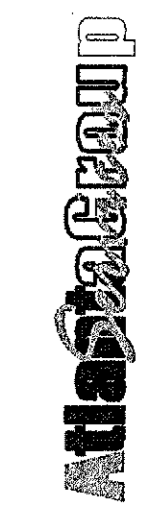
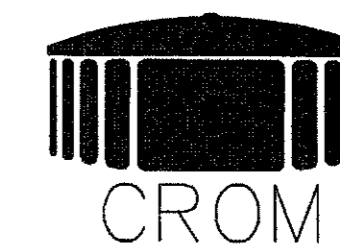
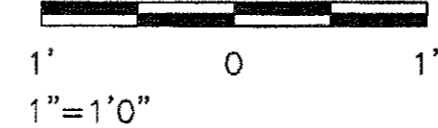
- NOTES:
1. PLACE PIPE PLUMB.
  2. USE 5/8" DIA. x 2" LONG SSHHMB FOR BLIND FLANGE

4" STAINLESS STEEL DOME PROBE CURB FOR RADAR LEVEL SENSOR  
NTS



- NOTES:
1. PLACE PIPE PLUMB.
  2. USE 5/8" DIA. x 2" LONG SSHHMB FOR BLIND FLANGE

4" STAINLESS STEEL DOME PROBE CURB FOR WATER CANNON (4 REQ.)



PEACHTREE CREEK SOUTH FORK RELIEF STORAGE AND PUMPING STATION



CITY OF ATLANTA

DEPARTMENT of WATERSHED MANAGEMENT

REV	DATE	REVISION DESCRIPTION
0	10/28/12	100 PERCENT BID PACKAGE

THIS LINE IS ONE INCH LONG WHEN PLOTTED FULL SCALE

THIS DRAWING MUST BE USED IN CONJUNCTION WITH THE APPLICABLE OR GOVERNING TECHNICAL SPECIFICATIONS AND OTHER CONTRACT DOCUMENTS.

PROJECT NO: FC-6260  
DATE: OCTOBER 2012

RESP PROF:	DESIGNER:	CHECKER:
CROM	CROM	DSF

SHEET TITLE  
STRUCTURAL  
08 - EQUALIZATION TANK  
DETAILS

SHEET NO.	REV.
S8-507	0