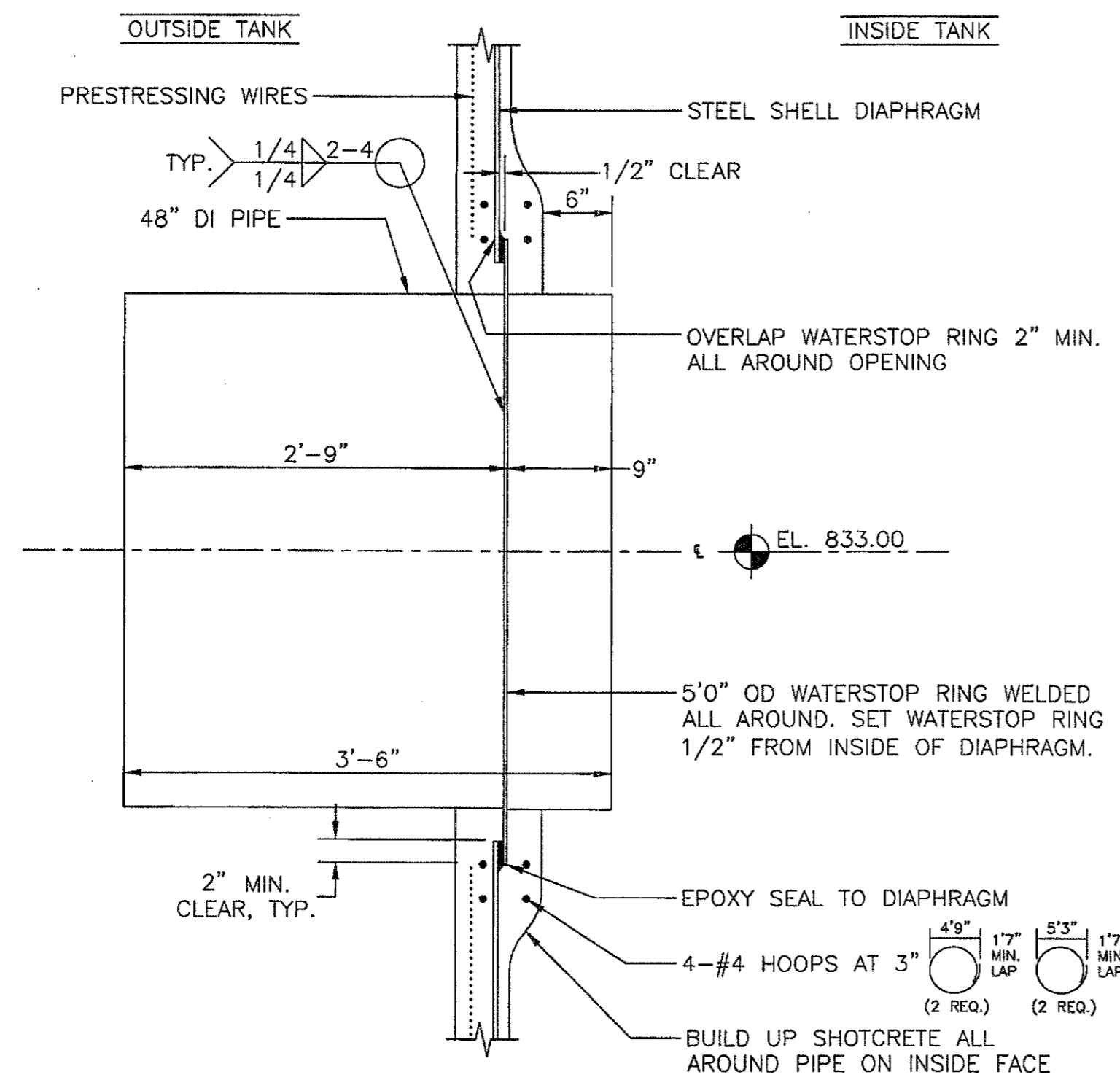
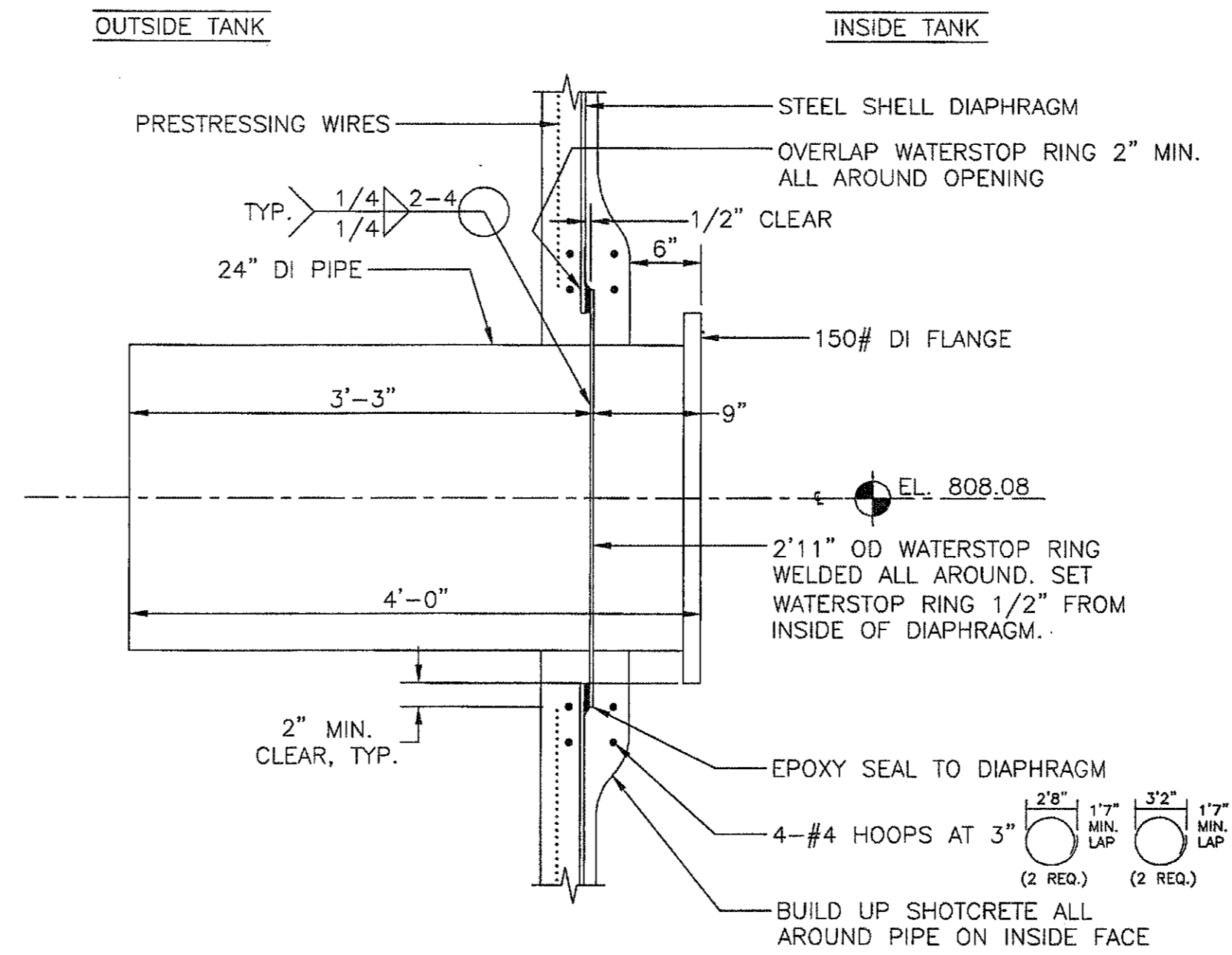


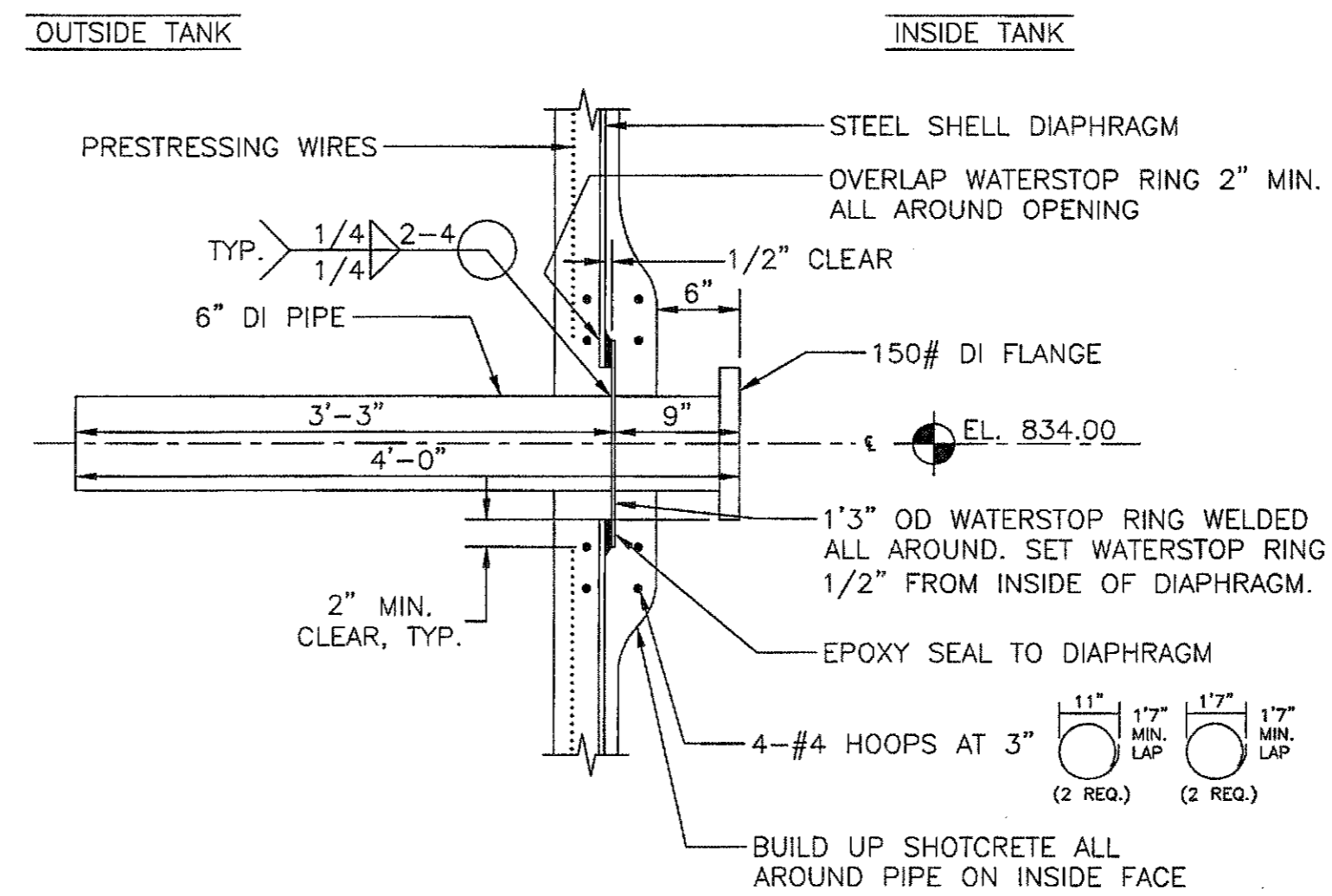
4" DIP WALL PIPE FL-FL FOR WATER CANNON CONNECTION (4 REQ.)



42" DIP WALL PIPE PE-PE FOR INLET DROP VORTEX CONNECTION



24" DIP WALL PIPE FL-PE FOR MIXING SYSTEM CONNECTION (2 REQ.)



6" DIP WALL PIPE FL-PE FOR NPW WASH-DOWN HEADER SYSTEM CONNECTION (8 REQ.)



PEACHTREE CREEK SOUTH FORK RELIEF STORAGE AND PUMPING STATION



CITY OF ATLANTA

DEPARTMENT of WATERSHED MANAGEMENT

REV	DATE	DESCRIPTION
0	10/29/12	100 PERCENT BID PACKAGE

THIS LINE IS ONE INCH LONG WHEN PLOTTED FULL SCALE  
 THIS DRAWING MUST BE USED IN CONJUNCTION WITH THE APPLICABLE OR GOVERNING TECHNICAL SPECIFICATIONS AND OTHER CONTRACT DOCUMENTS.  
 PROJECT NO: FC-6260  
 DATE: OCTOBER 2012  
 RESP PROF: CROM DESIGNER: CROM CHECKER: DSF

SHEET TITLE  
 STRUCTURAL  
 08 - EQUALIZATION TANK  
 DETAILS

SHEET NO. S8-503 REV. 0

