

F

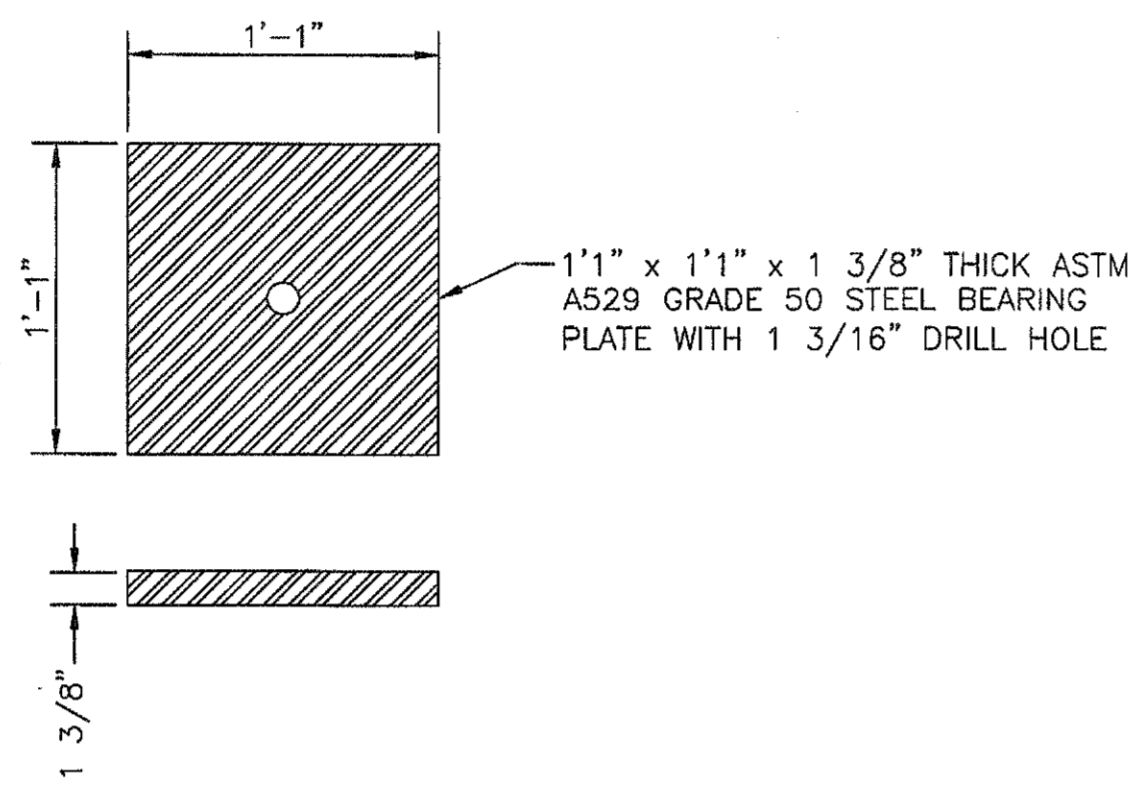
E

D

C

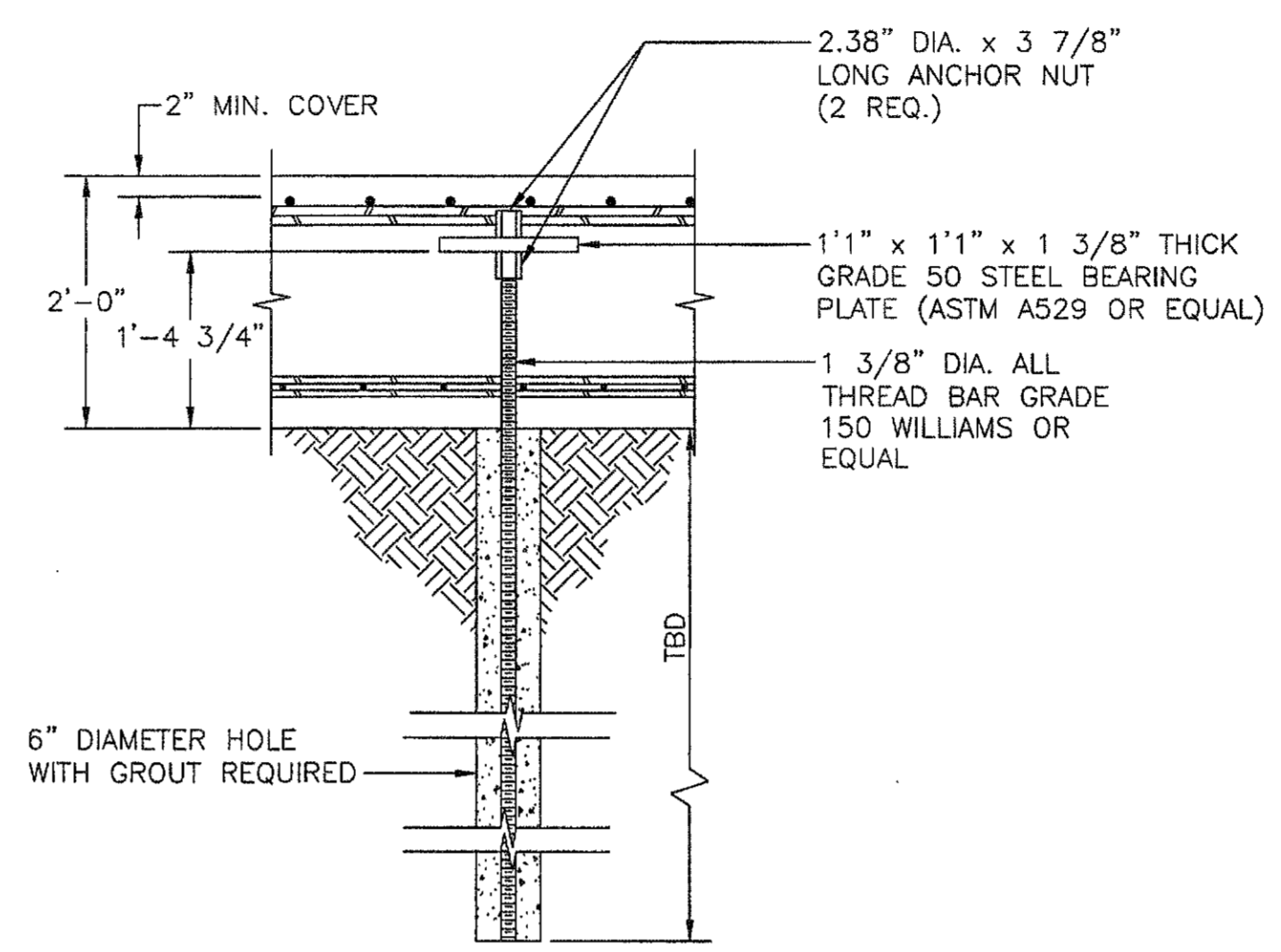
B

A



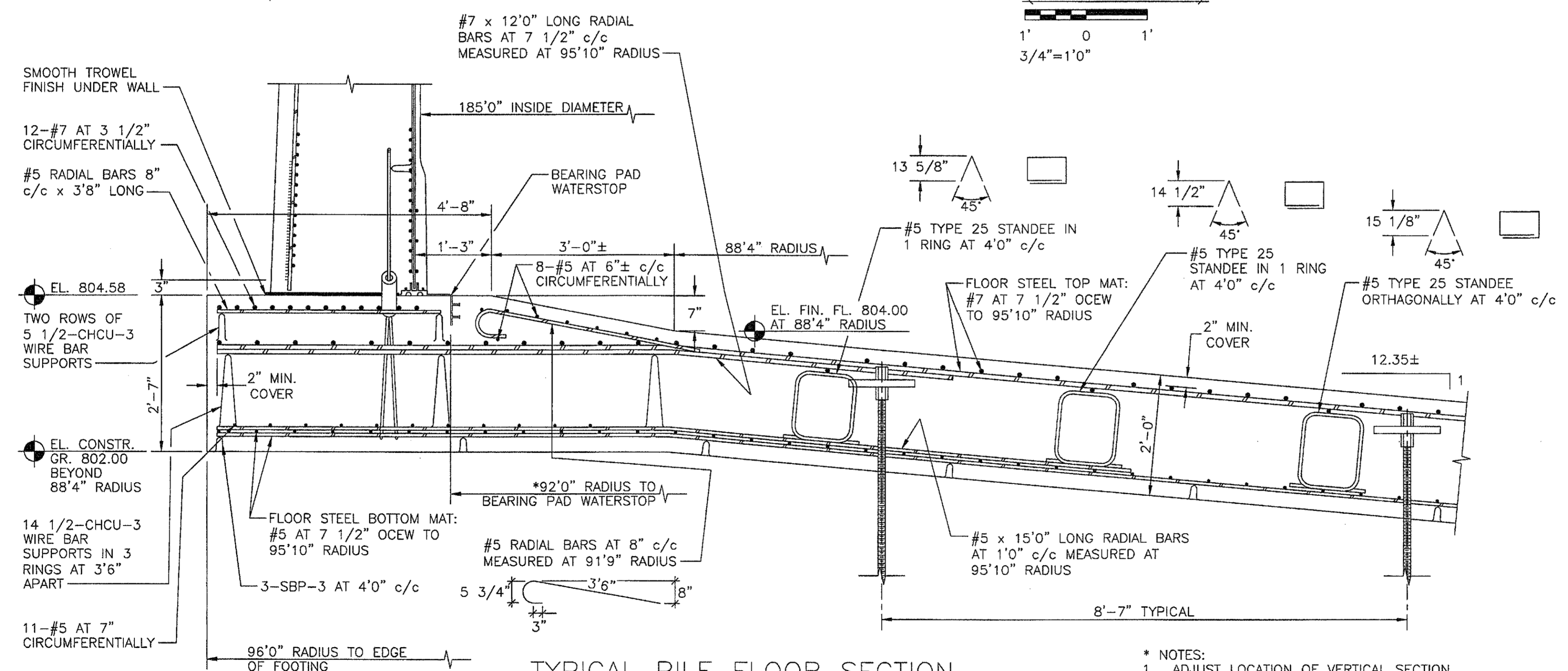
STEEL BEARING PLATE

1 1/2"=1'0"



TYPICAL ROCK ANCHOR (BY OTHERS)

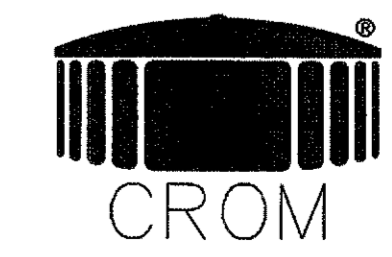
3/4"=1'0"



TYPICAL PILE FLOOR SECTION

3/4"=1'0"

* NOTES:
1. ADJUST LOCATION OF VERTICAL SECTION OF BEARING PAD WATERSTOP TO ASSURE HORIZONTAL SECTION LAYS FLAT AND DIAPHRAGM GROOVE IS CORRECTLY LOCATED.



PEACHTREE CREEK SOUTH FORK RELIEF STORAGE AND PUMPING STATION
CITY OF ATLANTA
DEPARTMENT OF WATERSHED MANAGEMENT

REV	DATE	REVISION DESCRIPTION
0	10/28/12	100 PERCENT BID PACKAGE

THIS LINE IS ONE INCH LONG WHEN PLOTTED FULL SCALE
THIS DRAWING MUST BE USED IN CONJUNCTION WITH THE APPLICABLE OR GOVERNING TECHNICAL SPECIFICATIONS AND OTHER CONTRACT DOCUMENTS.

PROJECT NO: FC-6260
DATE: OCTOBER 2012

RESP PROF: CROM	DESIGNER: CROM	CHECKER: DSF
-----------------	----------------	--------------

SHEET TITLE: STRUCTURAL
08 - EQUALIZATION TANK SECTIONS

SHEET NO. S8-302	REV. 0
------------------	--------