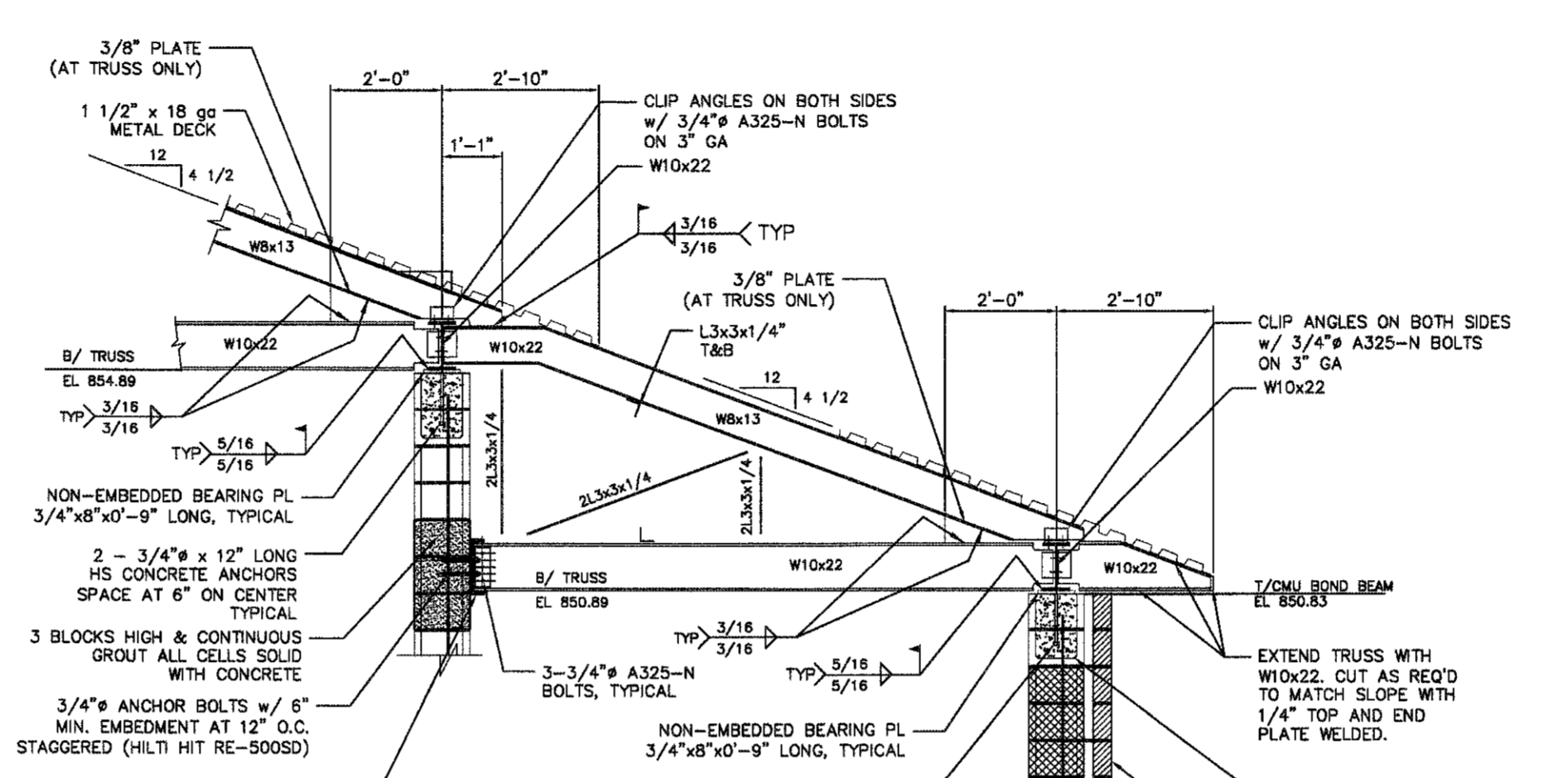
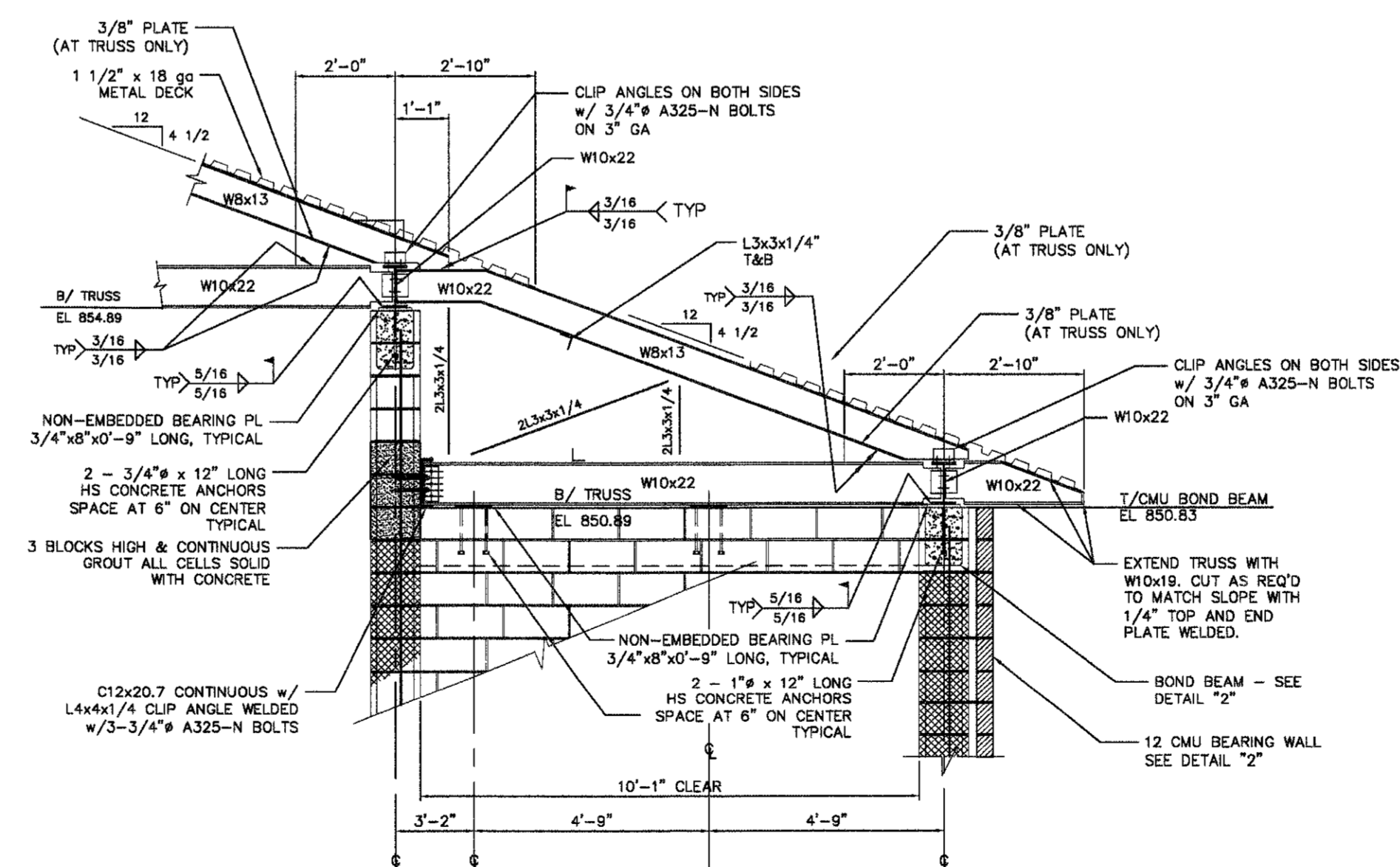


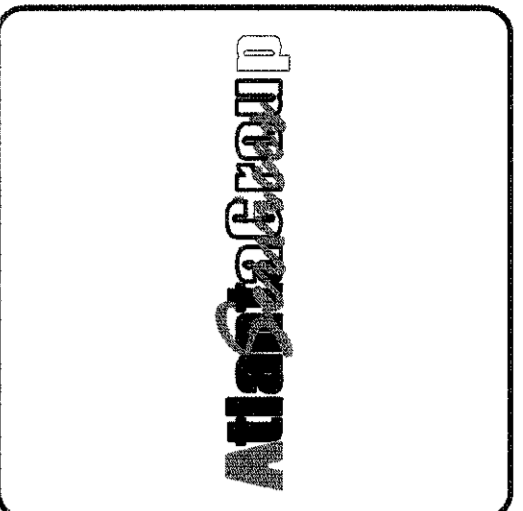
1 DETAIL  
S7-503 SCALE: 3/16" = 1'-0"



2 DETAIL  
S7-503 SCALE: 3/16" = 1'-0"



3 DETAIL  
S7-503 SCALE: 3/16" = 1'-0"



PEACHTREE CREEK SOUTH FORK  
RELIEF STORAGE AND PUMPING STATION  
CITY OF ATLANTA  
DEPARTMENT of WATERSHED MANAGEMENT

REV	DATE	REVISION DESCRIPTION

THIS LINE IS ONE INCH LONG WHEN PLOTTED FULL SCALE  
THIS DRAWING MUST BE USED IN CONJUNCTION WITH THE APPLICABLE GOVERNING TECHNICAL SPECIFICATIONS AND OTHER CONTRACT DOCUMENTS.  
PROJECT NO: FC-6260  
DATE: OCTOBER 2012  
RESP PROF: FT DESIGNER: FT CHECKER: DSF

SHEET TITLE  
STRUCTURAL  
07 - JET MIX PUMP STATION  
ROOF FRAMING DETAILS