

1 2 3 4 5 6 7 8

F

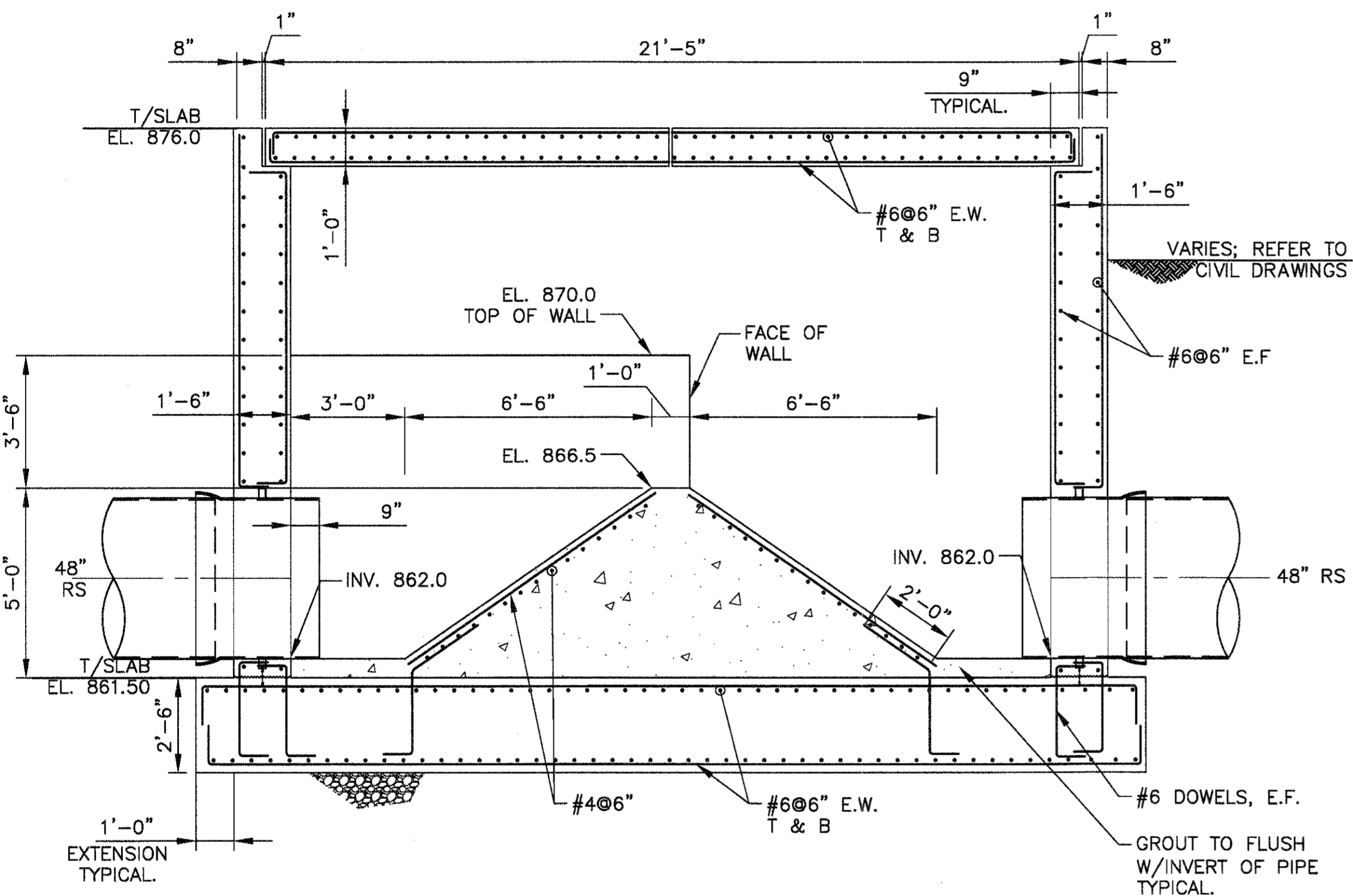
E

D

C

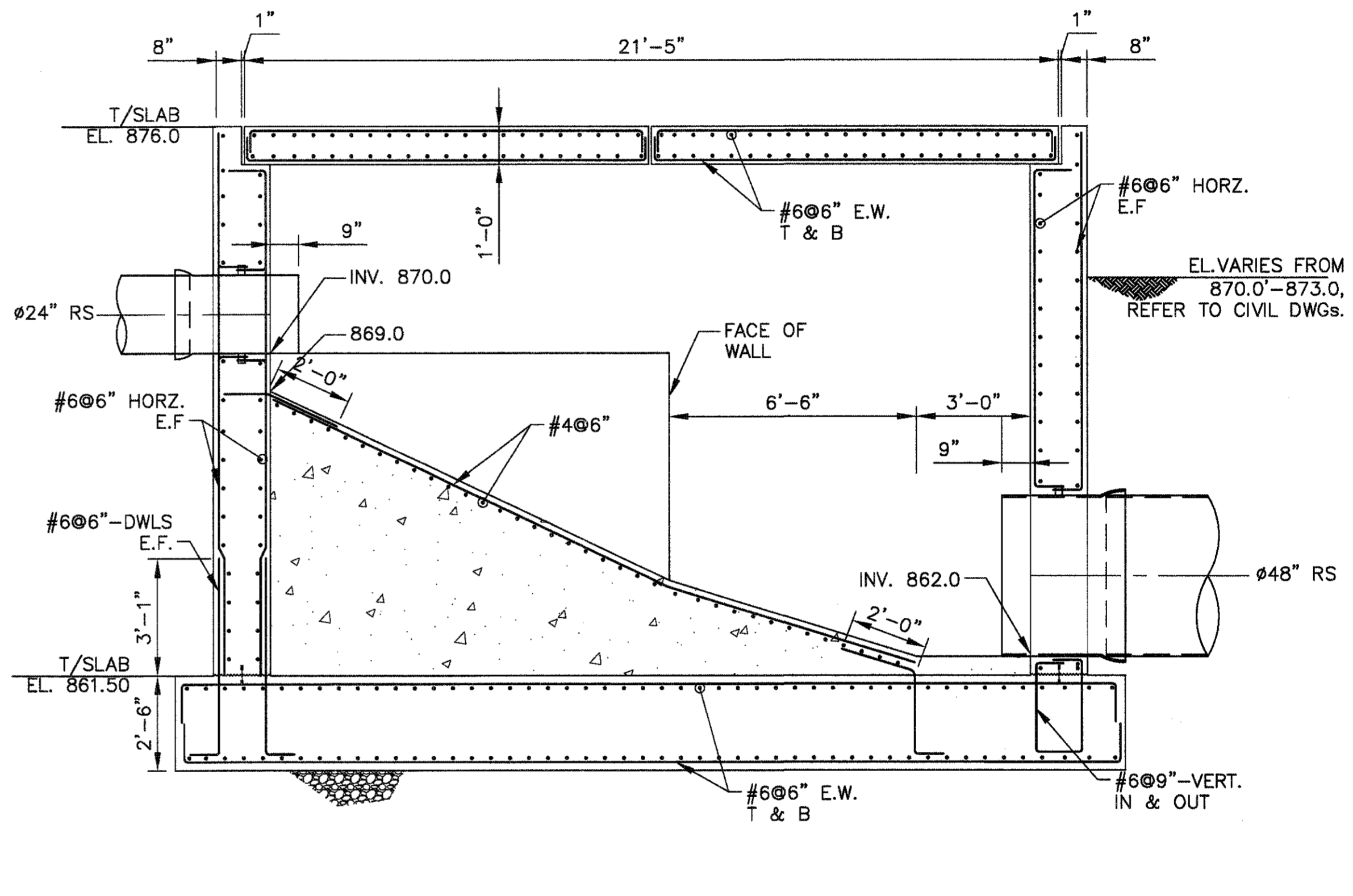
B

A

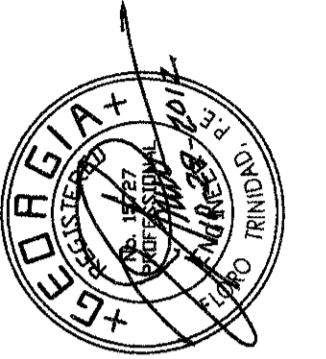


**A SECTION**  
S5-301 SCALE: 3/8" = 1'-0"

NOTE:  
1. SEAL OR GASKET BETWEEN WALLS AND REMOVABLE SLAB IS REQUIRED.



**B SECTION**  
S5-301 SCALE: 3/8" = 1'-0"



PEACHTREE CREEK SOUTH FORK  
RELIEF STORAGE AND PUMPING STATION  
CITY OF ATLANTA  
DEPARTMENT OF WATERSHED MANAGEMENT

REV	DATE	REVISION DESCRIPTION
0	10/29/12	100 PERCENT BID PACKAGE

THIS LINE IS ONE INCH LONG WHEN PLOTTED FULL SCALE.  
THIS DRAWING MUST BE USED IN CONJUNCTION WITH THE APPLICABLE OR GOVERNING TECHNICAL SPECIFICATIONS AND OTHER CONTRACT DOCUMENTS.  
PROJECT NO: FC-6260  
DATE: OCTOBER 2012  
RESP PROF: FT DESIGNER: NSH CHECKER: DSF  
SHEET TITLE: STRUCTURAL 05 - CHESHIRE BRIDGE JUNCTION CHAMBER SECTION  
SHEET NO. S5-301 REV. 0