

1 2 3 4 5 6 7 8

F

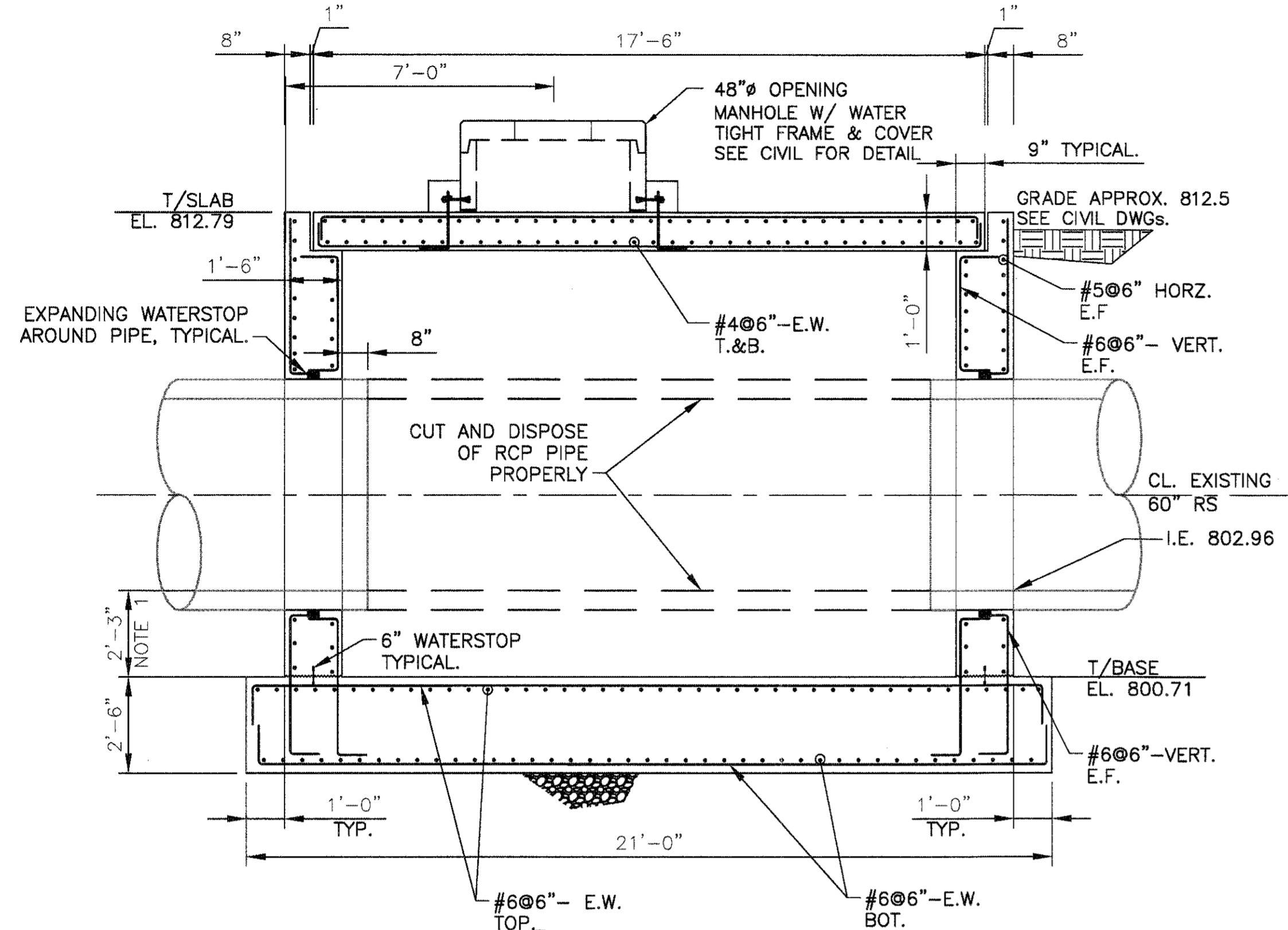
E

D

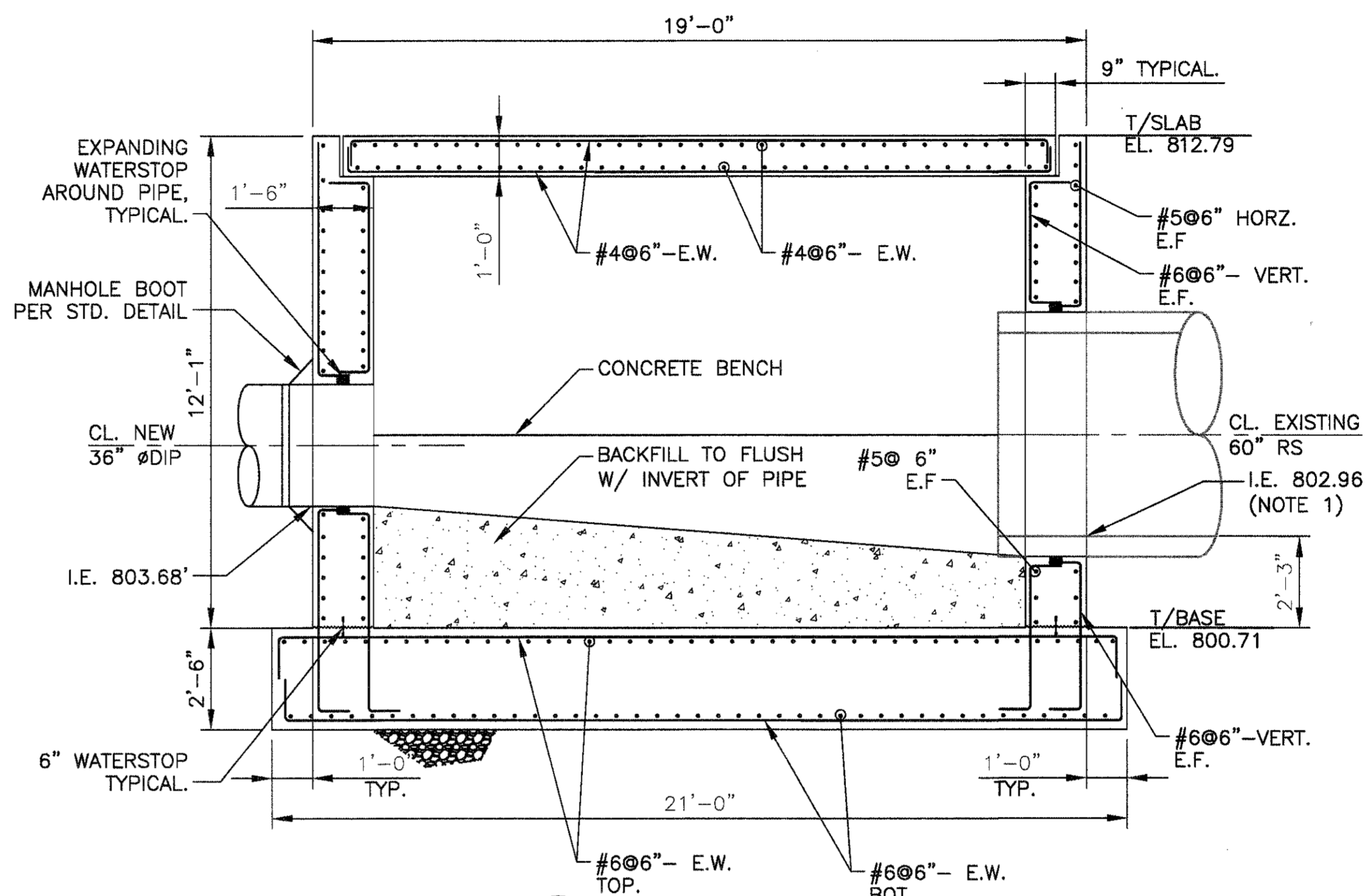
C

B

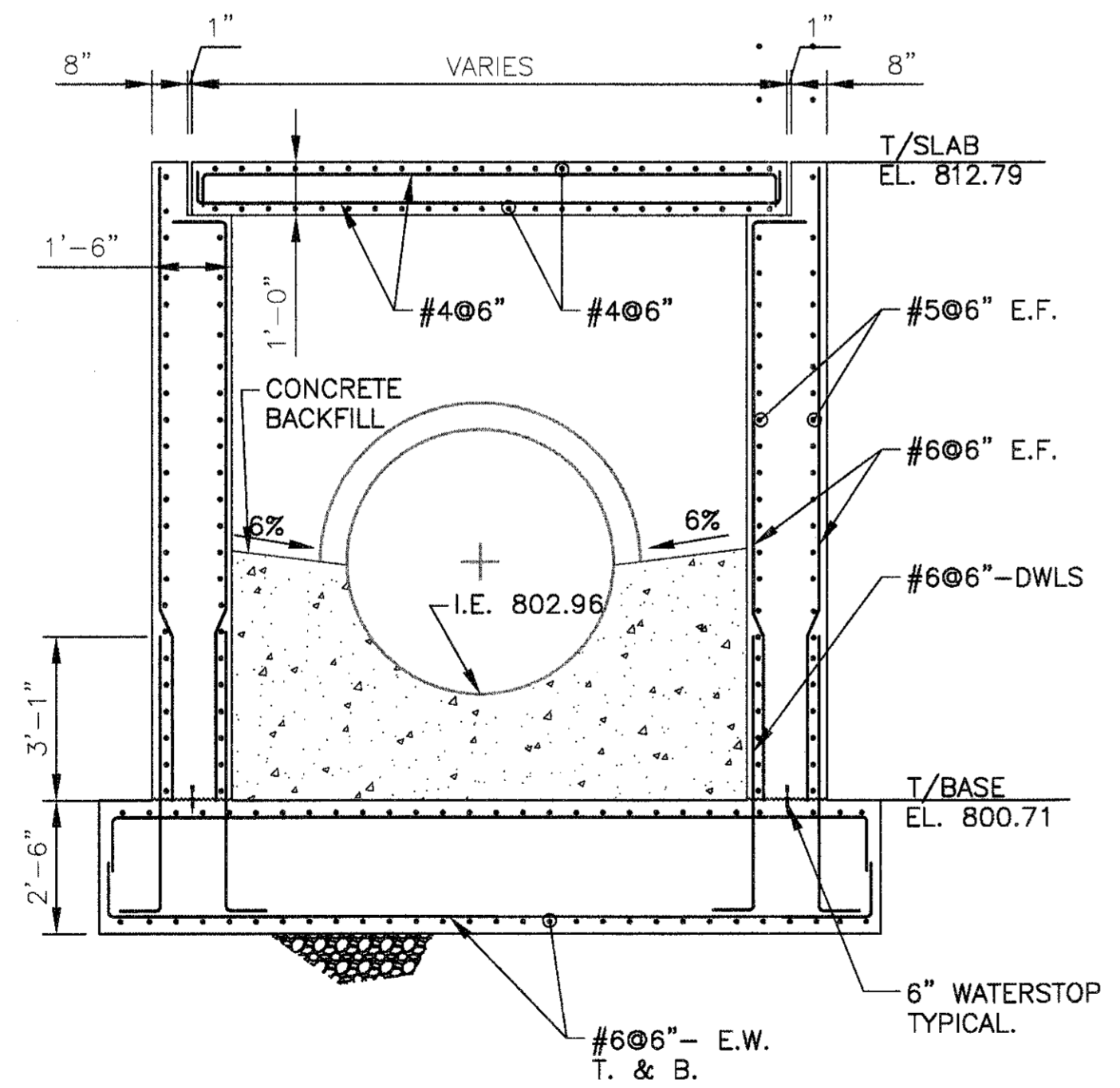
A



A SECTION
S4-301 SCALE: 3/8" = 1'-0"

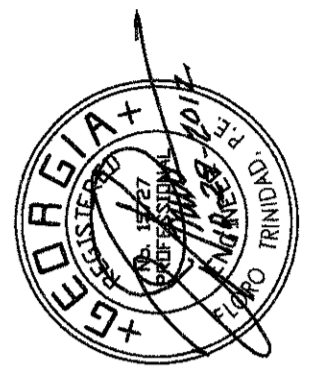


B SECTION
S4-301 SCALE: 3/8" = 1'-0"



C SECTION
S4-301 SCALE: 3/8" = 1'-0"

NOTE:
1. INVERT ELEVATION TAKEN FROM RECORD DRAWINGS AND SURVEY OF UP AND DOWNSTREAM STRUCTURES. CONTRACTOR SHALL MEASURE EXISTING INVERTS PRIOR TO STRUCTURE CONSTRUCTION AND NOTIFY ENGINEER. CONTRACTOR SHALL MATCH EXISTING PIPE INVERTS IN STRUCTURES.



PEACHTREE CREEK SOUTH FORK
RELIEF STORAGE AND PUMPING STATION
CITY OF ATLANTA
DEPARTMENT OF WATERSHED MANAGEMENT

REV	DATE	REVISION DESCRIPTION
0	10/28/12	100 PERCENT BID PACKAGE

THIS LINE IS ONE INCH LONG WHEN PLOTTED FULL SCALE	
THIS DRAWING MUST BE USED IN CONJUNCTION WITH THE APPLICABLE OR GOVERNING TECHNICAL SPECIFICATIONS AND OTHER CONTRACT DOCUMENTS.	
PROJECT NO:	FC-6260
DATE:	OCTOBER 2012
RESP PROF:	FT
DESIGNER:	NSH
CHECKER:	DSF
SHEET TITLE	
STRUCTURAL	
04 - FLOW RETURN STRUCTURE	
SECTIONS	
SHEET NO.	S4-301
REV.	0