

1 2 3 4 5 6 7 8

F

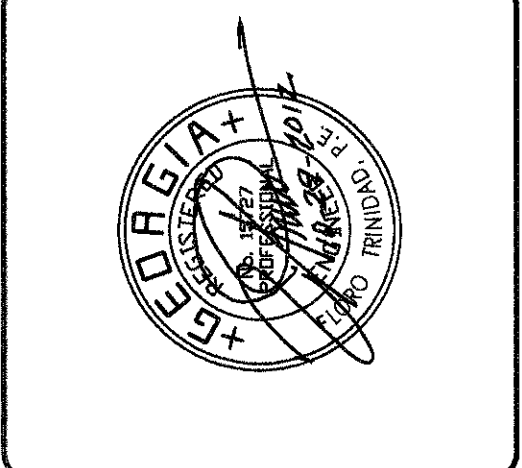
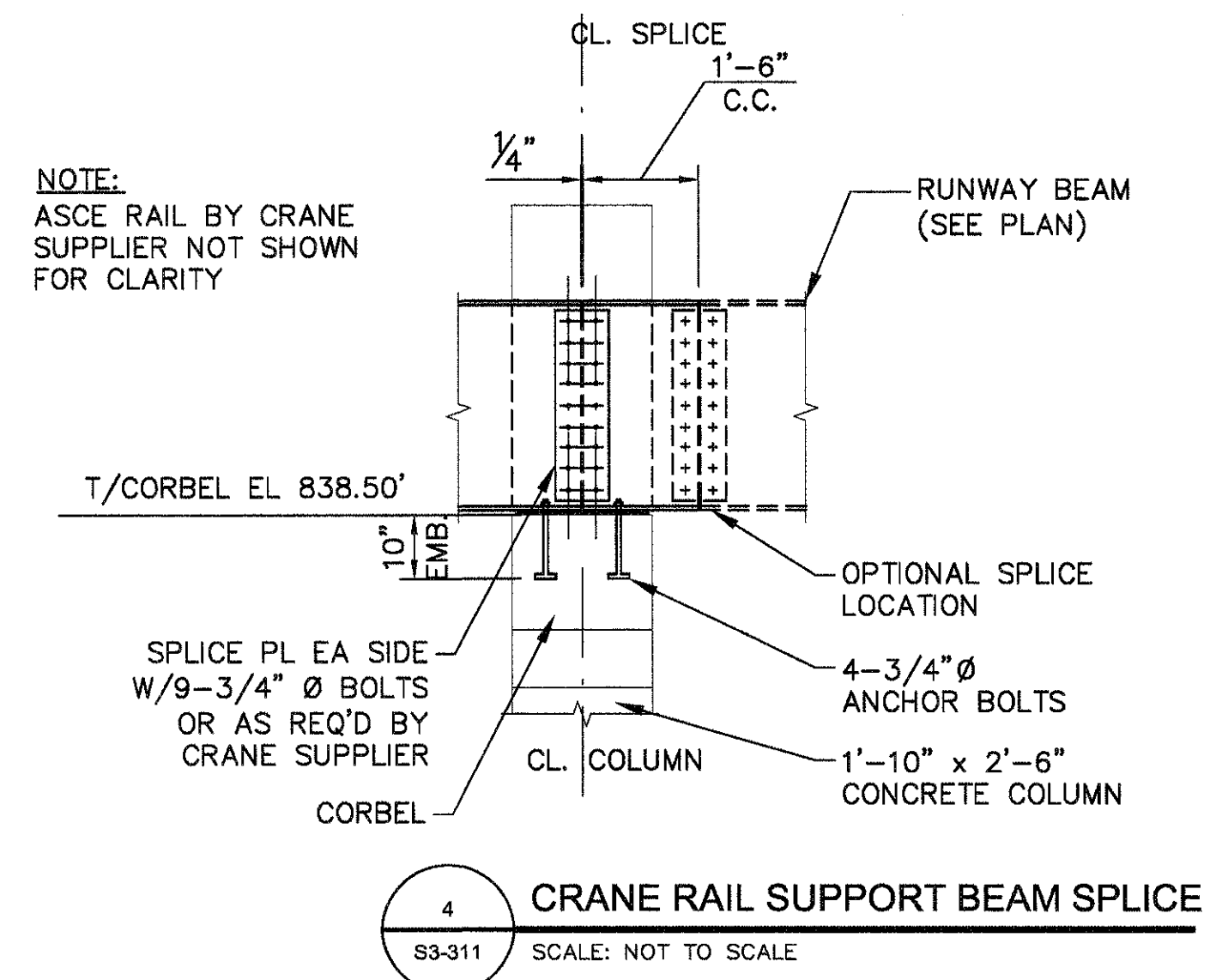
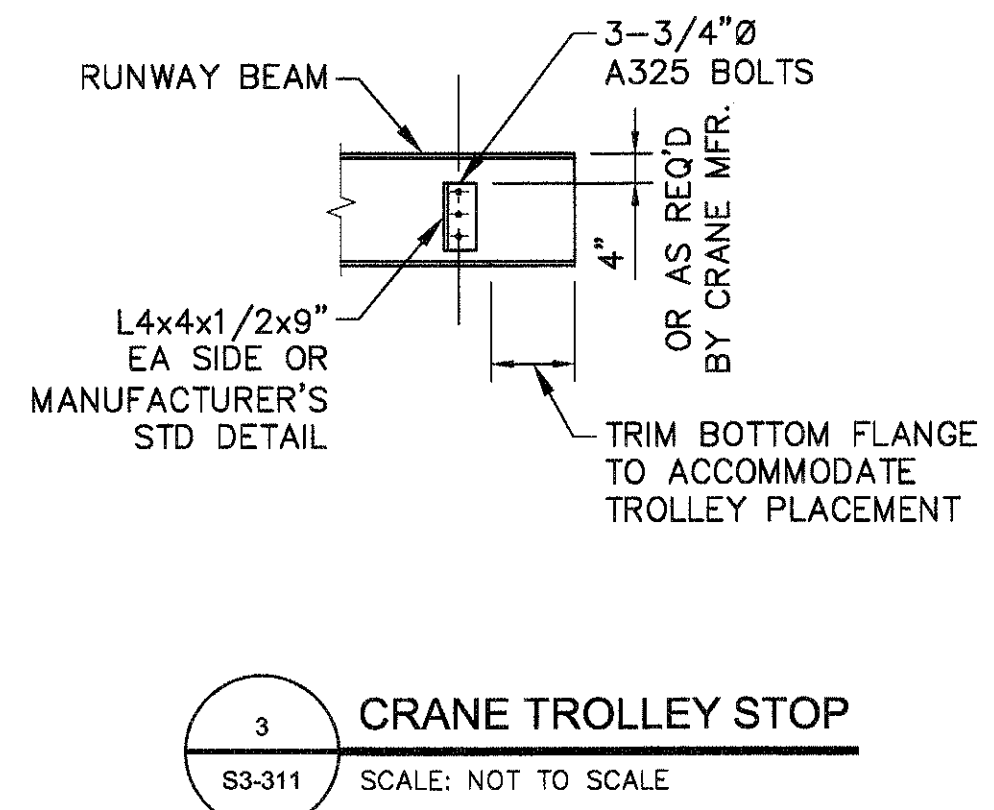
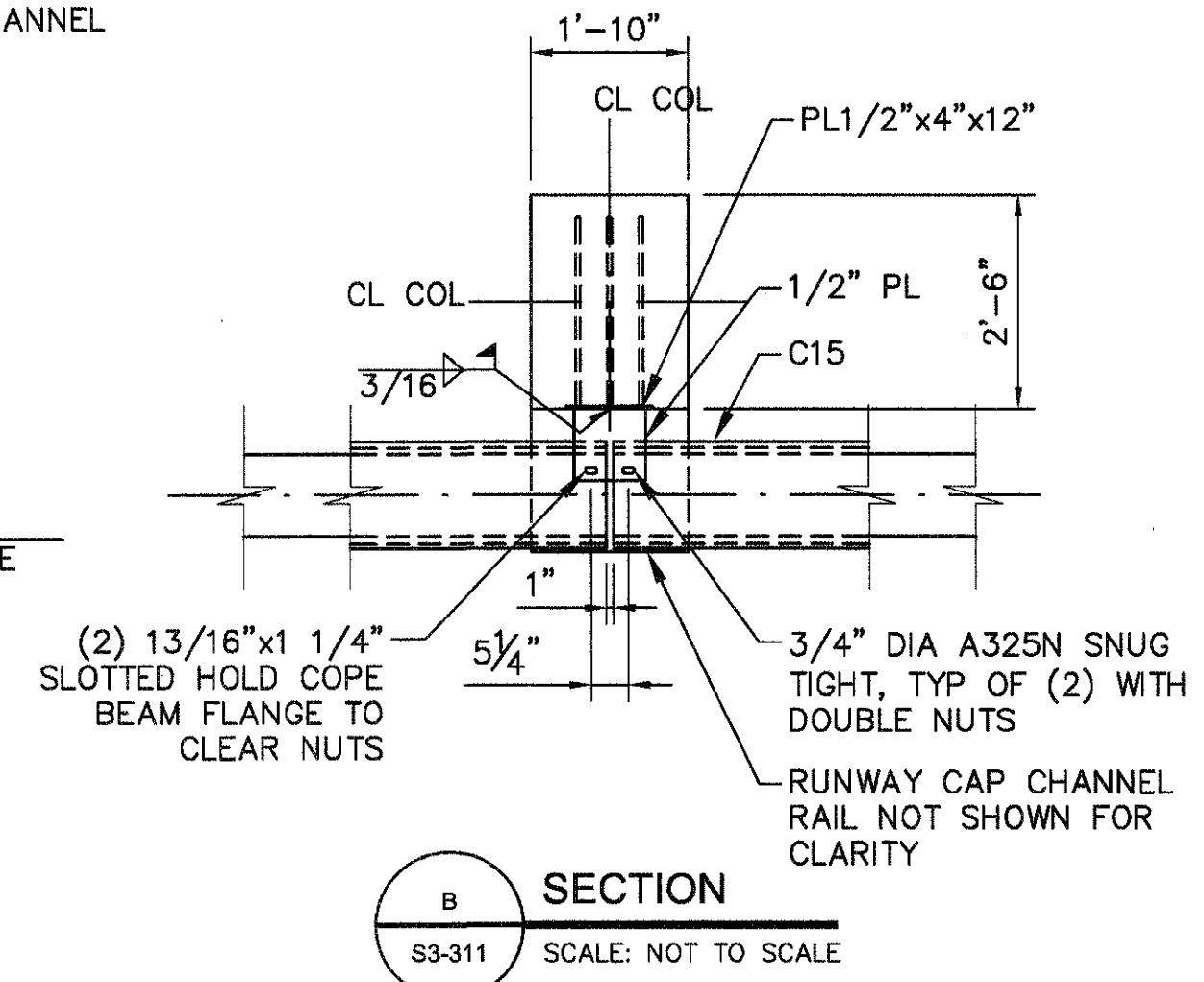
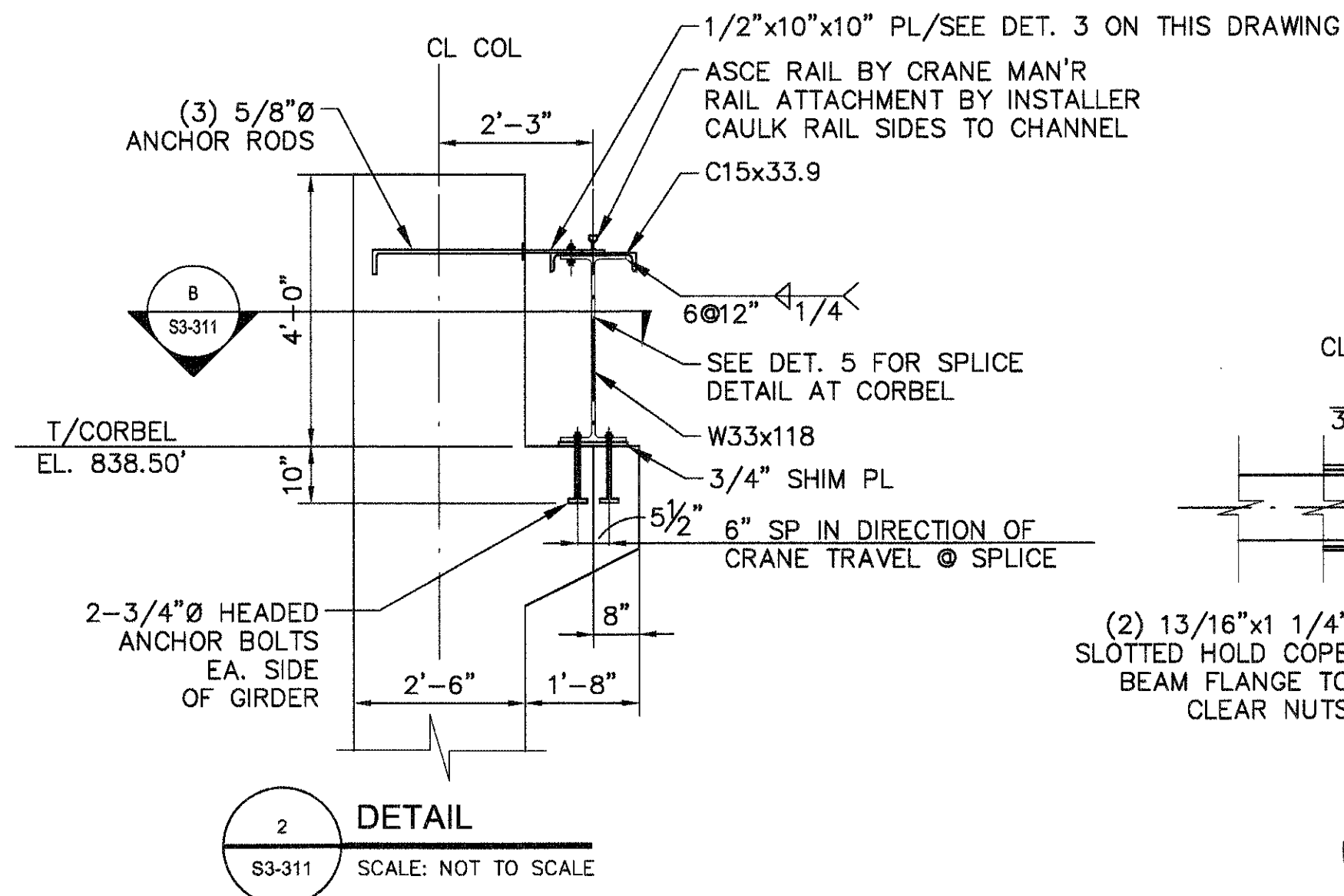
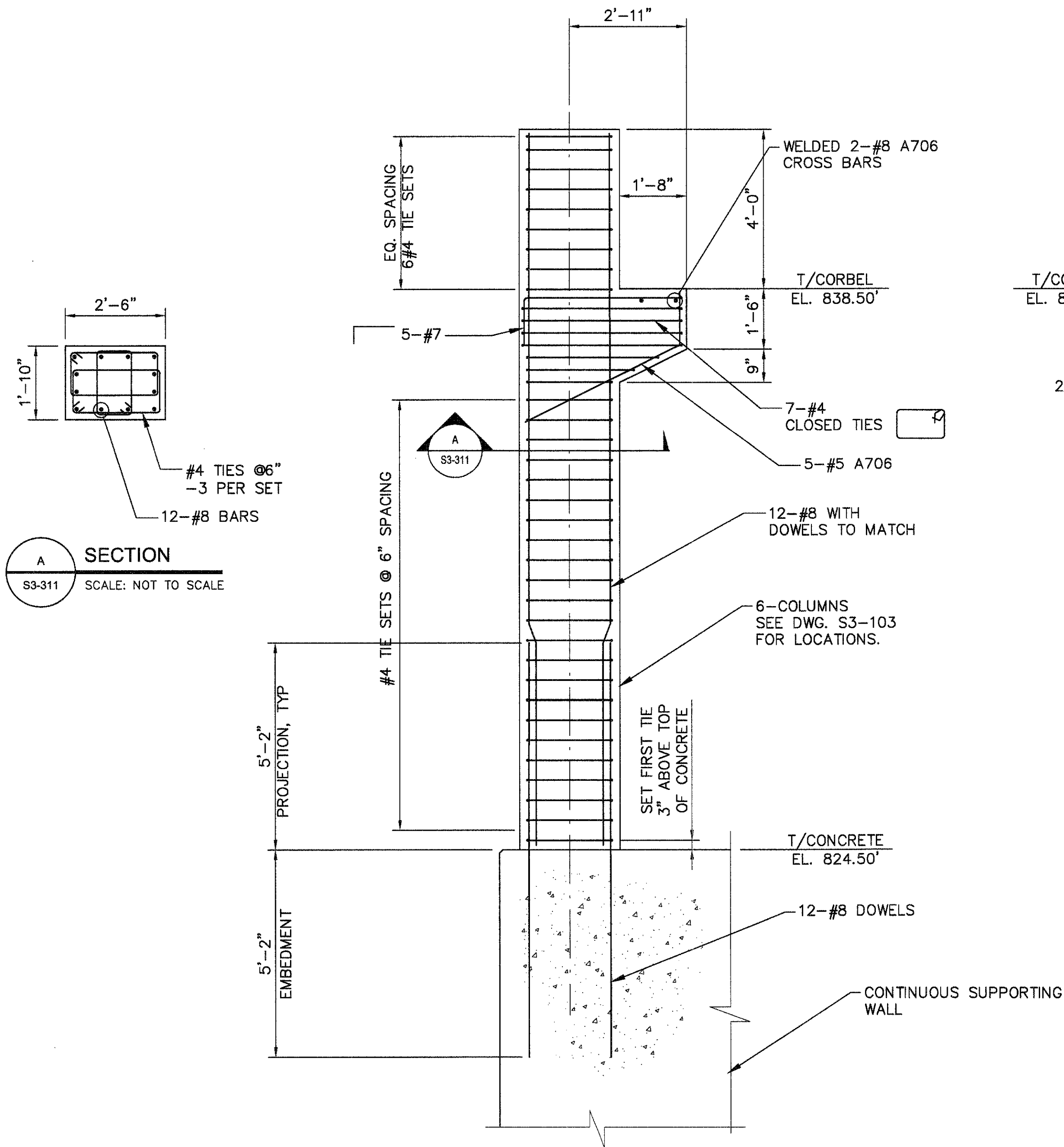
E

D

C

B

A



PEACHTREE CREEK SOUTH FORK
RELIEF STORAGE AND PUMPING STATION

CITY OF ATLANTA

DEPARTMENT OF WATERSHED MANAGEMENT

REV	DATE	DESCRIPTION
0	10/29/12	100 PERCENT BID PACKAGE

THIS LINE IS ONE INCH LONG WHEN PLOTTED FULL SCALE

THIS DRAWING MUST BE USED IN CONJUNCTION WITH THE APPLICABLE OR GOVERNING TECHNICAL SPECIFICATIONS AND OTHER CONTRACT DOCUMENTS.

PROJECT NO: FC-6260
DATE: OCTOBER 2012
RESP PROF: FT DESIGNER: FT CHECKER: DSF

SHEET TITLE
STRUCTURAL
03 - DIVERSION PUMP STATION
CRANE SUPPORT DETAILS

SHEET NO. S3-311 REV. 0