

1 2 3 4 5 6 7 8

F

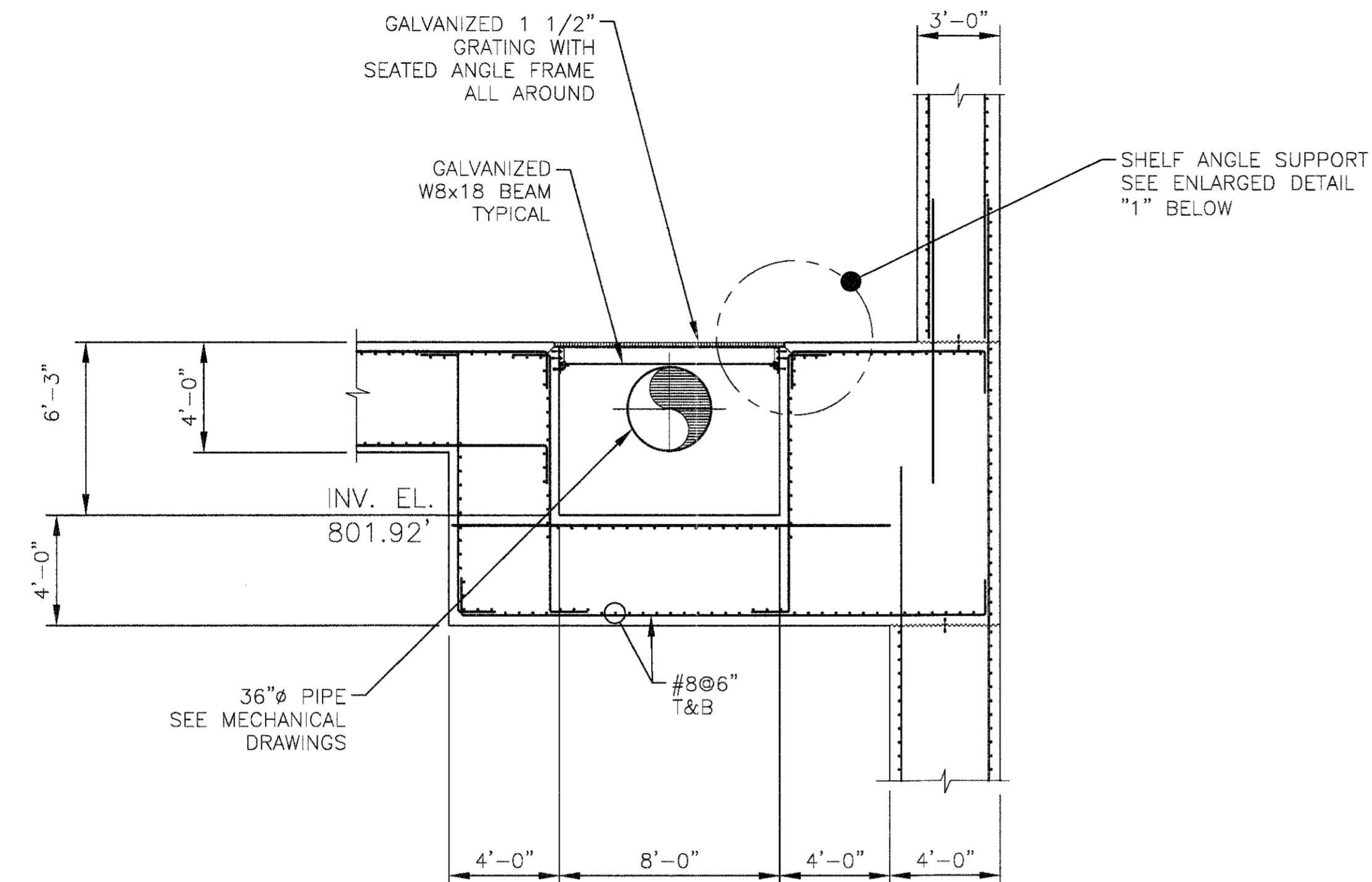
E

D

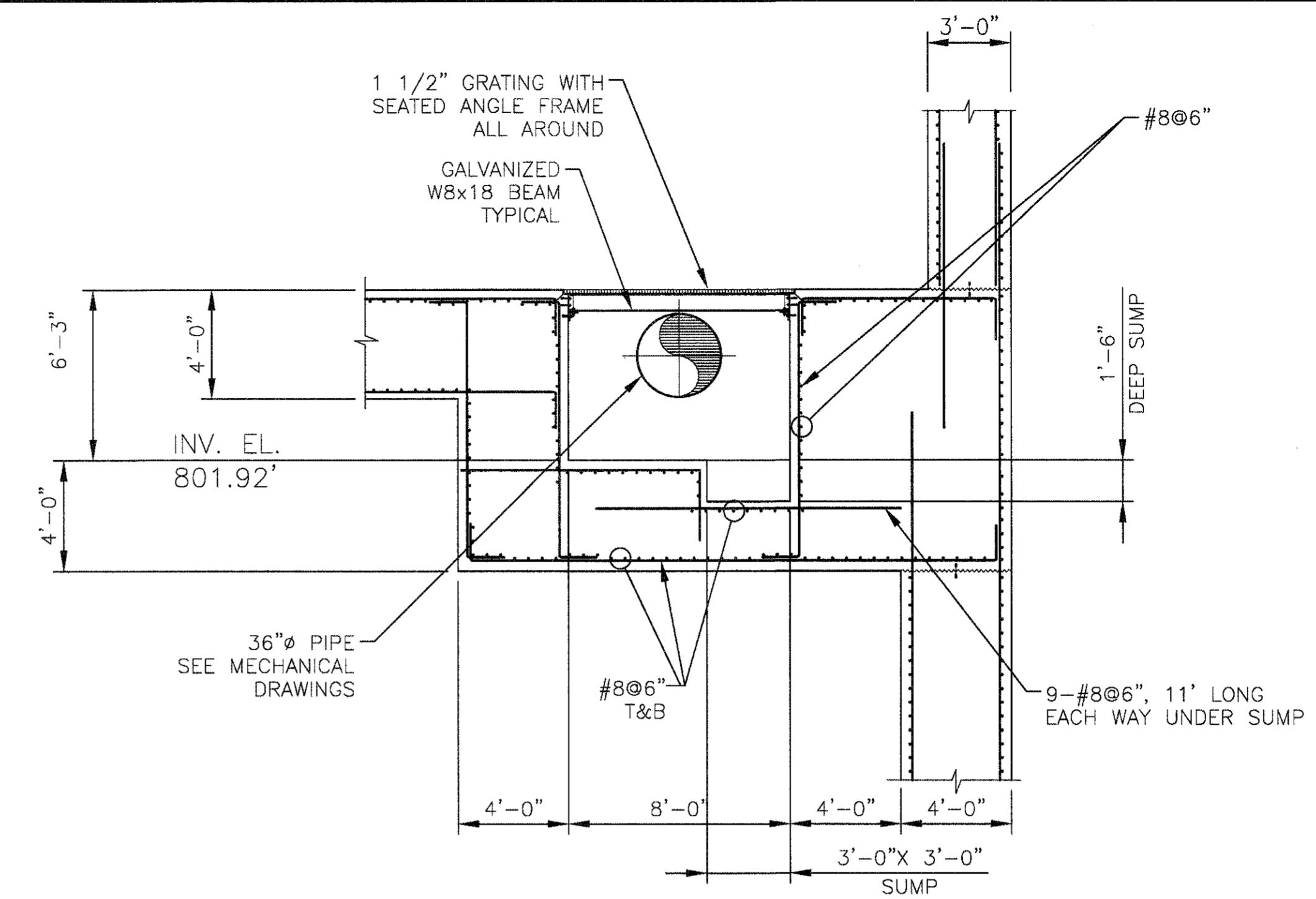
C

B

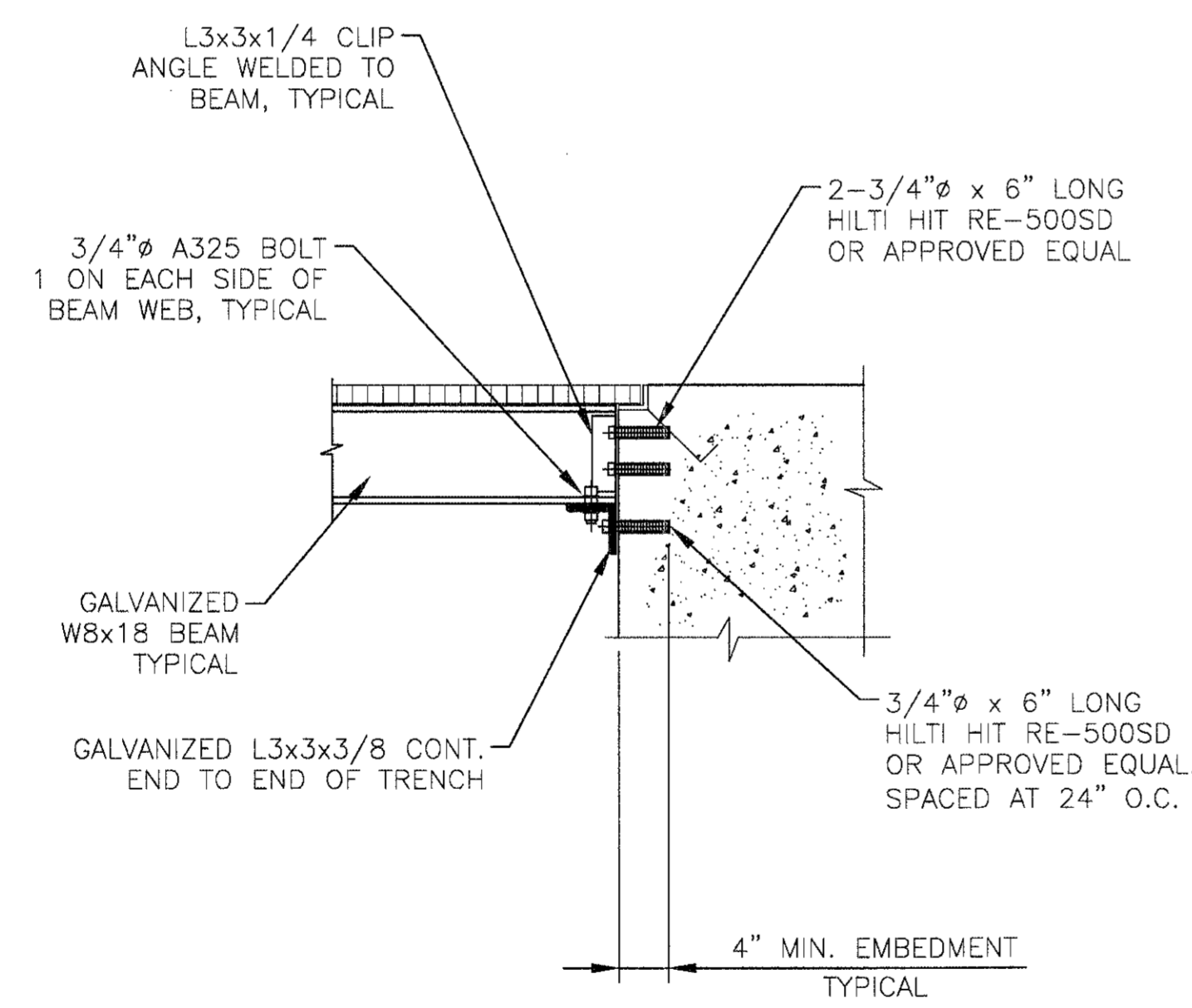
A



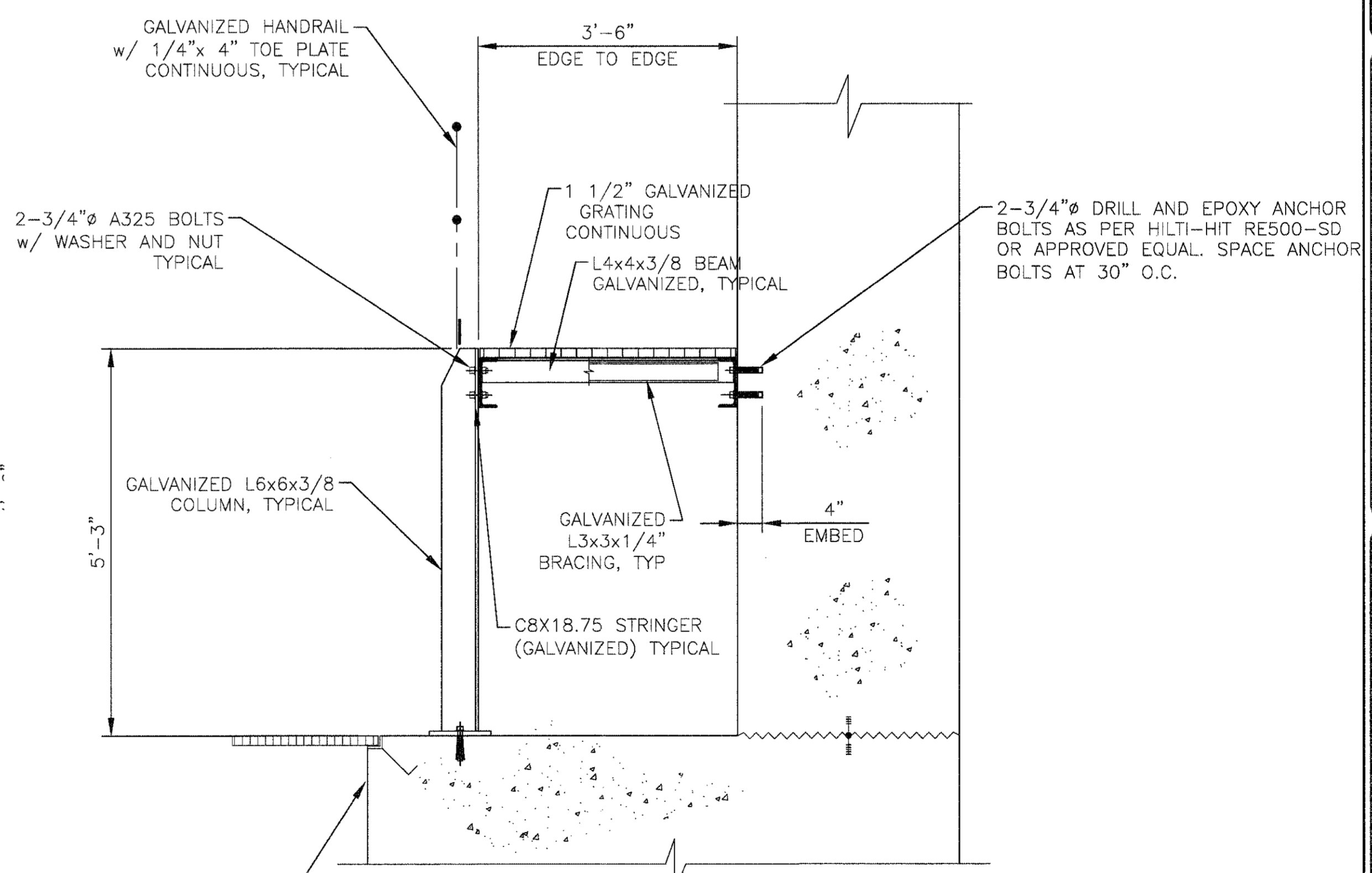
H SECTION
S3-308 SCALE: 1/4" = 1'-0"



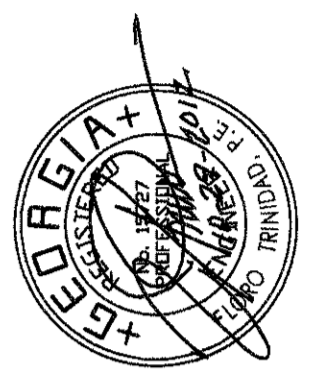
J SECTION
S3-308 SCALE: 1/4" = 1'-0"



1 ENLARGED DETAIL
S3-308 SCALE: NOT TO SCALE



I SECTION
S3-308 SCALE: 1/2" = 1'-0"



PEACHTREE CREEK SOUTH FORK
RELIEF STORAGE AND PUMPING STATION
CITY OF ATLANTA
DEPARTMENT of WATERSHED MANAGEMENT

REV	DATE	DESCRIPTION
0	10/28/12	100 PERCENT BID PACKAGE

THIS LINE IS ONE INCH LONG WHEN PLOTTED FULL SCALE.
THIS DRAWING MUST BE USED IN CONJUNCTION WITH THE APPLICABLE OR GOVERNING TECHNICAL SPECIFICATIONS AND OTHER CONTRACT DOCUMENTS.
PROJECT NO: FC-6260
DATE: OCTOBER 2012
RESP PROF: FT DESIGNER: FT CHECKER: DSF
SHEET TITLE: STRUCTURAL
03 - DIVERSION PUMPSTATION
SECTIONS
SHEET NO: S3-308 REV: 0