

1 2 3 4 5 6 7 8

F

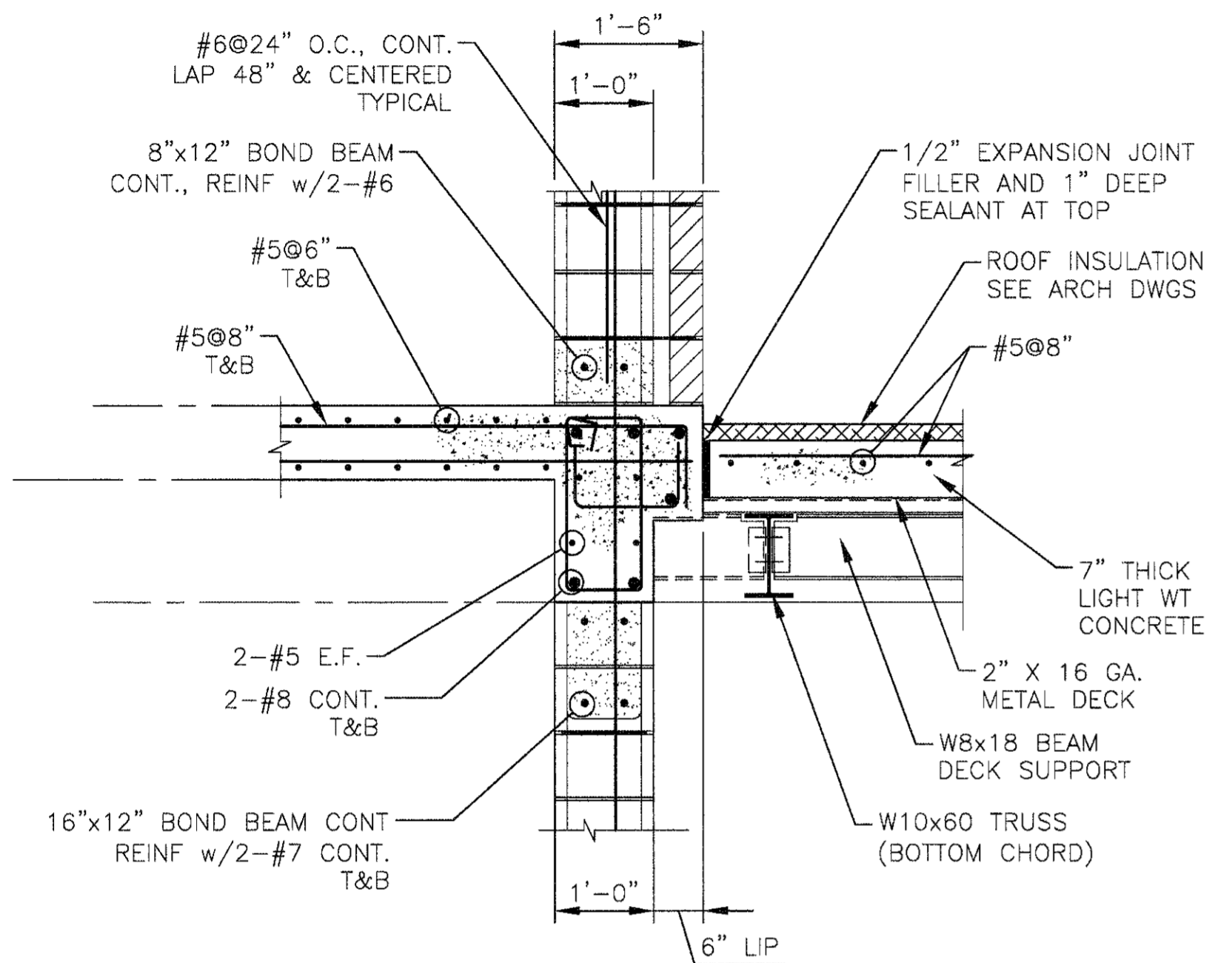
E

D

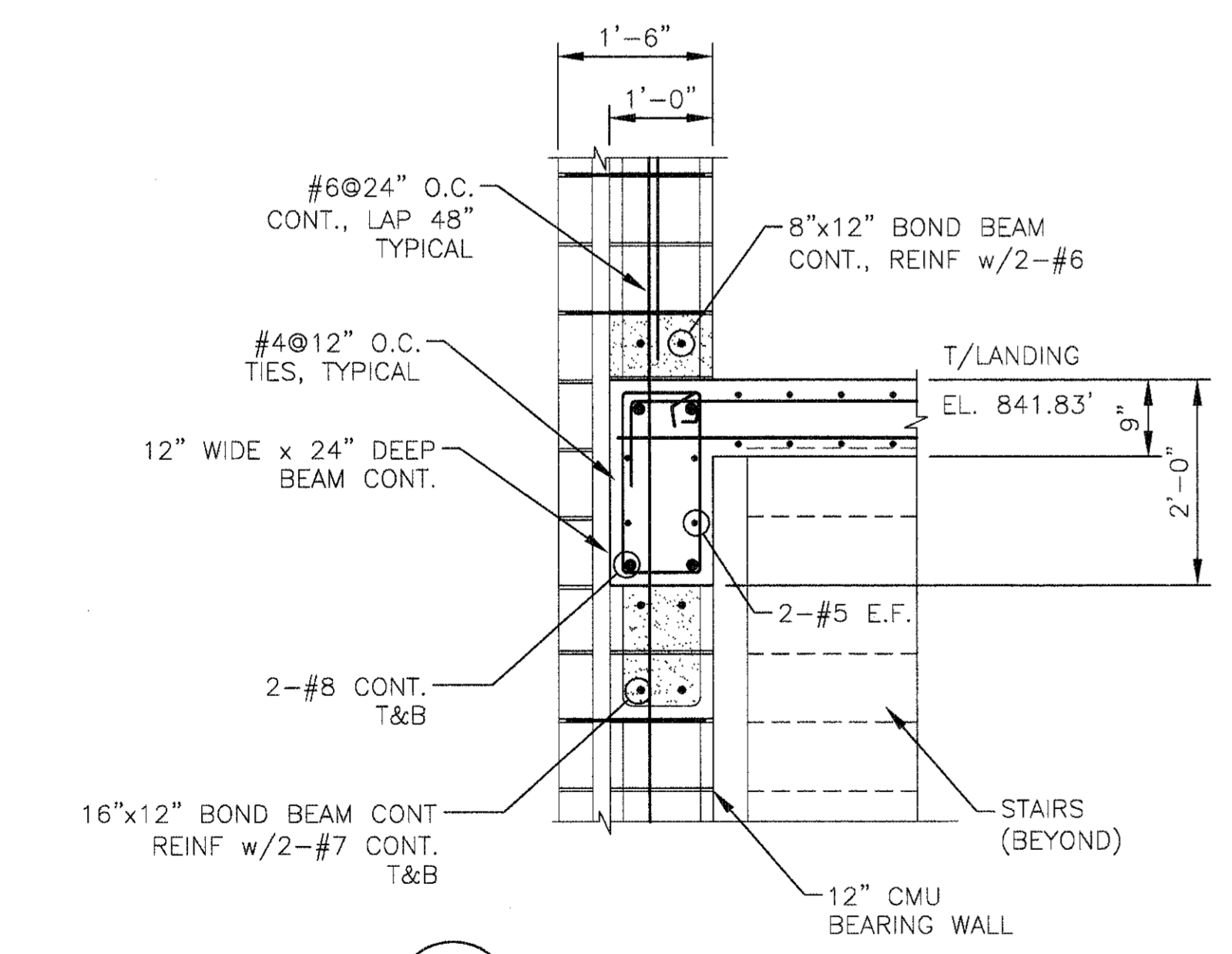
C

B

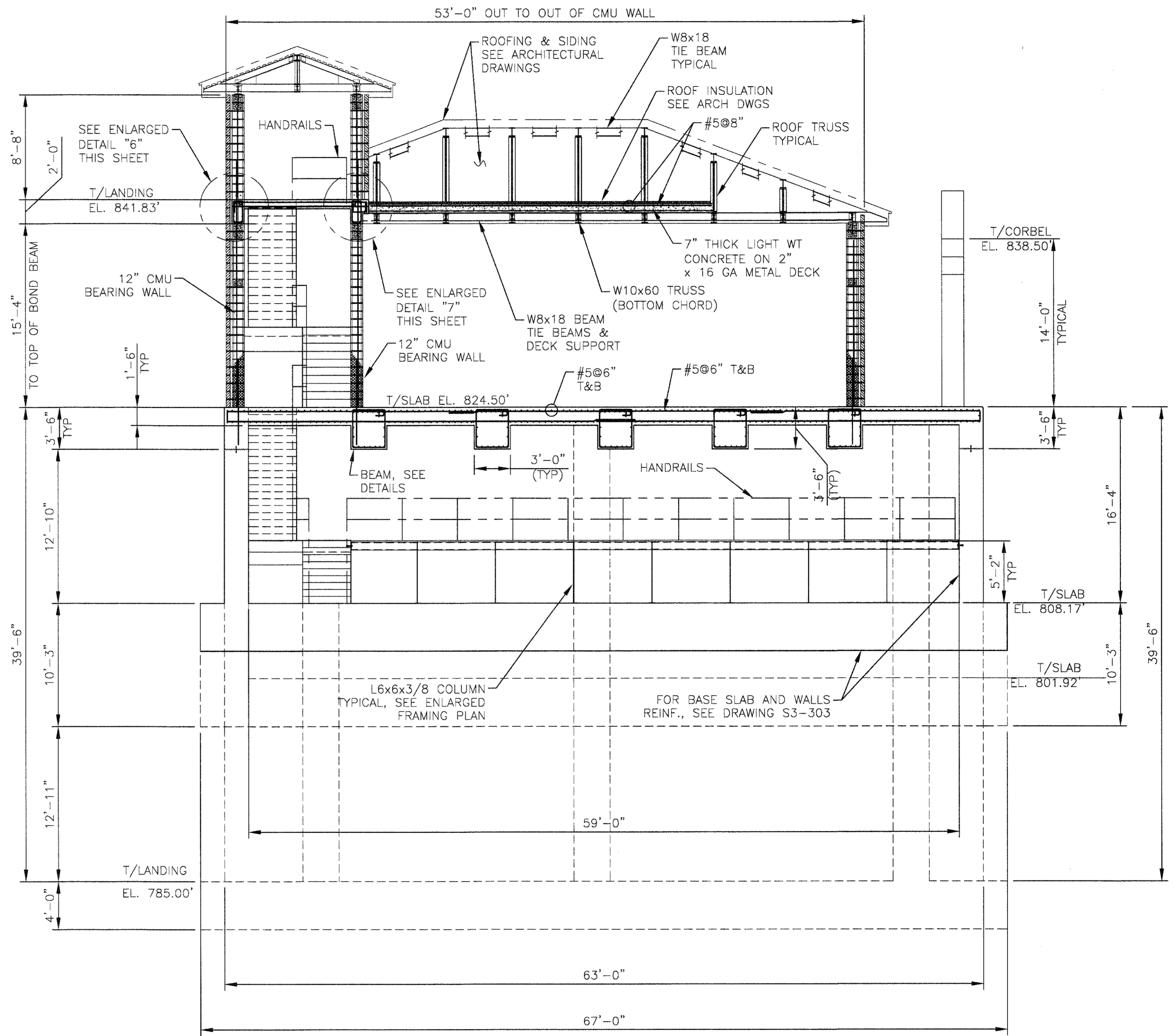
A



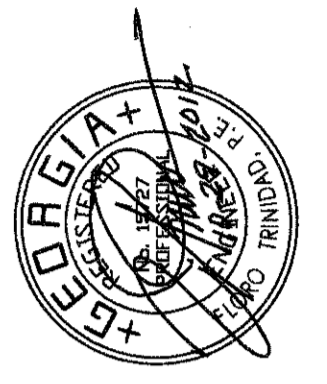
**7 DETAIL**  
S3-307 SCALE: NOT TO SCALE



**6 DETAIL**  
S3-307 SCALE: NOT TO SCALE



**G SECTION**  
S3-307 SCALE: 3/16" = 1'-0"



PEACHTREE CREEK SOUTH FORK  
RELIEF STORAGE AND PUMPING STATION



DEPARTMENT OF WATERSHED MANAGEMENT

REV	DATE	REVISION DESCRIPTION

THIS LINE IS ONE INCH LONG WHEN PLOTTED FULL SCALE.

THIS DRAWING MUST BE USED IN CONJUNCTION WITH THE APPLICABLE OR GOVERNING TECHNICAL SPECIFICATIONS AND OTHER CONTRACT DOCUMENTS.

PROJECT NO: FC-6260  
DATE: OCTOBER 2012  
RESP PROF: FT DESIGNER: FT CHECKER: FT

SHEET TITLE  
STRUCTURAL  
03 - DIVERSION PUMP STATION  
SECTIONS

SHEET NO. S3-307 REV. ----