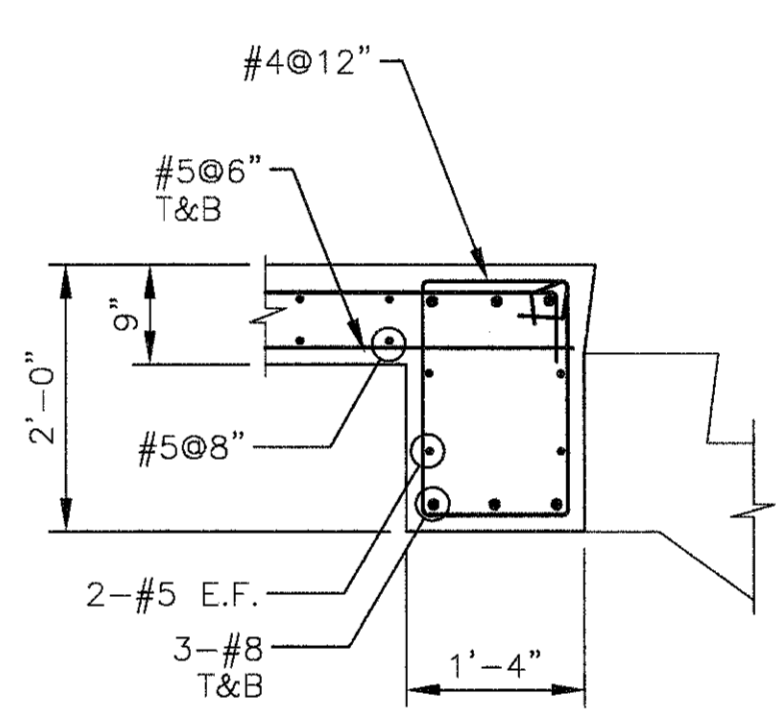
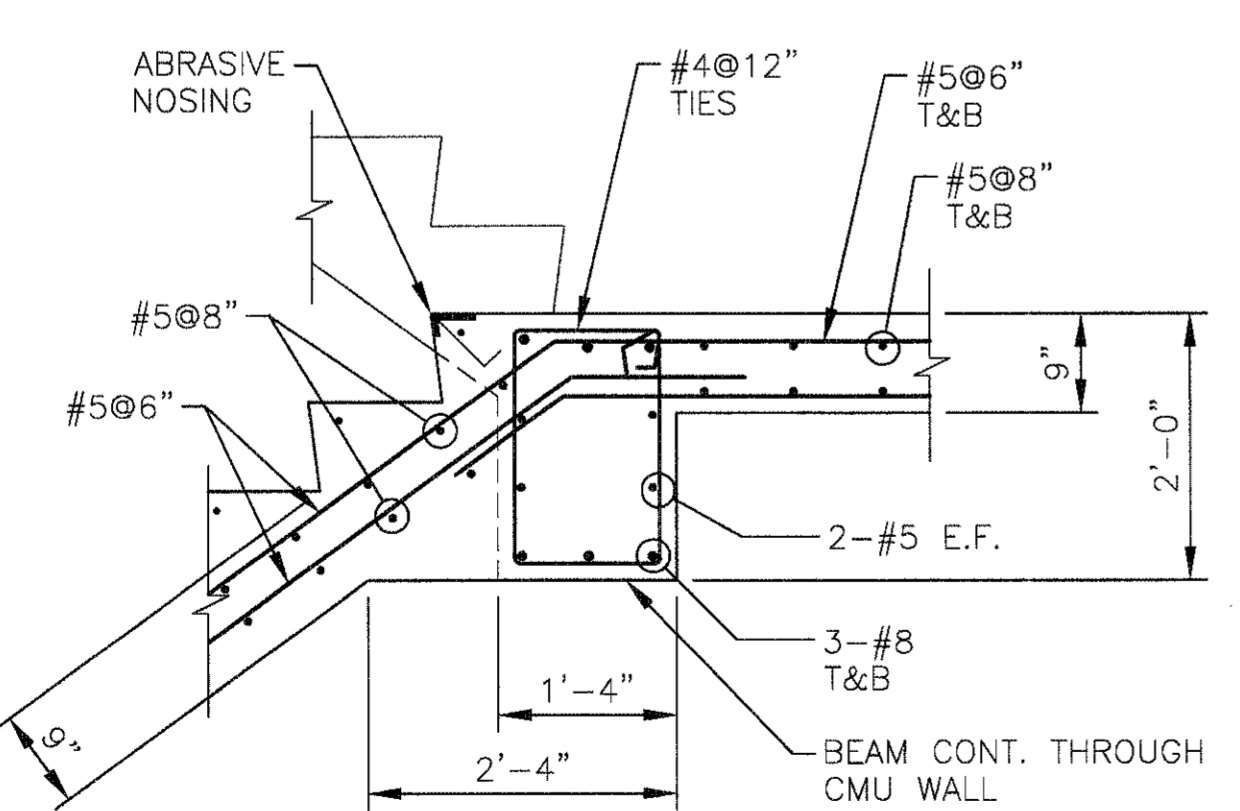


1 ENLARGED DETAIL
S3-305 SCALE: NOT TO SCALE

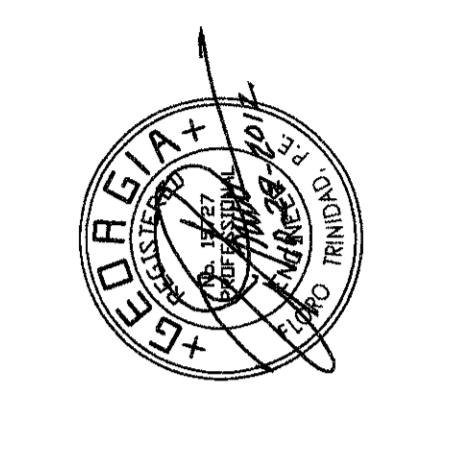
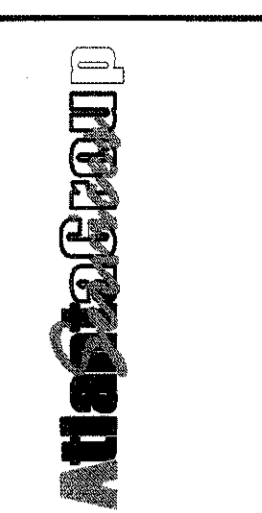


2 ENLARGED DETAIL
S3-305 SCALE: NOT TO SCALE



3 ENLARGED DETAIL
S3-305 SCALE: NOT TO SCALE

E SECTION
S3-305 SCALE: 3/16\" = 1'-0"



PEACHTREE CREEK SOUTH FORK
RELIEF STORAGE AND PUMPING STATION
CITY OF ATLANTA
DEPARTMENT OF WATERSHED MANAGEMENT

REV	DATE	REVISION DESCRIPTION

THIS LINE IS ONE INCH LONG WHEN PLOTTED FULL SCALE.
THIS DRAWING MUST BE USED IN CONJUNCTION WITH THE APPLICABLE OR GOVERNING TECHNICAL SPECIFICATIONS AND OTHER CONTRACT DOCUMENTS.
PROJECT NO: FC-6260
DATE: OCTOBER 2012
RESP PROF: FT DESIGNER: FT CHECKER:
SHEET TITLE: STRUCTURAL
03 - DIVERSION PUMP STATION
SECTION
SHEET NO. S3-305 REV. ----