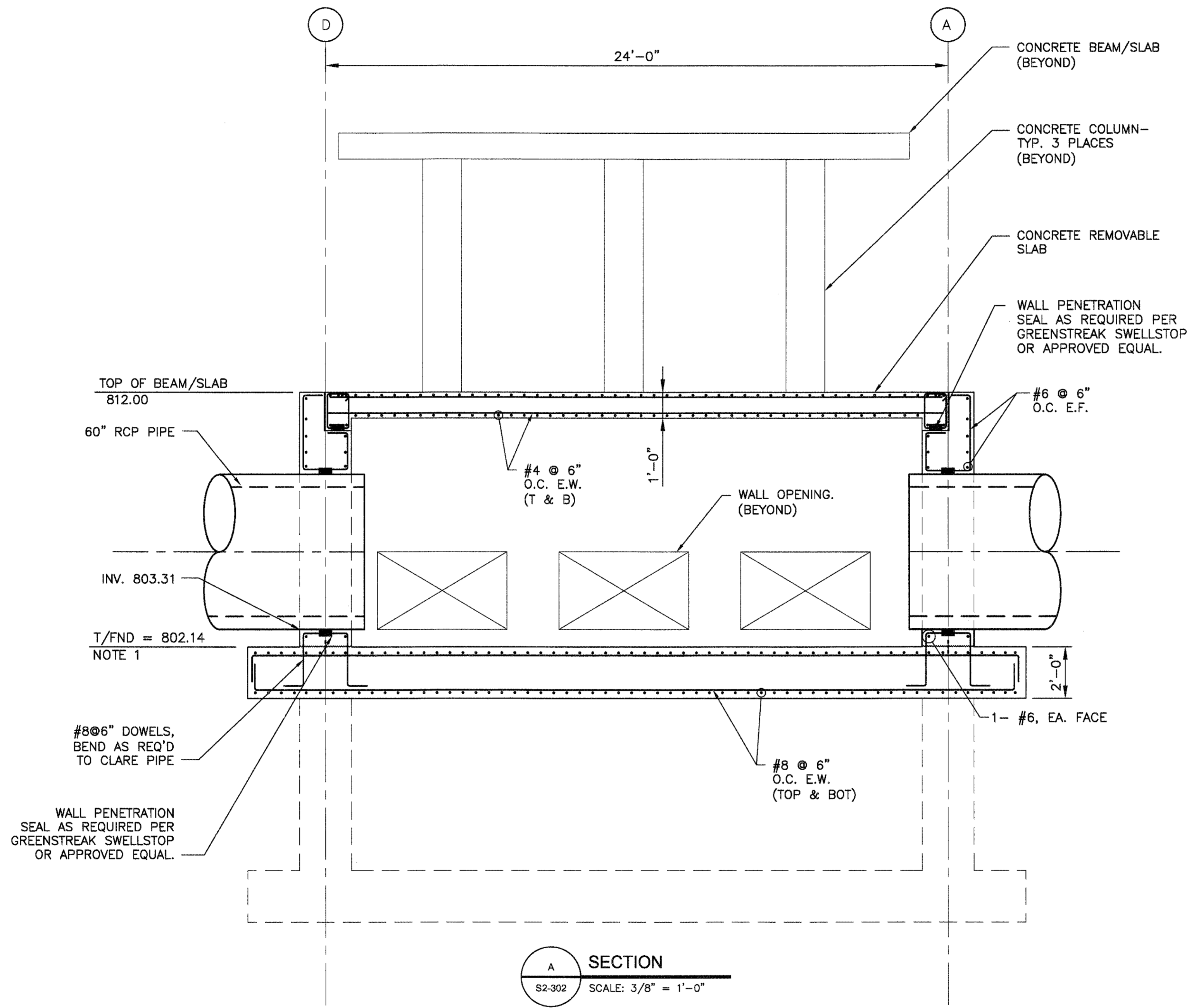


1 2 3 4 5 6 7 8

F  
E  
D  
C  
B  
A



PEACHTREE CREEK SOUTH FORK  
RELIEF STORAGE AND PUMPING STATION

CITY OF ATLANTA  
DEPARTMENT of WATERSHED MANAGEMENT

REV	DATE	REVISION DESCRIPTION
0	10/28/12	100 PERCENT BID PACKAGE

THIS LINE IS ONE INCH LONG WHEN PLOTTED FULL SCALE

THIS DRAWING MUST BE USED IN CONJUNCTION WITH THE APPLICABLE OR GOVERNING TECHNICAL SPECIFICATIONS AND OTHER CONTRACT DOCUMENTS.

PROJECT NO: FC-6260  
DATE: OCTOBER 2012

RESP PROF: FT DESIGNER: NSH CHECKER: DSF

SHEET TITLE  
STRUCTURAL  
02 - DIVERSION STRUCTURE  
SECTIONS

SHEET NO. S2-302 REV. 0